

1815 Hood Light Fixture

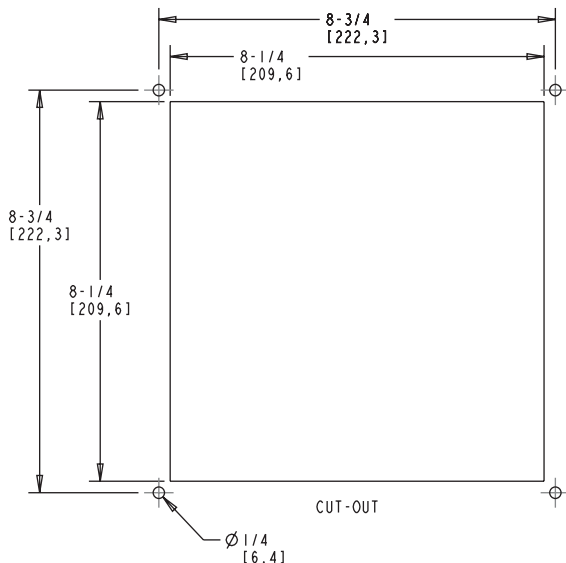
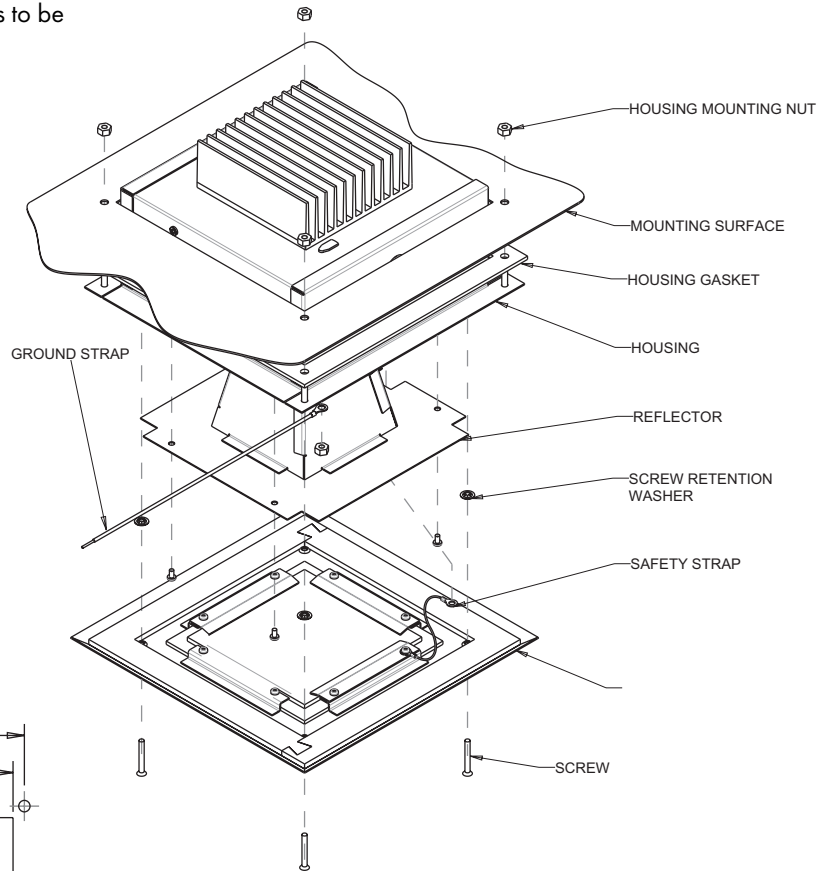
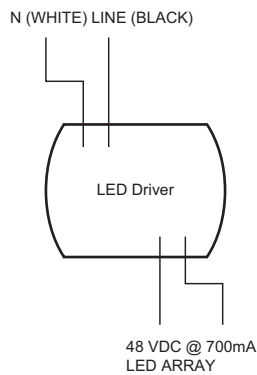
Part Number: 11815000010

1. Disconnect all power to the supply leads
2. Cut hole in hood in the pattern shown
3. Remove display lens and reflector
4. Install supplied 1/2" conduit fitting in desired knockout
5. Position housing gasket onto housing mounting studs
6. Insert the fixture into hole and install with #10-24 mounting nuts (supplied by others)
7. Make all electrical connections.* All supply wires to be suitable for 90°C
8. Install reflector and safety strap
9. Install display lens

Fixture is to be installed NO less than 4 feet (1.2M) above cooking surface.

Install with minimum spacings between:

- a. Center-to-center of adjacent luminaries: 610mm (24in)
- b. Top of luminaire to overhead member: 305mm (12in)
- c. Luminaire center to side building member: 152mm (6in)



CAUTION: High Surface Temperatures: Install only where the fixture is no mounted on a or adjacent to combustible materials

ATTENTION: Surfaces tres chaudes: Nes pas installer cet appariel d'eclairage a proximite d'une surfaceible in sur cette derniere

Specifications:

Watertight - Etanche
Input Volts: 100 - 277 VAC
Frequency: 50/60 Hz

*Note: All wiring must comply with the national electric code