



Project Name _____

Location _____

IDN# _____ Quantity _____

Catalog# _____

1815 Hood Light LED Fixture

Part Number: 11815000010

FEATURES

- Listed for up to 167° F (75° C) operation
- 1150 total lumens
- 54 lumens/watt- Exceeds Federal Energy Act requirement.
- Meets all requirements of NFPA 96 and NEC 410
- 80% of all available light projected onto work surfaces
- Warm 3000K color temperature, perfect for food applications
- Integral heat sink to eliminate internal heat
- No ultraviolet emission: Does not attract insects
- 5-year limited warranty of fixture

SPECIFICATIONS

- cULus Listed
- RoHS compliant and NSF listed
- Housing: Painted galvanized steel
- Lens: Stainless steel with tempered glass
- Power: 110-277VAC at 50/60Hz (line voltage)
- Output Wattage: 22W
- Power Supply Rating: 0.5 AMPS @ 120V



Model No.	Description	Qty/ Carton
11815000010	LED Hood Light Fixture	1

Approvals

Date



Project Name _____

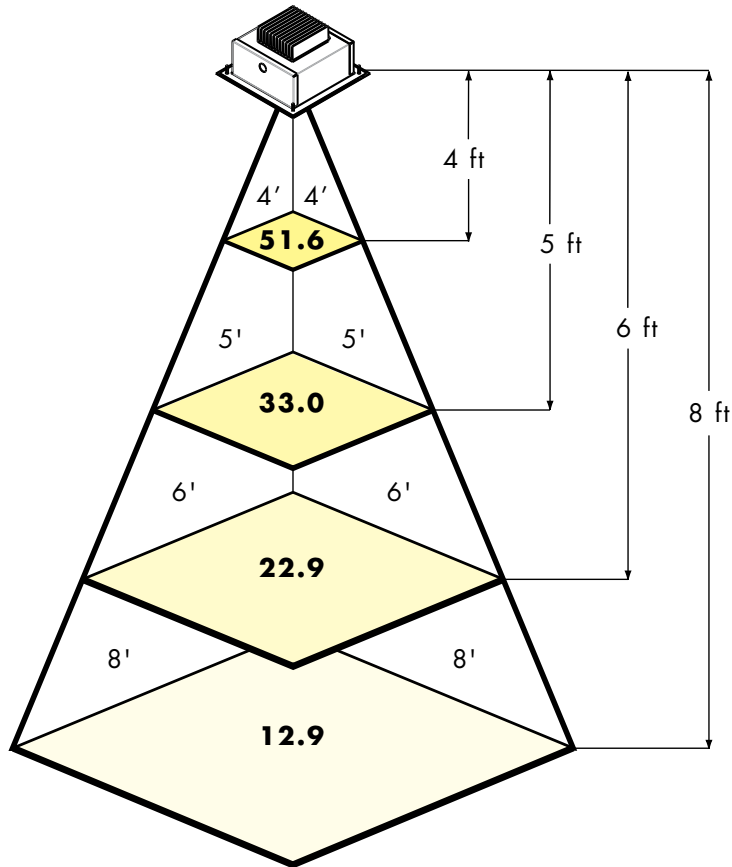
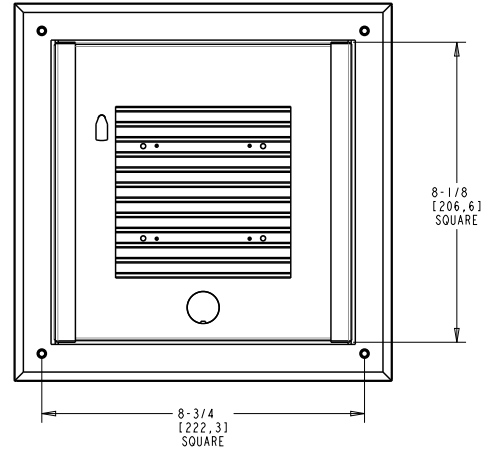
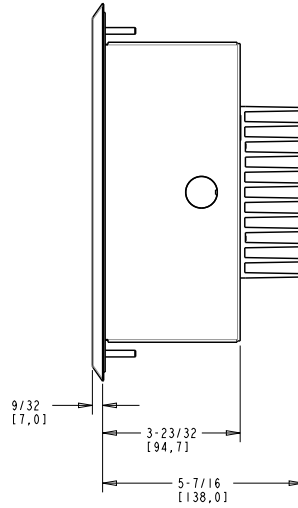
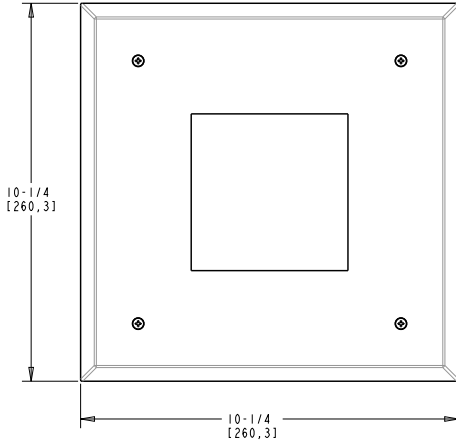
Location _____

IDN# _____ Quantity _____

Catalog# _____

1815 Hood Light LED Fixture

Part Number: 11815000010



Approvals _____

Date _____