

## Easimount® Vinyl Strip Curtain System Part Number: SA/LA#####

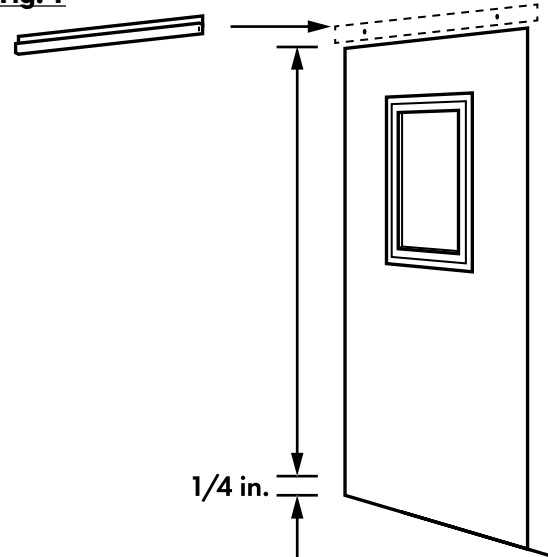
### Required Materials

Easimount® Vinyl Strip Curtain System  
Drill with drill bits and Phillips head bit/screwdriver  
Marking instrument

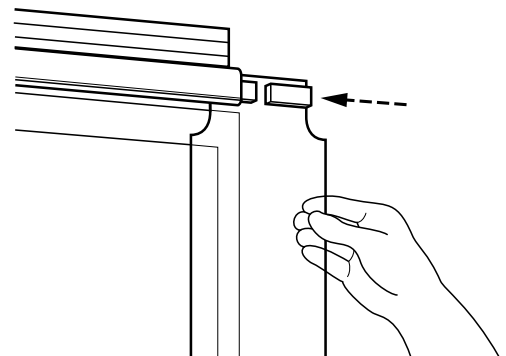
1. Using the aluminum channel as a template, make sure channel is level and centered above opening. Bar height should allow strips to clear floor 1/4" (**Fig. 1**). Mark hole patterns with pencil.
2. Drill holes and mount channel with proper fasteners.  
*\*For flush mount freezer doors, shim aluminum channel off jamb 1/4" to increase space between vinyl strips and freezer door. (see below)*
3. Insert one end cap at either end of channel.
4. Insert strips through un-capped end of channel (**Fig. 2**).
5. After verifying that all strips are evenly placed and overlapping properly, insert other end cap and trim strips if needed for proper floor height (**Fig. 3**).
6. Optional: Insert self-tapping screws at each end of channel through last strip for added retention.

\*\*CLEANING: We recommend cleaning vinyl curtains with soap and water on a regular basis. For stubborn stains use a 5% ethanol (Windex type product) and water. Wipe curtain dry. Mop up any residual water on the floor.\*\*

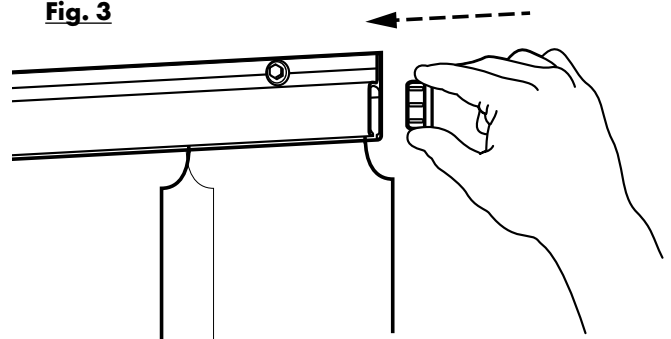
**Fig. 1**



**Fig. 2**



**Fig. 3**



**GreenGuard®**

