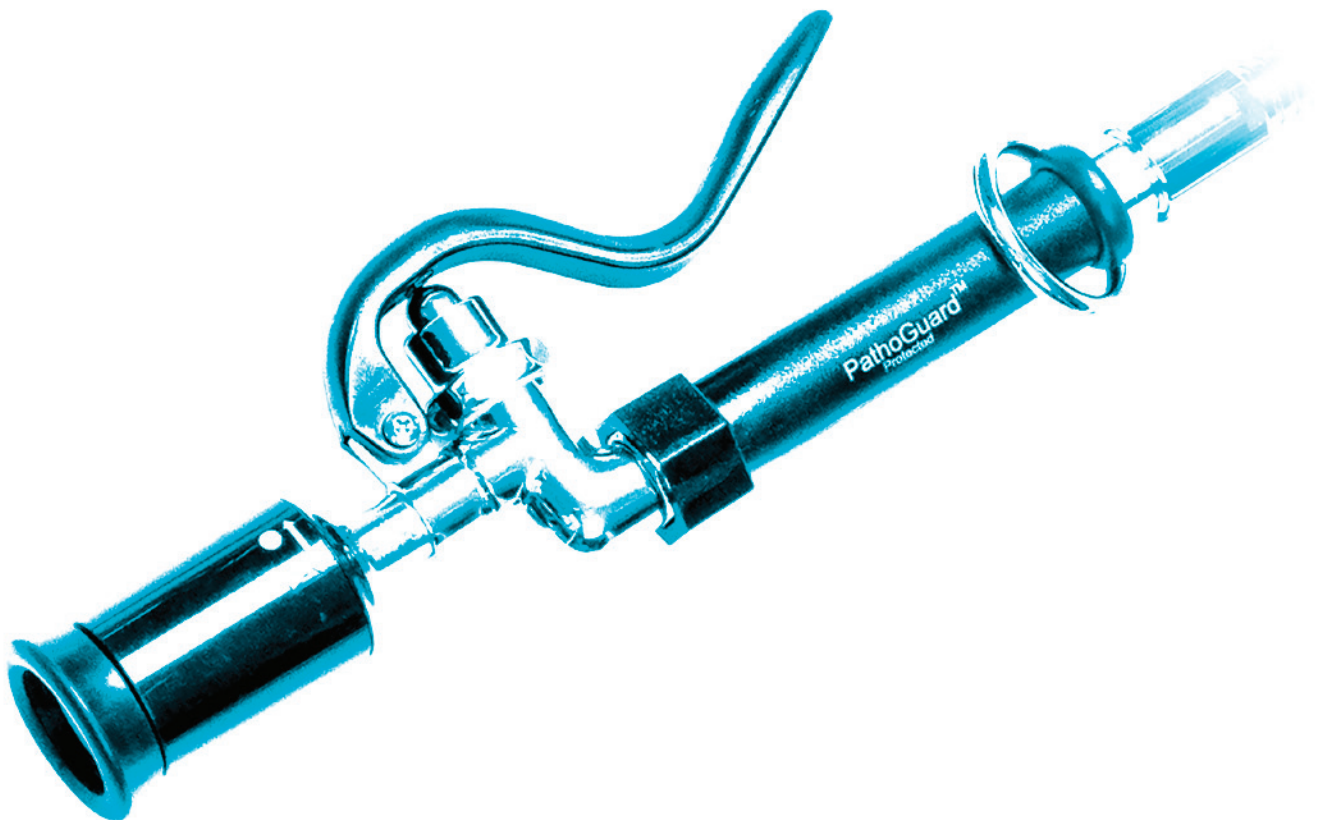




It's Better with Kason.

Plumbing Catalog

1.800.935.2766 | kasonind.com



The Kason Mission

To Protect your Product Integrity

Our customers go to great lengths to build top-of-the-line coolers, freezers, foodservice equipment, industrial enclosures and delivery vans. Our goal is to preserve your product integrity by providing the highest quality door hardware and accessories for both original equipment and replacement applications.

End users need to protect products and processes, and lower operating costs. Their first line of defense is stable, airtight enclosures with doors that open with ease and close securely.

Since 1926, Kason has promised and delivered just that. Kason's extensive lines of walk-in and reach-in door hardware satisfy the most demanding requirements. Demonstrate the value of your products with the most innovative, dependable and longlasting hardware in the business.

Research and Testing

Every Kason product must fulfill our customers' requirements. Before we develop a new product, we research the needs of both our industry and end users. We are never satisfied with the status quo. Our dedicated research and development staff continually search for pioneering design concepts. They insist on engineering integrity, extensive product testing and precise, in-line quality control. That is how we have developed such successful and trustworthy products as SafeGuard® inside releasing safety latches, Pacesetter handles and hinges, stainless steel hinges and latches and truck door handles with removable cylinder locks.

Creative Concepts

Leading equipment manufacturers turn to Kason when they want a unique look of their own. We will adapt a stock product, design custom hardware or partner with your design engineers to develop a signature appearance just for your products. Building special and customized hardware is routine at Kason.

Quality

Kason production facilities boast state-of-the-art installations, featuring fully automated die-casting, polishing and electroplating, as well as a full range of electronically controlled and robotic machinery. We require the finest raw materials, accurate machine tolerances and the highest level of Finishing. Skilled, experienced people maintain the Kason tradition of production excellence. Our unremitting commitment to superior manufacturing assures you consistently high quality products at the lowest possible cost. Quality assurance is integrated into every step of Kason operations to from engineering research and development through packaging and shipping.

Service

The lifeline to all your foodservice needs is our efficient and friendly Customer Service Department. A representative can quickly track product availability or the status of your order with our computerized inventory and order control system. Count on dependable global delivery as we serve you from Kason distribution centers in the continental United States and Canada as well as through authorized distributors throughout the world.

Our Promise

Satisfying your needs is our top priority. That is why Kason supplies you with hardware and accessories that reflect the same quality you demand in your own products. We strive to demonstrate an attitude that makes you want to do business with us. At Kason we offer a tradition of excellence, a philosophy of innovation and the most trusted name in specialty commercial hardware.

Contacts

USA Sales & Distribution Centers

1.800.93KASON (800.935.2766)

Kason Industries, Inc.

Global Headquarters

57 Amlajack Boulevard | Newnan, GA 30265-1015, USA
800.935.3550 | FAX: 770.251.4854
Info@kasonind.com

Kason Foodservice Division

31 Amlajack Boulevard | Newnan, GA 30265-1015, USA
866.231.2157 | FAX: 770.252.8397
FoodService@kasonind.com

Kason International Division

57 Amlajack Boulevard | Newnan, GA 30265-1015, USA
770.304.3000 | FAX: 770.251.4854
International@kasonind.com

Kason Vinyl Division

31 Amlajack Boulevard | Newnan, GA 30265-1015, USA
800.472.7450 | FAX: 770.252.8397
Vinyl@kasonind.com

Kason Canada Branch

226 Industrial Pkwy North, Unit 2 | Aurora, Ontario, L4G 4C3, Canada
905.713.6515 | FAX: 905.713.6518
Canada@kasonind.com

Kason Central Branch

8889 Whitney Drive | Lewis Center, OH 43035-7106, USA
740.549.2100 | FAX: 740.549.0701
Central@kasonind.com

Kason Mid-America Branch

1239 Atlantic Avenue | Kansas City, MO 64116-4141, USA
816.472.7450 | FAX: 816.472.8580
MidAmerica@kasonind.com

Kason Western Branch

1500 East Wooley Road, Suite E
Oxnard, CA 93030-7385, USA
805.247.1088 | FAX: 805.247.1164
Western@kasonind.com

Catalog Icons



Walk-In



Casters & Caster Legs



Vinyl



Plumbing



Sliding Doors



Cabinet & Cafeteria



Lighting & Electrical



Canopy Hood



Reach-In



Fabrication Supplies



Equipment Legs



Truck Body

00TJ Toilet Jack	336	0456KL8000 Series 8" Deck Mount Faucets.....	320
0450KL2100 Series Electronic Faucets	314	0457KL0007 Replacement Valve, Hot	
0451-8600 Series Service Sink Faucets	315	0457KL0008 Replacement Valve, Cold	322
0451KL0015 Classic Pre-Rinse Spray Valve Assembly (1.2 GPM)....	302	0457KL4000 Series 4" Wall Mount Faucets	321
0451KL0016 O-Ring Set for Swivel Spout.....	323	0458-1200 Convertible Outlet with Optional Overflow.....	328
0451KL0020 Supply Inlet Kit.....	323	0458-5400 Convertible Twist Waste with Outlet	327
0451KL0021 Lever Handles Kit	323	0458-7034 Stainless Steel Waste Outlet Handle Support	327
0451KL0022 Cross Handles Kit	323	0458-7200 Economy Twist Waste	327
0451KL0023 Wrist Blade Handles Kit	323	0459 Series Sink Drains, Washers, and Locknuts.....	335
0451KL0024 Replacement Valve, Hot		0459 Sink Stoppers.....	335
0451KL0025 Replacement Valve, Cold.....	322	0460-2000 Series Nickel Plated Brass Overflow Tubes.....	336
0451KL0028/29/30	323	0463-2000 Series Basket Drains	332
0451KL0032 Two-Position Pre-Rinse Spray Valve Assembly (1.2 GPM)	302	0463-2010 Box Drain	334
0451KL-39 Mixing Valve	325	0463-2014 Flat Strainer Drain.....	333
0451KL-40 Mixing Valve	325	0463-2016 Box Drain	334
0451KL0044 Screen Aerator.....	323	0463-3008 Free Flow Drain.....	333
0451KL0700 Wall Mount Inlet Kit	322	0463-5000 Tailpieces.....	332
0451KL3000 Series Wall Mount Spout Bases.....	312	0464-0001 Swirl Inlet Kit.....	334
0451KL4400 Series 4" Low Profile Wall Mount Faucets	307	0465-100 Series Foot Operated Valves.....	316
0451KL5000 Add-on Faucets for Aquaware® Elite Spray Rinse Units.....	302	0465-200 Series Knee Operated Valves	316
0451KL6812 Wok Faucet	315	7504-202 Dipperwell Assembly	326
0451KL8000 Series 8" Wall Mount Faucet	305	Aquaware® Elite Faucet Spouts and Extensions.....	324
0451KL8500 8" Wall Mount Pre-Rinse	294	Aquaware® Elite Quality	292
0451KL8600 8" Wall Mount Two Position Pre-Rinse	296	Aquaware® Elite Replacement Faucet Parts.....	322
0451KL9000 Series Spout Extensions.....	302	Aquaware® Elite Replacement Faucet Parts.....	323
0452KL0700 Deck Mount Inlet Kit.....	322	Convertible Lever Waste with Overflow Assembly.....	330
0452KL1000 Series Double Pantry Faucets	310	Convertible Twist Waste with Overflow Assembly.....	329
0452KL1500 Double Pantry Pre-Rinse	299	Finest Quality, Low Lead Institutional Plumbing Fixtures Provide Dependable Operation and Long Wear	293
0452KL1600 Double Pantry Two Position Pre-Rinse	300	Gooseneck Swivel Spouts.....	324
0452KL2000 Series Single Pantry Faucets.....	311	Institutional Faucets.....	304
0452KL2500 Single Pantry Pre-Rinse.....	301	Pre-Rinse Unit Parts.....	303
0452KL3000 Series Deck Mount Spout Bases.....	313	Spout Extensions	324
0452KL4000 Series 4" Deck Mount Faucets.....	308	Swivel Spouts	324
0452KL4400 Series Low Profile 4" Deck Mount Faucets	309	Waste Outlet Parts and Kits.....	331
0452KL4500 4" Deck Mount Pre-Rinse	298		
0452KL8000 Series 8" Deck Mount Faucet	306		
0452KL8500 8" Deck Mount Pre-Rinse	295		
0452KL8600 8" Deck Mount Two Position Pre-Rinse.....	297		
0455KL0003 Supply Inlet Kit for 0455 Series Faucets.....	323		
0455KL0024 Replacement Valve, Hot			
0455KL0025 Replacement Valve, Cold	322		
0455KL8000 Series 8" Wall Mount Faucets	317		
0456KL2000 Series Deck Mount Single Pantry Faucets.....	318		
0456KL4000 Series 4" Deck Mount Faucets.....	319		



AQUAWARE
ELITE

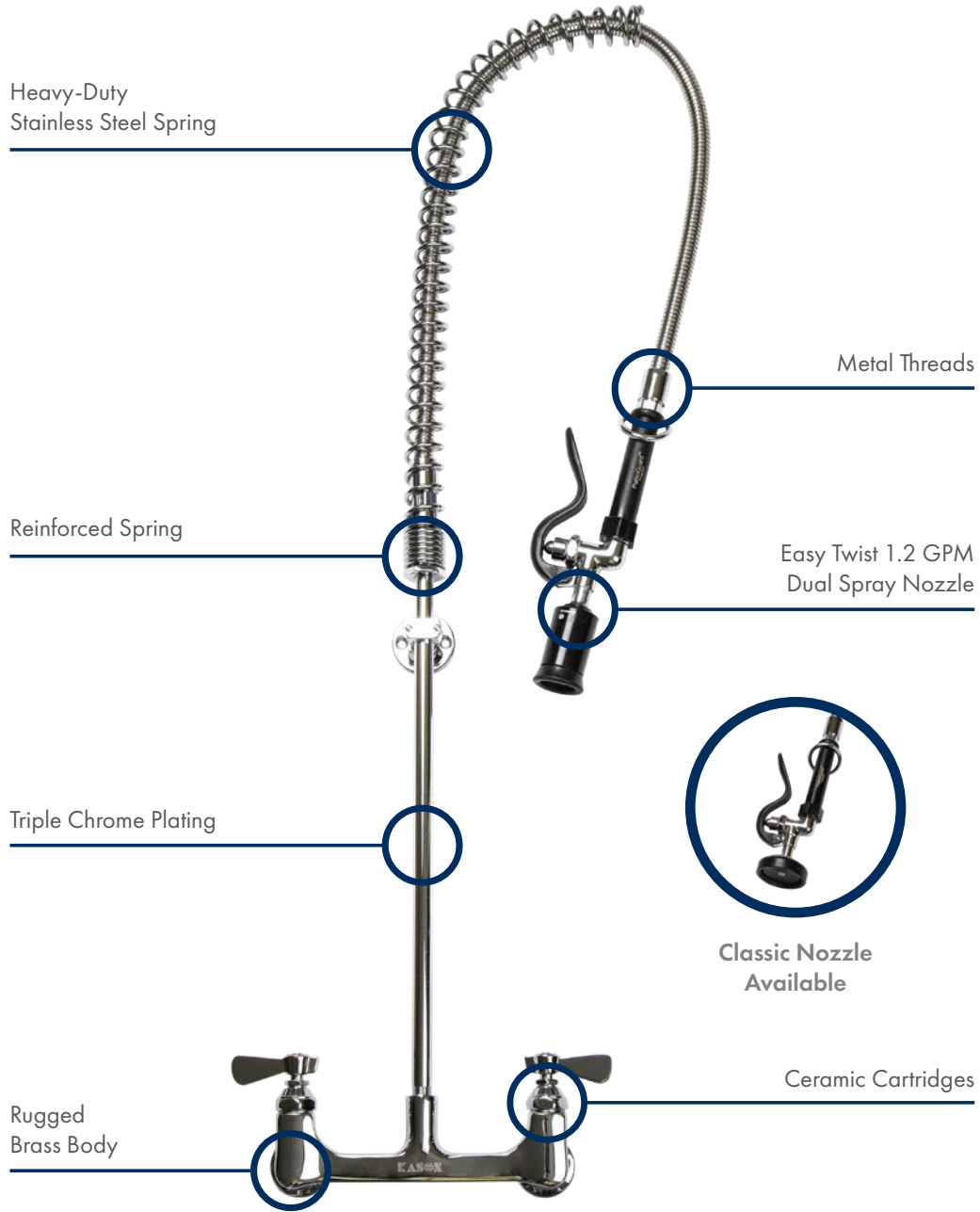
Aquaware Elite Promise

- Institutional quality, heavy-duty pre-rinse units, faucets and replacement parts
- Rugged low lead brass alloy with heavy triple chrome plated finish and stainless steel construction for long life and low maintenance.
- Standard ceramic cartridges
- Laminar flow regulators
- All units 100% leak and function tested
- Certified to NSF 61/9-G and ANSI/ASME A112.18.1/B-125 Mechanical, ADA compliant
- Every Aquaware Elite product is delivered with the Kason quality promise and our 2-year limited warranty
- Count on Kason Foodservice to provide efficient, personalized customer service and dependable delivery

Value of NSF Listing

- U.S. Safe Drinking Water Act requires faucets to meet the lead requirements of NSF/ANSI Standard 61
- All Kason faucets and pre-rinse assemblies are certified by NSF International to this standard
- NSF is the premier, independent, third-party certifier of products affecting public health safety, fitness for use and environmental quality
- NSF is accredited by the American National Standards Institute (ANSI) and the Standards Council of Canada (SCC)
- NSF product certification to Annex G (low lead content) takes into consideration the worst-case potentials for lead content. This is achieved by incorporating the maximum lead content potential for each component and is determined through the material specification used. For example, the lead content specifications for Low lead brass alloys like brass are often provided as a range. It is the maximum value of that range that is used in calculation of weighted average lead content





AQUAWARE[®]

E L I T E



0451KL8500 8" Wall Mount Pre-Rinse



AQUAWARE
ELITE

- Heavy-duty institutional quality
- Rugged low-lead brass alloy body with triple chrome plated finish
- Stainless steel covered hose for long life and low maintenance
- 1/4 turn full volume faucet with conservation-compliant 1.2 gpm spray valve
- Ceramic cartridges provide extended product life
- PathoGuard™ antimicrobial treatment protects grip and handle from deterioration, odors, or color change caused by the growth of bacteria or mold
- Includes 12" wall bracket
- 2-year limited warranty

*PathoGuard™ treated products helps prevent odor, staining, and deterioration of product by non-public health mold, bacteria, and fungus. Regular cleaning and sanitization practices are required if public health is a concern.

Part No.	Description
60451KL8500	8" Wall Mount Pre-Rinse
60451KL8500512	8" Wall Mount Pre-Rinse Assembly with Dual Spray Valve and 12" Add-On Faucet

Replacement parts shown on page 303

Specifications

Materials

Valve Body: Polished, triple chrome plated, low lead brass alloy valve body; ceramic valve; polished chrome plated brass riser; polished chrome plated high pressure die-cast zinc handles with stainless steel screws

Spray Unit: Polished chrome plated body, bonnet and nozzle; PathoGuard™* antimicrobial polymer grip and handle with brass insert; 42" (1067 mm) flexible Santoprene® hose with stainless steel cover; certified to NSF 61/9-G, US and Canada. Standard 1.2 gpm spray head

Mounting

1/2-14 NPS female eccentric inlets on 8" (203 mm) centers, adjustable ± 1/4", with mounting hardware

Options

Wrist blades available

Optional Add-on Faucets

- Standard ceramic cartridge
- Mounts in line to pre-rinse valve body
- Shares water lines and controls
- Separate valve controls spout flow
- Six swivel spout lengths



Shown on page 302





AQUAWARE
ELITE

- Heavy-duty institutional quality
- Rugged low-lead brass alloy body with triple chrome plated finish
- Stainless steel covered hose for long life and low maintenance
- 1/4 turn full volume faucet with conservation-compliant 1.2 gpm spray valve
- Ceramic cartridges provide extended product life
- PathoGuard™ antimicrobial treatment protects grip and handle from deterioration, odors, or color change caused by the growth of bacteria or mold
- Includes 12" wall bracket
- 2-year limited warranty

*PathoGuard™ treated products helps prevent odor, staining, and deterioration of product by non-public health mold, bacteria, and fungus. Regular cleaning and sanitization practices are required if public health is a concern.

Part No.	Description
60452KL8500	8" Deck Mount Pre Rinse
Replacement parts shown on page 303	

Specifications

Materials

Valve Body: Polished, triple chrome plated, low lead brass alloy valve body; ceramic valve; polished chrome plated brass riser; polished chrome plated high pressure die-cast zinc handles with stainless steel screws

Spray Unit: Polished chrome plated body, bonnet and nozzle; PathoGuard™* antimicrobial polymer grip and handle with brass insert; 42" (1067 mm) flexible Santoprene® hose with stainless steel cover; certified to NSF 61/9-G, US and Canada. Standard 1.2 gpm spray head

Mounting

1/2-14 NPS female eccentric inlets on 8" (203 mm) centers

Options

Wrist blades available

Optional Add-on Faucets

- Standard ceramic cartridge
- Mounts in line to pre-rinse valve body
- Shares water lines and controls
- Separate valve controls spout flow
- Six swivel spout lengths



Shown on page 302



ASME A112.18.1/CSA B125.1
NSF-61/9-G

0451KL8600 8" Wall Mount Two Position Pre-Rinse



AQUAWARE
ELITE

- Heavy-duty institutional quality
- Rugged low-lead brass alloy body with triple chrome plated finish
- Stainless steel covered hose for long life and low maintenance
- 1/4 turn full volume faucet with conservation-compliant 1.2 gpm spray valve
- Ceramic cartridges provide extended product life
- PathoGuard™ antimicrobial treatment protects grip and handle from deterioration, odors, or color change caused by the growth of bacteria or mold
- Includes 12" wall bracket
- 2-year limited warranty

*PathoGuard™ treated products helps prevent odor, staining, and deterioration of product by non-public health mold, bacteria, and fungus. Regular cleaning and sanitization practices are required if public health is a concern.

Part No.	Description
60451KL8600	8" Wall Mount Two Position Pre-Rinse
60451KL8600512	8" Wall Mount Two Position Pre-Rinse Assembly with Dual Spray Valve and 12" Add-On Faucet

Replacement parts shown on page 303

Specifications

Materials

Valve Body: Polished, triple chrome plated, low lead brass alloy valve body; ceramic valve; polished chrome plated brass riser; polished chrome plated high pressure die-cast zinc handles with stainless steel screws

Spray Unit: Polished chrome plated body, bonnet and nozzle; PathoGuard™* antimicrobial polymer grip and handle with brass insert; 42" (1067 mm) flexible Santoprene® hose with stainless steel cover; certified to NSF 61/9-G, US and Canada. Standard 1.2 gpm spray head

Mounting

1/2-14 NPS female eccentric inlets on 8" (203 mm) centers, adjustable ± 1/4", with mounting hardware

Options

Wrist blades available

Optional Add-on Faucets

- Standard ceramic cartridge
- Mounts in line to pre-rinse valve body
- Shares water lines and controls
- Separate valve controls spout flow
- Six swivel spout lengths



Shown on page 302





AQUAWARE
ELITE

- Heavy-duty institutional quality
- Rugged low-lead brass alloy body with triple chrome plated finish
- Stainless steel covered hose for long life and low maintenance
- 1/4 turn full volume faucet with conservation-compliant 1.2 gpm spray valve
- Ceramic cartridges provide extended product life
- PathoGuard™ antimicrobial treatment protects grip and handle from deterioration, odors, or color change caused by the growth of bacteria or mold
- Includes 12" wall bracket
- 2-year limited warranty

*PathoGuard™ treated products helps prevent odor, staining, and deterioration of product by non-public health mold, bacteria, and fungus. Regular cleaning and sanitization practices are required if public health is a concern.

Part No.	Description
60452KL8600	8" Wall Mount Two Position Pre-Rinse
Replacement parts shown on page 303	

Specifications

Materials

Valve Body: Polished, triple chrome plated, low lead brass alloy valve body; ceramic valve; polished chrome plated brass riser; polished chrome plated high pressure die-cast zinc handles with stainless steel screws

Spray Unit: Polished chrome plated body, bonnet and nozzle; PathoGuard™* antimicrobial polymer grip and handle with brass insert; 42" (1067 mm) flexible Santoprene® hose with stainless steel cover; certified to NSF 61/9-G, US and Canada. Standard 1.2 gpm spray head

Mounting

1/2-14 NPS female eccentric inlets on 8" (203 mm) centers, adjustable ± 1/4", with mounting hardware

Options

Wrist blades available

Optional Add-on Faucets

- Standard ceramic cartridge
- Mounts in line to pre-rinse valve body
- Shares water lines and controls
- Separate valve controls spout flow
- Six swivel spout lengths



Shown on page 302

© 2024 Kason Industries, Inc.

0923 LIT 001



ASME A112.18.1/CSA B125.1
NSF-61/9-G

0452KL4500 4" Deck Mount Pre-Rinse



AQUAWARE
ELITE

- Heavy-duty institutional quality
- Rugged low-lead brass alloy body with triple chrome plated finish
- Stainless steel covered hose for long life and low maintenance
- 1/4 turn full volume faucet with conservation-compliant 1.2 gpm spray valve
- Ceramic cartridges provide extended product life
- PathoGuard™ antimicrobial treatment protects grip and handle from deterioration, odors, or color change caused by the growth of bacteria or mold
- Includes 12" wall bracket
- 2-year limited warranty

*PathoGuard™ treated products helps prevent odor, staining, and deterioration of product by non-public health mold, bacteria, and fungus. Regular cleaning and sanitization practices are required if public health is a concern.

Part No.	Description
60452KL4500	4" Deck Mount Pre-Rinse
Replacement parts shown on page 303	

Specifications

Materials

Valve Body: Polished, triple chrome plated, low lead brass alloy valve body; ceramic valve; polished chrome plated brass riser; polished chrome plated high pressure die-cast zinc handles with stainless steel screws

Spray Unit: Polished chrome plated body, bonnet and nozzle; PathoGuard™* antimicrobial polymer grip and handle with brass insert; 42" (1067 mm) flexible Santoprene® hose with stainless steel cover; certified to NSF 61/9-G, US and Canada. Standard 1.2 gpm spray head

Mounting

Furnished with 1/2-14 NPS female eccentric inlets on 4" (102 mm) centers

Options

Wrist blades available

Optional Add-on Faucets

- Standard ceramic cartridge
- Mounts in line to pre-rinse valve body
- Shares water lines and controls
- Separate valve controls spout flow
- Six swivel spout lengths



Shown on page 302





AQUAWARE
ELITE

- Heavy-duty institutional quality
- Rugged low-lead brass alloy body with triple chrome plated finish
- Stainless steel covered hose for long life and low maintenance
- 1/4 turn full volume faucet with conservation-compliant 1.2 gpm spray valve
- Ceramic cartridges provide extended product life
- PathoGuard™ antimicrobial treatment protects grip and handle from deterioration, odors, or color change caused by the growth of bacteria or mold
- Includes 12" wall bracket
- 2-year limited warranty

*PathoGuard™ treated products helps prevent odor, staining, and deterioration of product by non public health mold, bacteria, and fungus. Regular cleaning and sanitization practices are required if public health is a concern.

Part No.	Description
60452KL1500	Double Pantry Pre-Rinse
60452KL1500512	Double Pantry Pre-Rinse Assembly and 12" Add-On Faucet
Replacement parts shown on page 303	

Specifications

Materials

Valve Body: Polished, triple chrome plated, low lead brass alloy valve body; ceramic valve; polished chrome plated brass riser; polished chrome plated high pressure die-cast zinc handles with stainless steel screws

Spray Unit: Polished chrome plated body, bonnet and nozzle; PathoGuard™* antimicrobial polymer grip and handle with brass insert; 42" (1067 mm) flexible Santoprene® hose with stainless steel cover; certified to NSF 61/9-G, US and Canada. Standard 1.2 gpm spray head

Mounting

1/2" NPS male inlets on 4" (102mm) centers, with 1/4" NPT union tail pieces and mounting hardware

Options

Replacement parts shown on Page 303.

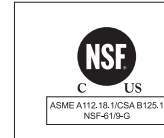
Optional Add-on Faucets

- Standard ceramic cartridge
- Mounts in line to pre-rinse valve body
- Shares water lines and controls
- Separate valve controls spout flow
- Six swivel spout lengths



Shown on page 302

© 2024 Kason Industries, Inc. 0923 LIT 001



0452KL1600 Double Pantry Two Position Pre-Rinse



AQUAWARE
ELITE

- Heavy-duty institutional quality
- Rugged low-lead brass alloy body with triple chrome plated finish
- Stainless steel covered hose for long life and low maintenance
- 1/4 turn full volume faucet with conservation-compliant 1.2 gpm spray valve
- Ceramic cartridges provide extended product life
- PathoGuard™ antimicrobial treatment protects grip and handle from deterioration, odors, or color change caused by the growth of bacteria or mold
- Includes 12" wall bracket
- 2-year limited warranty

*PathoGuard™ treated products help prevent odor, staining, and deterioration of product by non public health mold, bacteria, and fungus. Regular cleaning and sanitization practices are required if public health is a concern.

Part No.	Description
60452KL1600	Double Pantry Two Position Pre-Rinse
60452KL1600512	Double Pantry Two Position Pre-Rinse Assembly and 12" Add-On Faucet

Replacement parts shown on page 303

Specifications

Materials

Valve Body: Polished, triple chrome plated, low lead brass alloy valve body; ceramic valve; polished chrome plated brass riser; polished chrome plated high pressure die-cast zinc handles with stainless steel screws

Spray Unit: Polished chrome plated body, bonnet and nozzle; PathoGuard™* antimicrobial polymer grip and handle with brass insert; 42" (1067 mm) flexible Santoprene® hose with stainless steel cover; certified to NSF 61/9-G, US and Canada. Standard 1.2 gpm spray head

Mounting

1/2" NPS male inlets on 4" (102mm) centers, with 1/4" NPT union tail pieces and mounting hardware

Options

Replacement parts shown on Page 303.

Optional Add-on Faucets

- Standard ceramic cartridge
- Mounts in line to pre-rinse valve body
- Shares water lines and controls
- Separate valve controls spout flow
- Six swivel spout lengths



Shown on page 302





AQUAWARE
ELITE

- Heavy-duty institutional quality
- Rugged low-lead brass alloy body with triple chrome plated finish
- Stainless steel covered hose for long life and low maintenance
- 1/4 turn full volume faucet with conservation-compliant 1.2 gpm spray valve
- Ceramic cartridges provide extended product life
- PathoGuard™ antimicrobial treatment protects grip and handle from deterioration, odors, or color change caused by the growth of bacteria or mold
- Includes 12" wall bracket
- 2-year limited warranty

* PathoGuard™ treated products helps prevent odor, staining, and deterioration of product by non-public health mold, bacteria, and fungus. Regular cleaning and sanitization practices are required if public health is a concern.

Specifications

Materials

Valve Body: Polished, triple chrome plated, low lead brass alloy valve body; ceramic valve; polished chrome plated brass riser; polished chrome plated high pressure die-cast zinc handles with stainless steel screws

Spray Unit: Polished chrome plated body, bonnet and nozzle; PathoGuard™* antimicrobial polymer grip and handle with brass insert; 42" (1067 mm) flexible Santoprene® hose with stainless steel cover; certified to NSF 61/9-G, US and Canada. Standard 1.2 gpm spray head

Mounting

1/2" NPS male inlet with 1/4" NPT union tail piece and mounting hardware

Optional Add-on Faucets

- Standard ceramic cartridge
- Mounts in line to pre-rinse valve body
- Shares water lines and controls
- Separate valve controls spout flow
- Six swivel spout lengths



Shown on page 302

Part No.	Description
60452KL2500	Single Pantry Pre-Rinse
Replacement parts shown on page 303	



© 2024 Kason Industries, Inc.
0923 LIT 001

0451 KL5000 Add-on Faucets for Aquaware® Elite Spray Rinse Units



- Mounts in line to pre-rinse valve body
- Shares water lines and controls
- Separate valve controls spout flow
- Six swivel spout lengths and three gooseneck lengths
- Spout extensions available in two lengths

Specifications

Materials

Triple chrome plated low lead brass alloy valve body; low lead brass valve stem; ceramic valve; polished chrome finished tubular low lead brass spouts; polished chrome finished high pressure die-cast zinc handle with stainless steel screws

Mounting

Between faucet body and riser

0451 KL9000 Series Spout Extensions

0451 KL9001



0451 KL9002



See details and additional spouts on page 324

0451 KL0015 Classic Pre-Rinse Spray Valve Assembly (1.2 GPM)



0451 KL0032 Two-Position Pre-Rinse Spray Valve Assembly (1.2 GPM)



First Position



Second Position

Specifications

Material

Copper alloy valve mechanism, body, bonnet and nozzle. Polymer grip handle, lever handle and spray face

Finish

Polished chrome plated body, bonnet and nozzle

Part No.	Description	Height
60451KL5006	Add-on Faucet with 6" (152 mm) Swivel Spout	1-5/8" (42 mm)
60451KL5008	Add-on Faucet with 8" (203 mm) Swivel Spout	1-15/16" (49 mm)
60451KL5010	Add-on Faucet with 10" (254 mm) Swivel Spout	2-15/16" (75 mm)
60451KL5012	Add-on Faucet with 12" (305 mm) Swivel Spout	2-9/16" (65 mm)
60451KL5014	Add-on Faucet with 14" (356 mm) Swivel Spout	3-3/16" (81 mm)
60451KL5016	Add-on Faucet with 16" (406 mm) Swivel Spout	3-3/16" (81 mm)
60451KL0015	Classic Pre-Rinse Spray Valve Assembly (1.2 GPM)	
60451KL0032	Two Position Pre-Rinse Spray Valve Assembly (1.2 GPM)	
60451KL9001	Spout Extension	6" (152 mm)
60451KL9002	Spout Extension	12" (305 mm)
60451KL9003	Spout Extension	10" (254 mm)
60451KL9006	Spout	6" (152 mm)
60451KL9008	Spout	8" (203.2 mm)

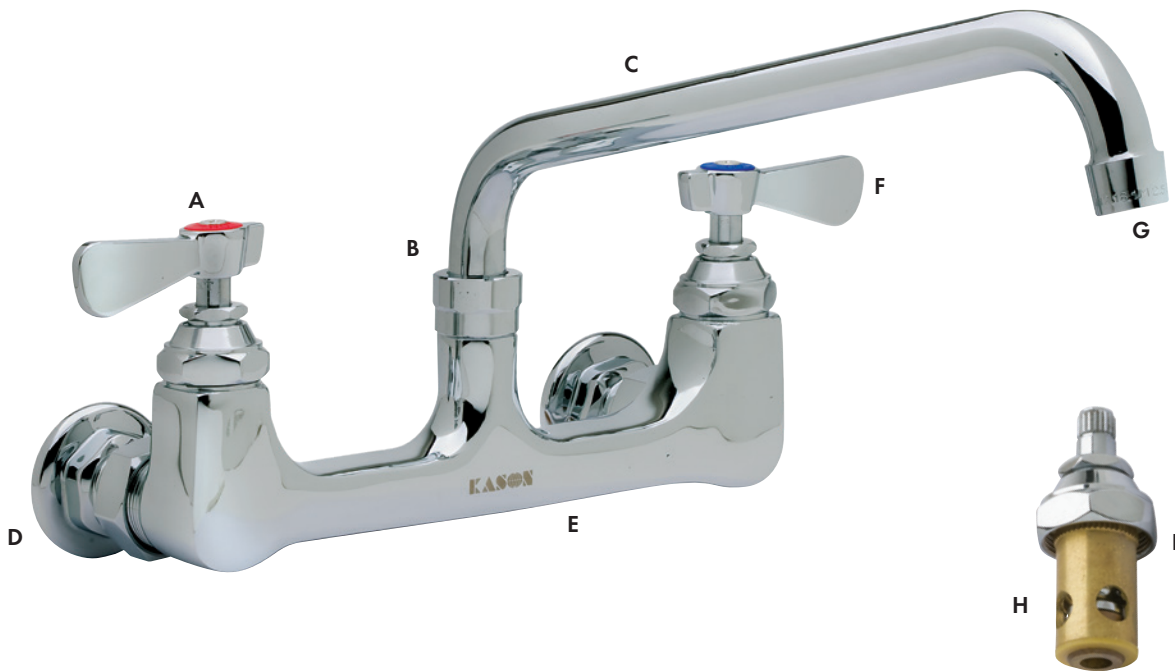


Part No.	Description	Height
60451KL0001	Riser	18" (457 mm)
60451KL0002	Wall Bracket	12" (305 mm)
60451KL0003	Chrome Plated Spring	
60451KL0004	Stainless Steel Spring	2-9/16" (65 mm)
60451KL0024	Replacement Valve, Hot	
60451KL0025	Replacement Valve, Cold	
60451KL0009	Pre Rinse Hose Assembly	44" (1118 mm)
60451KL000960	Pre Rinse Hose Assembly	60" (1524 mm)
60451KL000972	Pre Rinse Hose Assembly	72" (1829 mm)
60451KL000996	Pre Rinse Hose Assembly	96" (2438 mm)
60451KL0010	Stainless Steel Pre-Rinse Hose with Handle	44" (1118 mm)
60451KL001060	Stainless Steel Pre-Rinse Hose with Handle	60" (1524 mm)
60451KL001072	Stainless Steel Pre-Rinse Hose with Handle	72" (1829 mm)
60451KL001096	Stainless Steel Pre-Rinse Hose with Handle	96" (2438 mm)
60451KL0011	Spray Valve Repair Kit	
60451KL0012	Spray Valve Kit Includes PathoGuard™ treated handle and grip	
60451KL0020	Supply Inlet Kit For 451 and 452 faucets	
60451KL0021	Faucet Handle Kit Includes two, chrome plated standard handles, hot and cold indicators and mounting screws	
60451KL0022	Cross Handles Kit Includes two, chrome plated standard handles, hot and cold indicators and mounting screws	
60451KL0023	Wrist Blade Handles Kit Includes two, 4", chrome plated wrist handles, hot and cold indicators and screws	
60451KL0700	Wall Mount Inlet Kit Simplifies wall faucet installation in standard backsplash space. Includes two each of 1/2" NPS nipples, 1/2" NPT street wells, washers and locknuts	
60452KL0700	Deck Mount Inlet Kit Simplifies deck faucet installation. Includes two each 1/2" NPS nipples, washers and locknuts	

*PathoGuard™ treated products helps prevent odor, staining, and deterioration of product by non public health mold, bacteria and fungus. Regular cleaning and sanitization practices are required if public health is concern.

Institutional Faucets

Institutional Quality, Low Lead Institutional Plumbing Fixtures Provide Dependable Operation and Long Wear



A. Quarter Turn Full on Ceramic Valves

Standard on all Aquaware Elite faucets and pre-rinse units

B. Low Lead Brass Alloy Spout Bushings

Brass bushings and internal shoulder for greater stability. Bushings feature double sealing, self lubricating O-rings to stop leakage

C. Low Lead Brass Alloy Tubular Spout

Heavy gauge brass tubing is finished with triple chrome plating

D. Eccentric Mounting Flange

Easier, faster mounting with self-positioning inlet

E. Faucet Body

Rugged low lead brass alloy construction with triple chrome plate finish for long life and low maintenance

F. Easy-Grip Handles

Contoured handles make operation easier with wet or soapy hands. International color-coded indicators are standard

G. Water Saving Aerator

Standard on all Kason Aquaware Elite faucets

H. Valve Stem

Standard ceramic cartridges with built-in check valve to prevent cross flow between hot and cold water inlets

I. Valve Seat

Features longer-lasting quarter turn ceramic valve with built-in check available

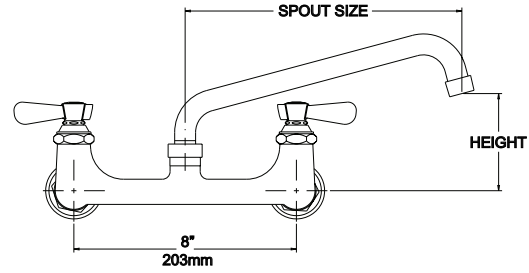
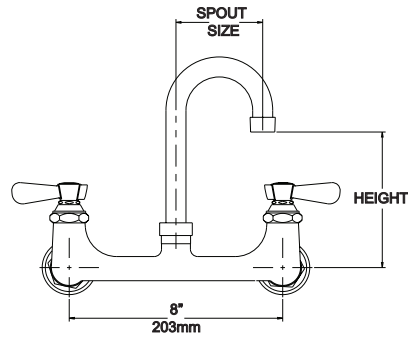
Warranty

All Kason Aquaware Elite plumbing fixtures carry our 2-year limited warranty



ASME A112.18.1/CSA B125.1
NSF-61/9-G

0451KL8000 Series 8" Wall Mount Faucet



- Specification grade faucets for years of dependable performance
- Rugged low-lead brass alloy body with triple chrome plated finish for long life and low maintenance
- Equipped with ceramic cartridges for increased performance and extended product life
- 2-year limited warranty

Specifications

Materials

Polished, triple chrome plated low lead brass alloy valve body; ceramic valve; polished chrome finished tubular brass spouts; polished chrome finished high pressure die-cast zinc handles with stainless steel screws

Mounting

1/2-14 NPS female eccentric inlets on 8" (204 mm) centers, adjustable ± 1/4". Kit sold separately

Options

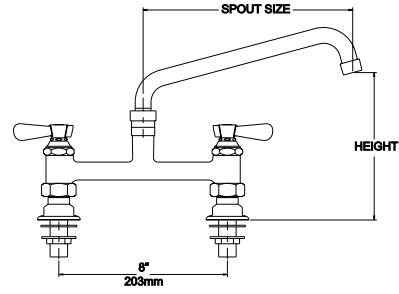
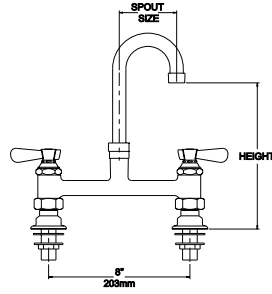
Wrist blades available

Part No.	Description	Height
60451KL8001	8" Wall Faucet with 3-1/2" (89 mm) Gooseneck Swivel Spout	5-7/8" (149 mm)
60451KL8002	8" Wall Faucet with 6" (152 mm) Gooseneck Swivel Spout	6-1/16" (154 mm)
60451KL8003	8" Wall Faucet with 8-1/2" (216 mm) Gooseneck Swivel Spout	9-7/8" (239 mm)
60451KL8006	8" Wall Faucet with 6" (152 mm) Swivel Spout	2-9/16" (65 mm)
60451KL8008	8" Wall Faucet with 8" (203 mm) Swivel Spout	2-13/16" (72 mm)
60451KL8010	8" Wall Faucet with 10" (254 mm) Swivel Spout	3-3/4" (95 mm)
60451KL8012	8" Wall Faucet with 12" (305 mm) Swivel Spout	3-1/2" (88 mm)
60451KL8014	8" Wall Faucet with 14" (356 mm) Swivel Spout	4-1/8" (104 mm)
60451KL8016	8" Wall Faucet with 16" (406 mm) Swivel Spout	4-1/8" (104 mm)
60451KL8118	8" Wall Faucet with 18" (457 mm) Double-jointed Spout	5-7/16" (144 mm)

Replacement parts shown on pages 322 - 323



0452KL8000 Series 8" Deck Mount Faucet



- Specification grade faucets for years of dependable performance
- Rugged low lead brass alloy body with triple chrome plate finish for long life and low maintenance
- Standard ceramic cartridge
- 2-year limited warranty

Specifications

Materials

Triple chrome plated low lead brass alloy valve body; Low lead brass valve stem; ceramic valve; polished chrome finished tubular brass spouts; polished chrome finished high pressure zinc die-cast handles with stainless steel screws.

Mounting

1/2-14 NPS male on 4" (102 mm) centers, with mounting hardware

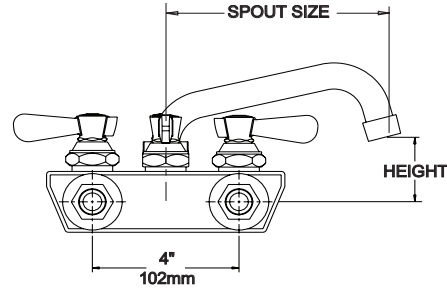
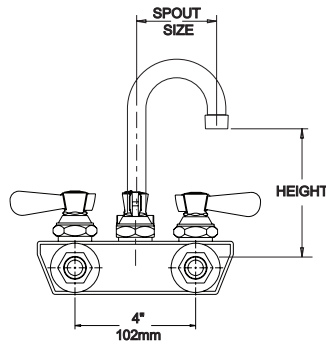
Options

Wrist blades available

Part No.	Description	Height
60452KL8001	8" Deck Faucet with 3-1/2" (89 mm) Gooseneck Swivel Spout	8-3/16" (208 mm)
60452KL8002	8" Deck Faucet with 6" (152 mm) Gooseneck Swivel Spout	8-3/8" (212 mm)
60452KL8003	8" Deck Faucet with 8-1/2" (216 mm) Gooseneck Swivel Spout	11-3/4" (298 mm)
60452KL8006	8" Deck Faucet with 6" (152 mm) Swivel Spout	4-7/8" (124 mm)
60452KL8008	8" Deck Faucet with 8" (203 mm) Swivel Spout	5-1/4" (131 mm)
60452KL8010	8" Deck Faucet with 10" (254 mm) Swivel Spout	6-1/16" (154 mm)
60452KL8012	8" Deck Faucet with 12" (305 mm) Swivel Spout	5-3/4" (147 mm)
60452KL8014	8" Deck Faucet with 14" (356 mm) Swivel Spout	6-7/16" (163 mm)
60452KL8016	8" Deck Faucet with 16" (406 mm) Swivel Spout	6-7/16" (163 mm)
60452KL8118	8" Wall Faucet with 18" (457 mm) Double-jointed Spout	8" (203 mm)

Replacement parts shown on page 322 - 323





- Specification grade faucets for years of dependable performance
- Rugged low lead brass alloy body with triple chrome plate finish for long life and low maintenance
- Low lead brass valve stem and seat use urethane bibb type washer
- 2-year limited warranty

Specifications

Materials

Polished, triple chrome plated low lead brass alloy valve body; low lead brass valve stem; ceramic valve; polished chrome finished tubular brass spouts; polished chrome finished high pressure die-cast zinc handles with stainless steel screws

Mounting

1/2-14 NPS male inlets on 4" (102 mm) centers with mounting hardware

Options

Wrist blades available

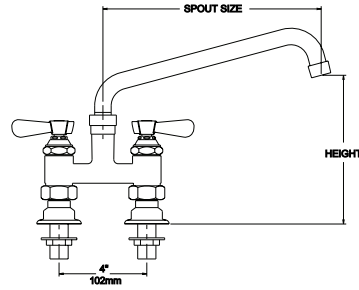
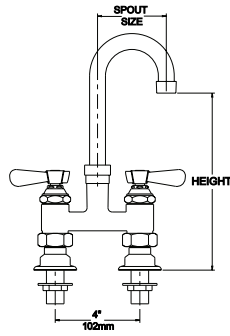
Part No.	Description	Height
60451KL4401	4" Wall Faucet with 3-1/2" (89 mm) Gooseneck Swivel Spout	5-1/8" (130 mm)
60451KL4402	4" Wall Faucet with 6" (152 mm) Gooseneck Swivel Spout	6-31/32" (177 mm)
60451KL4403	4" Wall Faucet with 8-1/2" (216 mm) Gooseneck Swivel Spout	8-23/32" (221 mm)
60451KL4406	4" Wall Faucet with 6" (152 mm) Swivel Spout	1-27/32" (47 mm)
60451KL4408	4" Wall Faucet with 8" (203 mm) Swivel Spout	2-21/32" (67 mm)
60451KL4410	4" Wall Faucet with 10" (254 mm) Swivel Spout	3-17/32" (90 mm)
60451KL4412	4" Wall Faucet with 12" (305 mm) Swivel Spout	3-31/32" (101 mm)

Replacement parts shown on page 322 - 323



ASME A112.18.1/CSA B125.1
NSF-61/9-G

0452KL4000 Series 4" Deck Mount Faucets



- Specification grade faucets for years of dependable performance
- Rugged low lead brass alloy body with triple chrome plated finish for long life and low maintenance
- Standard ceramic cartridge
- 2-year limited warranty

Specifications

Materials

Triple chrome plated low lead brass alloy valve body; ceramic valve; polished chrome finished tubular brass spouts; polished chrome finished high pressure die-cast zinc handles with stainless steel screws

Mounting

1/2-14 NPS male on 4" (102 mm) centers, with mounting hardware

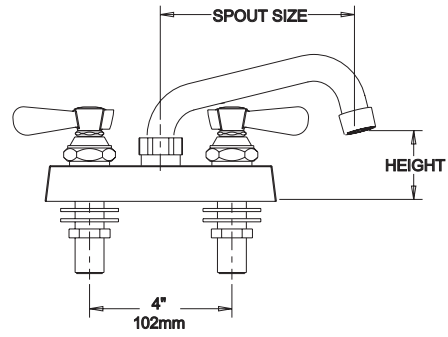
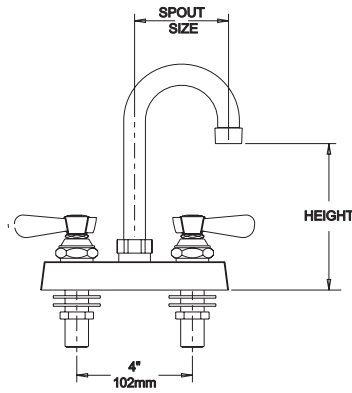
Options

Wrist blades available

Part No.	Description	Height
60452KL4001	4" Deck Faucet with 3-1/2" (89 mm) Gooseneck Swivel Spout	8-3/16" (208 mm)
60452KL4002	4" Deck Faucet with 6" (152 mm) Gooseneck Swivel Spout	8-3/8" (212 mm)
60452KL4003	4" Deck Faucet with 8-1/2" (216 mm) Gooseneck Swivel Spout	11-3/4" (298 mm)
60452KL4006	4" Deck Faucet with 6" (152 mm) Swivel Spout	4-7/8" (124 mm)
60452KL4008	4" Deck Faucet with 8" (203 mm) Swivel Spout	5-1/4" (131 mm)
60452KL4010	4" Deck Faucet with 10" (254 mm) Swivel Spout	6-1/16" (154 mm)
60452KL4012	4" Deck Faucet with 12" (305 mm) Swivel Spout	5-3/4" (147 mm)
60452KL4014	4" Deck Faucet with 14" (356 mm) Swivel Spout	6-7/16" (163 mm)
60452KL4016	4" Deck Faucet with 16" (406 mm) Swivel Spout	6-7/16" (163 mm)
60452KL4118	4" Deck Faucet with 18" (457 mm) Double-jointed Swivel Spout	8" (203 mm)

Replacement parts shown on page 322 - 323





- Specification grade faucets for years of dependable performance
- Rugged low lead brass alloy body with triple chrome plated finish for long life and low maintenance
- Low lead brass valve stem and ceramic cartridge
- 2-year limited warranty

Specifications

Materials

Triple chrome plated low lead brass alloy valve body; low lead brass valve stem; ceramic valve; polished chrome finished tubular brass spouts; polished chrome finished high pressure die-cast zinc handles with stainless steel screws

Mounting

1/2-14 NPS male eccentric inlets on 4" (102 mm) centers, with mounting hardware

Options

Wrist blades available

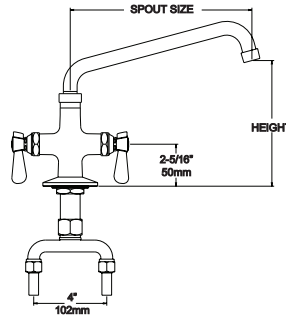
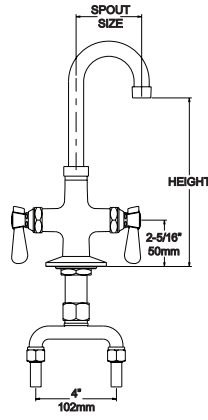
Part No.	Description	Height
60452KL4401	4" Deck Faucet with 3-1/2" (89 mm) Gooseneck Swivel Spout	5-3/16" (132 mm)
60452KL4402	4" Deck Faucet with 6" (152 mm) Gooseneck Swivel Spout	7-1/8" (180 mm)
60452KL4403	4" Deck Faucet with 8-1/2" (216 mm) Gooseneck Swivel Spout	8-13/16" (223 mm)
60452KL4406	4" Deck Faucet with 6" (152 mm) Swivel Spout	1-15/16" (49 mm)
60452KL4408	4" Deck Faucet with 8" (203 mm) Swivel Spout	2-11/16" (68 mm)
60452KL4410	4" Deck Faucet with 10" (254 mm) Swivel Spout	3-5/8" (92 mm)
60452KL4412	4" Deck Faucet with 12" (305 mm) Swivel Spout	4" (102 mm)

Replacement parts shown on page 322 - 323

© 2024 Kason Industries, Inc.
0923 LIT 001



0452KL1000 Series Double Pantry Faucets



- Specification grade faucets for years of dependable performance
- Rugged low lead brass alloy body with triple chrome plated finish for long life and low maintenance
- Low lead brass valve stem and seat use urethane bibb type washer
- 2-year limited warranty

Specifications

Materials

Triple chrome plated low lead brass alloy valve body; low lead brass valve stem; ceramic valve; polished chrome finished tubular brass spouts; polished chrome finished high pressure die-cast zinc handles with stainless steel screws

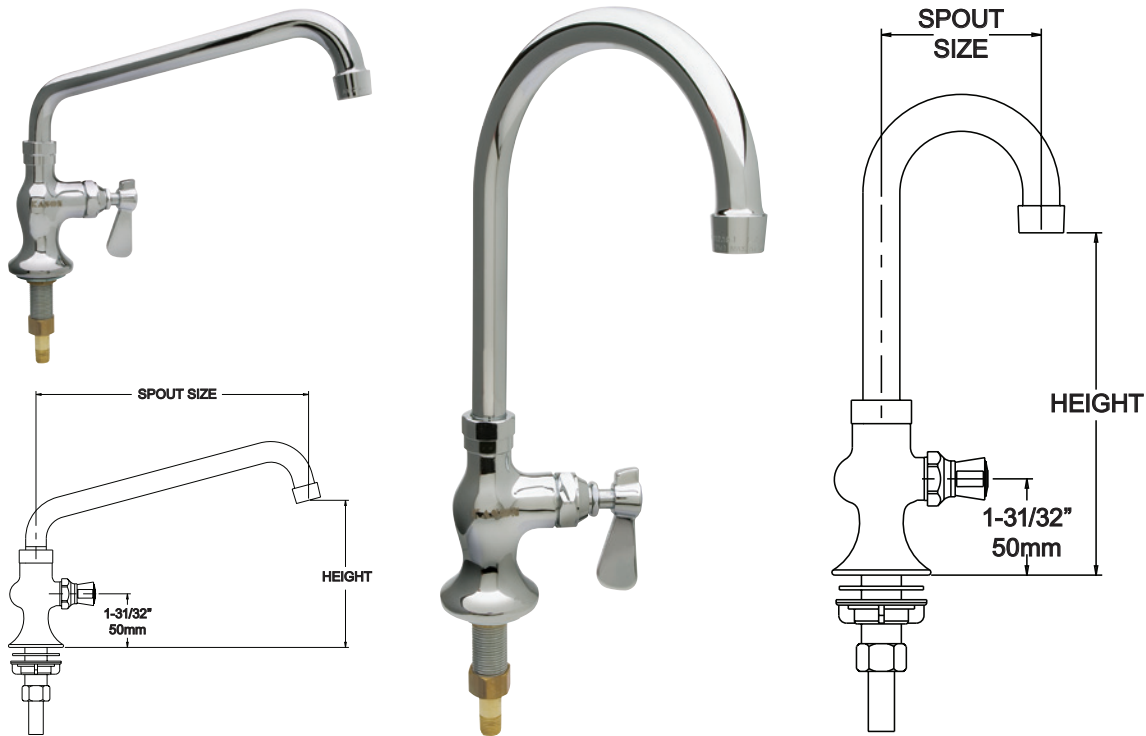
Mounting

1/2" NPS male inlet with 1/4" NPT union tail piece and mounting hardware

Part No.	Description	Height
60452KL1001	Double Pantry Faucet with 3-1/2" (89 mm) Gooseneck Swivel Spout	8-3/16" (208 mm)
60452KL1002	Double Pantry Faucet with 6" (152 mm) Gooseneck Swivel Spout	8-3/8" (212 mm)
60452KL1003	Double Pantry Faucet with 8-1/2" (216 mm) Gooseneck Swivel Spout	11-3/4" (298 mm)
60452KL1006	Double Pantry Faucet with 6" (152 mm) Swivel Spout	4-7/8" (124 mm)
60452KL1008	Double Pantry Faucet with 8" (203 mm) Swivel Spout	5-1/4" (131 mm)
60452KL1010	Double Pantry Faucet with 10" (254 mm) Swivel Spout	6-1/16" (154 mm)
60452KL1012	Double Pantry Faucet with 12" (305 mm) Swivel Spout	5-3/4" (147 mm)
60452KL1014	Double Pantry Faucet with 14" (356 mm) Swivel Spout	6-7/16" (163 mm)
60452KL1016	Double Pantry Faucet with 16" (356 mm) Swivel Spout	6-7/16" (163 mm)
60452KL1118	Double Pantry with 18" (457 mm) Double-jointed Swivel Spout	8" (203 mm)

Replacement parts shown on page 322 - 323





- Specification grade faucets for years of dependable performance
- Rugged low lead brass alloy body with triple chrome plated finish for long life and low maintenance
- Low lead brass valve stem and seat use urethane bibb type washer
- 2-year limited warranty

Specifications

Materials

Triple chrome plated low lead brass alloy valve body; Low lead brass valve stem; ceramic valve; polished chrome finished tubular brass spouts; polished chrome finished high pressure zinc die-cast handles with stainless steel screws

Mounting

1/2" NPS male inlet with 1/4" NPT union tail piece and mounting hardware

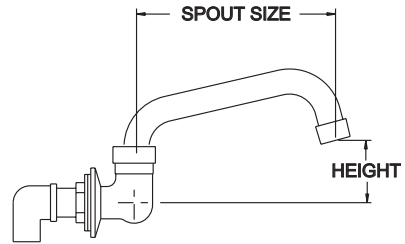
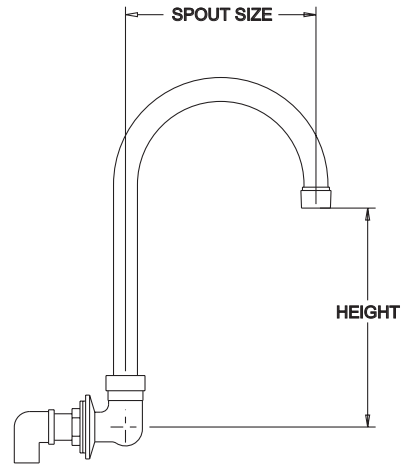
Part No.	Description	Height
60452KL2001	Single Pantry Faucet with 3-1/2" (89 mm) Gooseneck Swivel Spout	7-5/8" (194 mm)
60452KL2002	Single Pantry Faucet with 6" (152 mm) Gooseneck Swivel Spout	7-13/16" (199 mm)
60452KL2003	Single Pantry Faucet with 8-1/2" (216 mm) Gooseneck Swivel Spout	11-13/16" (284 mm)
60452KL2006	Single Pantry Faucet with 6" (152 mm) Swivel Spout	4-5/16" (110 mm)
60452KL2008	Single Pantry Faucet with 8" (203 mm) Swivel Spout	4-5/8" (117 mm)
60452KL2010	Single Pantry Faucet with 10" (254 mm) Swivel Spout	5-1/2" (140 mm)
60452KL2012	Single Pantry Faucet with 12" (305 mm) Swivel Spout	5-1/4" (133 mm)
60452KL2014	Single Pantry Faucet with 14" (356 mm) Swivel Spout	5-7/8" (149 mm)
60452KL2016	Single Pantry Faucet with 16" (356 mm) Swivel Spout	5-7/8" (149 mm)
60452KL2118	Single Pantry Faucet with 18" (457 mm) Double-jointed Swivel Spout	7-7/16" (189 mm)

Replacement parts shown on page 322 - 323



© 2024 Kason Industries, Inc. 0923 LIT 001

0451 KL3000 Series Wall Mount Spout Bases



- Specification grade faucets for years of dependable performance
- Rugged low lead brass alloy body with triple chrome plated finish for long life and low maintenance
- 2-year limited warranty

Specifications

Materials

Triple chrome plated low lead brass alloy valve body, ceramic valve; polished chrome finished tubular brass spouts

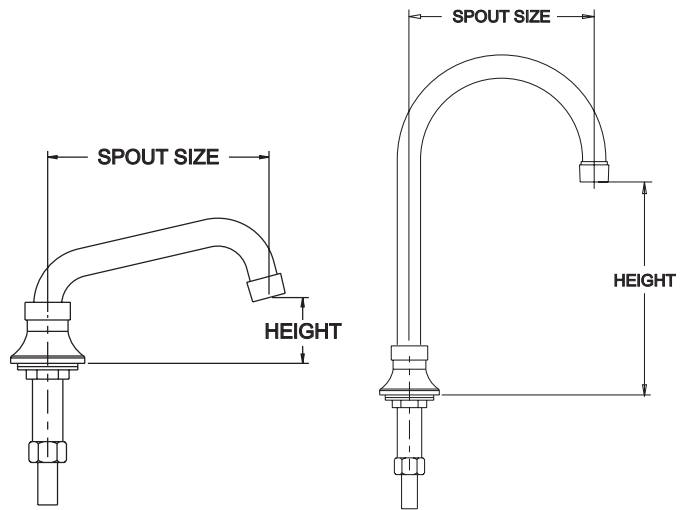
Mounting

1/2" NPS female inlet, nipple, street well and mounting hardware

Part No.	Description	Height
60451KL3001	Wall Spout Base with 3-1/2" (89 mm) Gooseneck Swivel Spout	4-29/32" (124 mm)
60451KL3002	Wall Spout Base with 6" (152 mm) Gooseneck Swivel Spout	6-3/4" (171 mm)
60451KL3003	Wall Spout Base with 8-1/2" (216 mm) Gooseneck Swivel Spout	8-15/32" (215 mm)
60451KL3006	Wall Spout Base with 6" (152 mm) Swivel Spout	1-5/8" (41 mm)
60451KL3008	Wall Spout Base with 8" (203 mm) Swivel Spout	2-13/32" (61 mm)
60451KL3010	Wall Spout Base with 10" (254 mm) Swivel Spout	3-5/16" (133 mm)
60451KL3012	Wall Spout Base with 12" (305 mm) Swivel Spout	3-23/32" (94 mm)
60451KL3014	Wall Spout Base with 14" (356 mm) Swivel Spout	4-5/32" (106 mm)
60451KL3016	Wall Spout Base with 16" (356 mm) Swivel Spout	4-15/32" (117 mm)

Replacement parts shown on page 322 - 323





- Specification grade faucets for years of dependable performance
- Rugged low lead brass alloy body with triple chrome plated finish for long life and low maintenance
- 2-year limited warranty

Specifications

Materials

Triple chrome plated low lead brass alloy valve body, ceramic valve; polished chrome finished tubular brass spouts

Mounting

1/2" NPS male inlet with 1/4" NPT union tail piece and mounting hardware

Part No.	Description	Height
60452KL3001	Deck Spout Base with 3-1/2" (89 mm) Gooseneck Swivel Spout	4-29/32" (124 mm)
60452KL3002	Deck Spout Base with 6" (152 mm) Gooseneck Swivel Spout	6-3/4" (171 mm)
60452KL3003	Deck Spout Base with 8-1/2" (216 mm) Gooseneck Swivel Spout	8-15/32" (215 mm)
60452KL3006	Deck Spout Base with 6" (152 mm) Swivel Spout	1-5/8" (41 mm)
60452KL3008	Deck Spout Base with 8" (203 mm) Swivel Spout	2-13/32" (61 mm)
60452KL3010	Deck Spout Base with 10" (254 mm) Swivel Spout	3-5/16" (133 mm)
60452KL3012	Deck Spout Base with 12" (305 mm) Swivel Spout	3-23/32" (94 mm)
60452KL3014	Deck Spout Base with 14" (356 mm) Swivel Spout	4-5/32" (106 mm)
60452KL3016	Deck Spout Base with 16" (356 mm) Swivel Spout	4-15/32" (117 mm)

Replacement parts shown on page 322 - 323

© 2024 Kason Industries, Inc.

0923 LIT 001



ASME A112.18.1/CSA B125.1
NSF-61/8-G

0450KL2100 Series Electronic Faucets



- Sensor activated, hands free operation
- Durable chrome plated brass faucet body
- AC/DC waterproof control module
- Temperature control mixing valve
- Low-battery indicator light
- ADA compliant
- Sensor range adjustment
- Auto time-out adjustment
- Water shut-off delay adjustment
- Hot and cold supply lines included
- Easy to install; installation guide included
- 1-year limited warranty

Specifications

Materials

Chrome plated brass faucet body and tubular gooseneck spout; flexible stainless steel hoses

Mounting

Deck: For use on counters up to 2-1/4" (57 mm) thick. Requires 5/8" (16 mm) diameter mounting hole

Wall: Suitable for surfaces up to 1-15/16" (49 mm) thick. Requires 1" (25 mm) diameter mounting hole

Controls

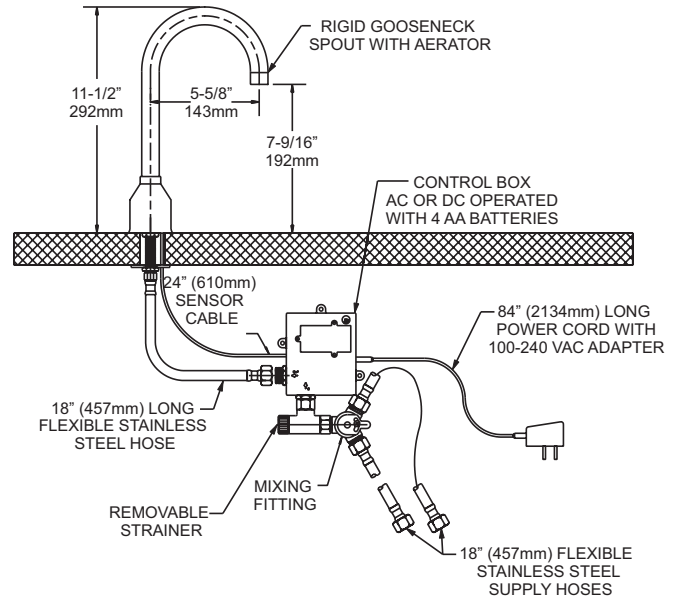
AC or DC operated with 4 AA batteries; 3-5/8" x 4-3/16" x 2" (92 x 106 x 50 mm) control module box; 24" (610 mm) sensor cable; 84" (2133 mm) long power cord with 100-240 VAC adapter

Spout

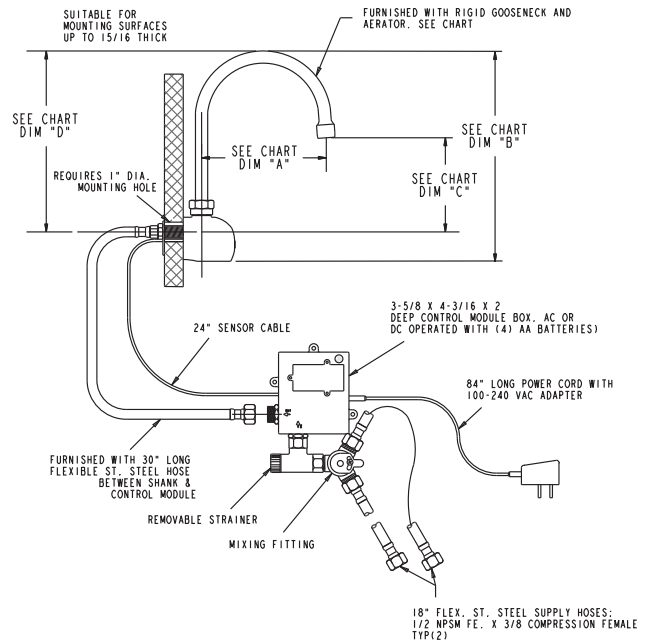
Rigid gooseneck converts to swivel action

Part No.	Description
60450KL2100	Deck Mount
60450KL2101	Wall Mount, 6-3/8" Gooseneck Spout
60450KL2102	Wall Mount, 3-1/2" Gooseneck Spout
60450KL2103	Wall Mount, 8-1/2" Gooseneck Spout
60450KL2110	Supply Line, 18", 1/4" NPSM Outlet, 1/2" NPSM Inlet, Blue Trace
60450KL2111	Supply Line, 18", 1/4" NPSM Outlet, 1/2" NPSM Inlet, Red Trace
60450KL2112	Supply Line, 30", 3/8" NPSM Outlet, 1/2" NPSM Inlet
60450KL2113	Supply Line, 18", 1/2" NPSM Outlet, 1/2" NPSM Inlet
60450KL2150	Electronic Faucet Control Box

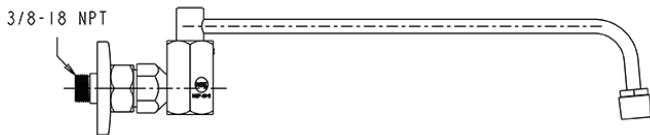
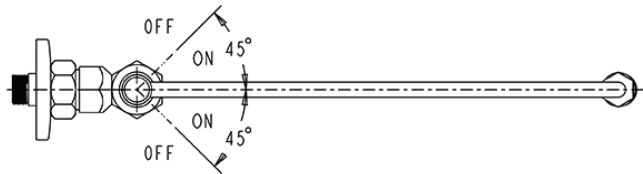
450KL2100 Deck Mount



0450KL2101 Wall Mount



0451KL6812 Wok Faucet



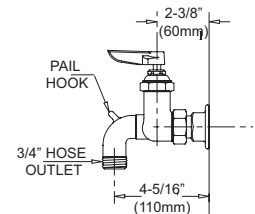
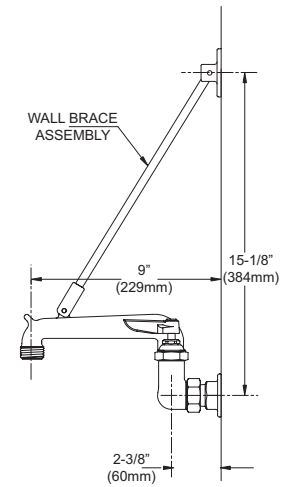
- Designed for use over Chinese woks
- Wall/splash mount
- 3/8" NPT male inlet
- 12" swivel spout 2.2 GPM aerator
- Double O-ring seal
- Automatically turns on when spout is swung over wok
- NSF listed standard 61/9

Specifications

Materials

Chrome plated low lead brass

0451-8600 Series Service Sink Faucets



- Heavy cast zinc spout with hose thread and pail hook
- Spout accepts standard 3/4" garden hose
- Faucets with 6-5/8" spouts have bracket for added support
- Models available with vacuum breaker for extra protection against backflow
- 1-year warranty

Specifications

Materials

Cast bronze with rough chrome finish

Mounting

Furnished with 1/2" NPS female eccentric inlets on 8" (200 mm) centers, adjustable $\pm 1/4"$ (5 mm)

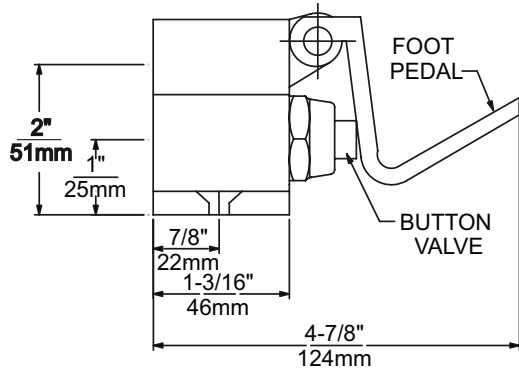
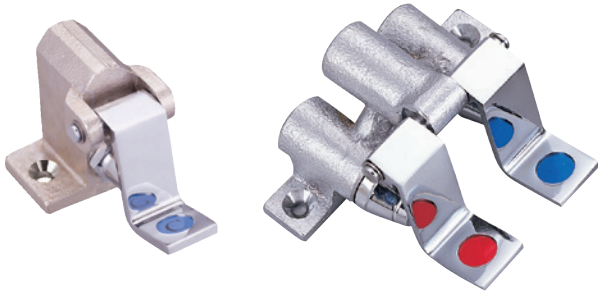
Options

Wrist blades available

Part No.	Description	Spout Length
60451008660	8" Wall Faucet with Support Bracket	6-5/8" (168 mm)
60451008665	8" Wall Faucet with Support Bracket and Vacuum Breaker	6-5/8" (168 mm)
60451008673	8" Wall Faucet	2-1/2" (64 mm)
60451008674	8" Wall Faucet with Vacuum Breaker	2-1/2" (64 mm)
60451KL6812	Faucet Wok	



0465-100 Series Foot Operated Valves



- Hands-free faucet operation
- Self-closing valves
- Color indexed pedals
- 1-year warranty

Specifications

Materials

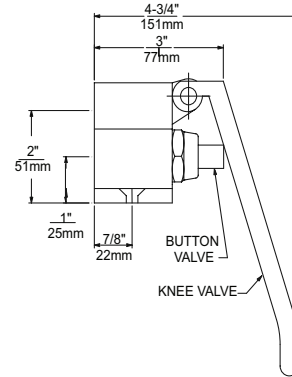
Cast bronze with rough chrome body and polished chrome pedals

Mounting

Countersunk for 1/4" (6 mm) flat head screws. Furnished with 1/2" NPT water connections

Part No.	Description
60465000001	Push Button for Knee and Foot Valve
60465000100	Foot Valve, Dual Lever Control
60465000101	Foot Valve, Single Lever Control, Hot
60465000102	Foot Valve, Single Lever Control, Cold
60465000200	Knee Valve, Dual Lever Control
60465000201	Knee Valve, Single Lever Control, Hot
60465000202	Knee Valve, Single Lever Control, Cold

0465-200 Series Knee Operated Valves



- Hands-free faucet operation
- Self-closing valves
- Color indexed pedals
- 1-year warranty

Specifications

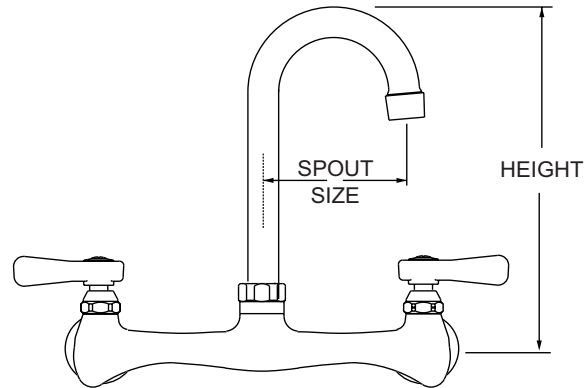
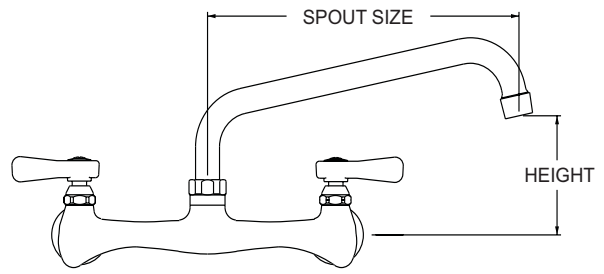
Materials

Cast bronze with rough chrome body and polished chrome pedals

Mounting

Countersunk for 1/4" (6 mm) flat head screws. Furnished with 1/2" NPT water connections





- Economical, commercial faucets
- Provides years of dependable service
- 1-year limited warranty

Specifications

Materials

Polished chrome plated low lead brass alloy valve body and spout; chrome plated low lead brass alloy valve stems and bonnets; ceramic valve; polished chrome plated zinc die-cast handles with stainless steel screws

Mounting

1/2-14 NPT threaded eccentric female inlets on 8" centers

Options

Wrist blades available

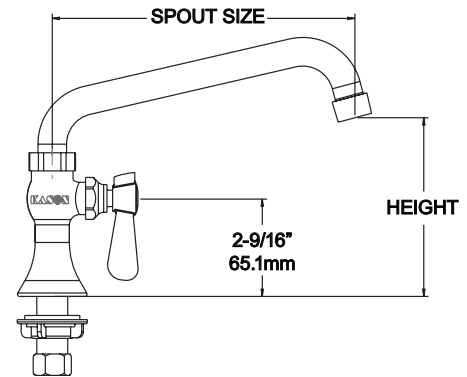
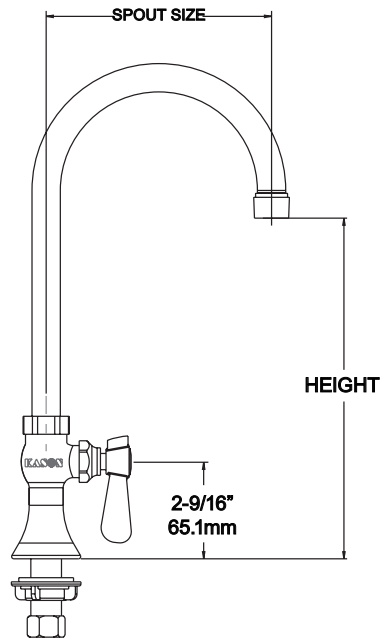
Part No.	Description	Height
60455KL8000	8" Wall Faucet with No Spout	
60455KL8001	8" Wall Faucet with 3-1/2" (89 mm) Gooseneck Swivel Spout	5" (127 mm)
60455KL8002	8" Wall Faucet with 6" (152 mm) Gooseneck Swivel Spout	5-1/8" (130 mm)
60455KL8003	8" Wall Faucet with 8-1/2" (216 mm) Gooseneck Swivel Spout	8-1/2" (216 mm)
60455KL8006	8" Wall Faucet with 6" (152 mm) Swivel Spout	1-11/16" (43 mm)
60455KL8008	8" Wall Faucet with 8" (203 mm) Swivel Spout	1-15/16" (49 mm)
60455KL8010	8" Wall Faucet with 10" (254 mm) Swivel Spout	2-7/8" (73 mm)
60455KL8012	8" Wall Faucet with 12" (305 mm) Swivel Spout	2-9/16" (65 mm)
60455KL8014	8" Wall Faucet with 14" (356 mm) Swivel Spout	3-3/16" (81 mm)
60455KL8016	8" Wall Faucet with 16" (406 mm) Swivel Spout	3-3/16" (81 mm)

Replacement parts shown on page 322 - 323



© 2024 Kason Industries, Inc.
0923 LIT 001

0456KL2000 Series Deck Mount Single Pantry Faucets



- Commercial grade faucets
- Provides years of dependable service
- 1-year limited warranty

Specifications

Materials

Triple chrome plated low lead brass alloy valve body, ceramic valve; polished chrome finished tubular brass spouts

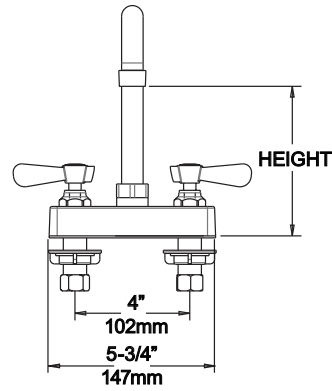
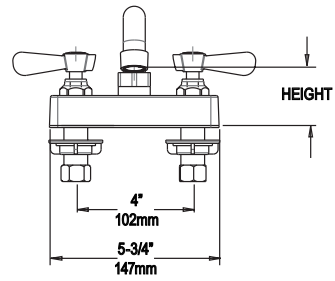
Mounting

1/2" NPS male inlet with 1/4" NPT union tail piece and mounting hardware

Part No.	Description	Height
60456KL2000	Single Deck Spout Base with No Spout	
60456KL2001	Deck Spout Base with 3-1/2" (89 mm) Gooseneck Swivel Spout	8-1/4" (209.5 mm)
60456KL2002	Deck Spout Base with 6" (152 mm) Gooseneck Swivel Spout	8-7/16" (214.3 mm)
60456KL2003	Deck Spout Base with 8-1/2" (216 mm) Gooseneck Swivel Spout	12-7/16" (315.9 mm)
60456KL2006	Deck Spout Base with 6" (152 mm) Swivel Spout	4-7/8" (123.8 mm)
60456KL2008	Deck Spout Base with 8" (203 mm) Swivel Spout	5-1/8" (130.1 mm)
60456KL2010	Deck Spout Base with 10" (254 mm) Swivel Spout	6-1/8" (155.5 mm)
60456KL2012	Deck Spout Base with 12" (305 mm) Swivel Spout	5-7/8" (149.2 mm)
60456KL2014	Deck Spout Base with 14" (356 mm) Swivel Spout	6-1/2" (165.1 mm)
60456KL2016	Deck Spout Base with 16" (356 mm) Swivel Spout	6-1/2" (165.1 mm)

Replacement parts shown on pages 413 - 414





- Economical, commercial faucets
- Provides years of dependable service
- 1-year limited warranty

Specifications

Materials

Polished chrome plated low lead brass alloy valve body and spout; ceramic valve; chrome plated low lead brass alloy valve stems and bonnets; polished chrome plated zinc die-cast handles with stainless steel screws

Mounting

Furnished with 1/2-14 NPS male inlets on 4" centers, with mounting hardware and 3/8" compression sleeves

Options

Wrist blades available

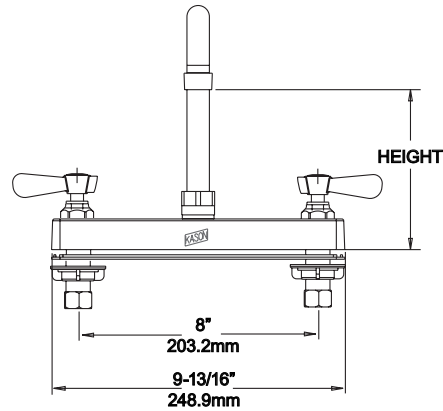
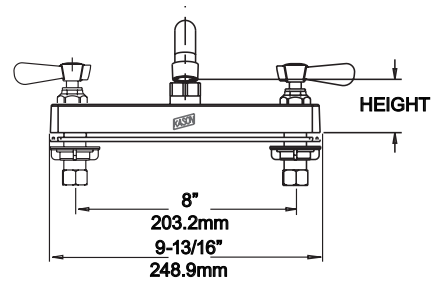
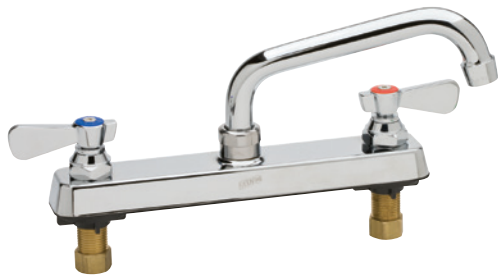
Part No.	Description	Height
60456KL4000	4" Deck Faucet with No Spout	
60456KL4006	4" Deck Faucet with 6" (152 mm) Swivel Spout	2-1/16" (52 mm)
60456KL4008	4" Deck Faucet with 8" (203 mm) Swivel Spout	2-5/16" (59 mm)
60456KL4010	4" Deck Faucet with 10" (254 mm) Swivel Spout	3-1/4" (82 mm)
60456KL4012	4" Deck Faucet with 12" (305 mm) Swivel Spout	3" (76 mm)
60456KL4014	4" Deck Faucet with 14" (356 mm) Swivel Spout	3-5/8" (92 mm)
60456KL4016	4" Deck Faucet with 16" (406 mm) Swivel Spout	3-5/8" (92 mm)
60456KL4801	4" Deck Faucet with 3-1/2" (89 mm) Gooseneck Swivel Spout	5-3/8" (136 mm)
60456KL4802	4" Deck Faucet with 6" (152 mm) Gooseneck Swivel Spout	5-9/16" (14 mm)
60456KL4803	4" Deck Faucet with 8-1/2" (216 mm) Gooseneck Swivel Spout	8-15/16" (227 mm)

Replacement parts shown on page 322 - 323



© 2024 Kason Industries, Inc.
0923 LIT 001

0456KL8000 Series 8" Deck Mount Faucets



- Economical, commercial faucets
- Provides years of dependable service
- 1-year limited warranty

Specifications

Materials

Polished chrome plated low lead brass alloy valve body and spout; chrome plated low lead brass alloy valve stems and bonnets; ceramic valve; polished chrome plated zinc die-cast handles with stainless steel screws

Mounting

1/2-14 NPS male inlets on 8" centers, with mounting hardware and 3/8" compression sleeves

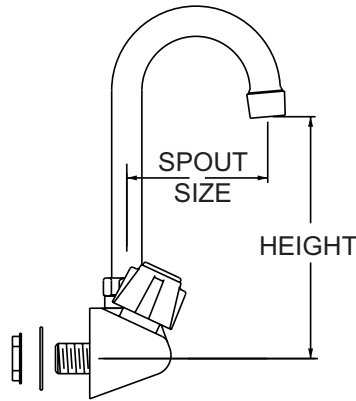
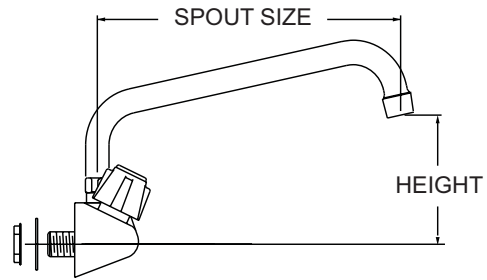
Options

Wrist blades available

Part No.	Description	Height
60456KL8001	8" Deck Faucet with No Spout	
60456KL8001	8" Deck Faucet with 3-1/2" (89 mm) Gooseneck Swivel Spout	5" (127 mm)
60456KL8002	8" Deck Faucet with 6" (152 mm) Gooseneck Swivel Spout	5-3/16" (132 mm)
60456KL8003	8" Deck Faucet with 8-1/2" (216 mm) Gooseneck Swivel Spout	8-9/16" (217 mm)
60456KL8006	8" Deck Faucet with 6" (152 mm) Swivel Spout	1-11/16" (43 mm)
60456KL8008	8" Deck Faucet with 8" (203 mm) Swivel Spout	1-15/16" (49 mm)
60456KL8010	8" Deck Faucet with 10" (254 mm) Swivel Spout	2-7/8" (73 mm)
60456KL8012	8" Deck Faucet with 12" (305 mm) Swivel Spout	2-9/16" (65 mm)
60456KL8014	8" Deck Faucet with 14" (356 mm) Swivel Spout	3-3/4" (82 mm)
60456KL8016	8" Deck Faucet with 16" (406 mm) Swivel Spout	3-3/4" (82 mm)

Replacement parts shown on page 322 - 323





- Economical, commercial faucets
- Provides years of dependable service
- 1-year limited warranty

Specifications

Materials

Copper alloy valve body, stems and bonnets; ceramic valve; polished chrome finished copper alloy cover and spout; polished chrome plated zinc die-cast handles with stainless steel screws

Mounting

Furnished with 1/2-14 NPS male inlets on 4" centers, with mounting hardware

Part No.	Description	Height
60457KL4801	4" Wall Faucet with 3-1/2" (89 mm) Gooseneck Swivel Spout	5-1/16" (129 mm)
60457KL4802	4" Wall Faucet with 6" (152 mm) Gooseneck Swivel Spout	5-1/4" (133 mm)
60457KL4803	4" Wall Faucet with 8-1/2" (216 mm) Gooseneck Swivel Spout	8-5/8" (219 mm)
60457KL4006	4" Wall Faucet with 6" (152 mm) Swivel Spout	1-3/4" (44 mm)
60457KL4008	4" Wall Faucet with 8" (203 mm) Swivel Spout	2" (51 mm)
60457KL4010	4" Wall Faucet with 10" (254 mm) Swivel Spout	2-15/16" (75 mm)
60457KL4012	4" Wall Faucet with 12" (305 mm) Swivel Spout	2-11/16" (68 mm)
60457KL4014	4" Wall Faucet with 14" (356 mm) Swivel Spout	3-5/16" (84 mm)
60457KL4016	4" Wall Faucet with 16" (406 mm) Swivel Spout	3-5/16" (84 mm)

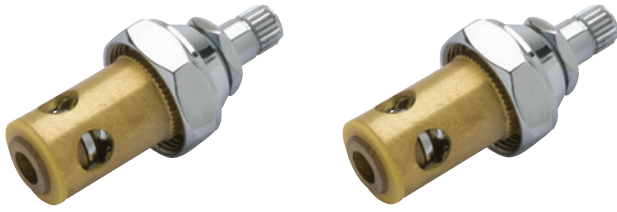
Replacement parts shown on page 322 - 323



© 2024 Kason Industries, Inc.
0923 LIT 001

Aquaware® Elite Replacement Faucet Parts

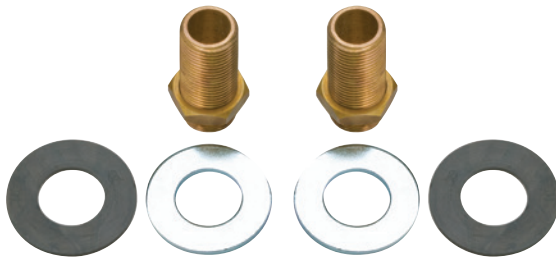
0451KL0024 Replacement Valve, Hot
0451KL0025 Replacement Valve, Cold



0455KL0024 Replacement Valve, Hot
0455KL0025 Replacement Valve, Cold



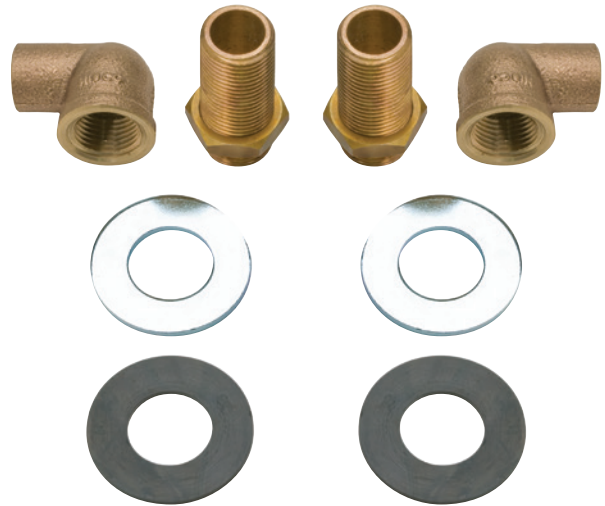
0452KL0700 Deck Mount Inlet Kit



0457KL0007 Replacement Valve, Hot
0457KL0008 Replacement Valve, Cold



0451KL0700 Wall Mount Inlet Kit



Part No.	Description
60451KL0024	Hot Replacement Valve for 0451 and 0452KL Series Faucets Ceramic Cartridge
60451KL0025	Cold Replacement Valve for 0451 and 0452KL Series Faucets Ceramic Cartridge
60455KL0024	Hot Replacement Valve for 0455 and 0456KL Series Faucets
60455KL0025	Cold Replacement Valve for 0455 and 0456KL Series Faucets
60457KL0007	Hot Replacement Valve for 0457 Series Faucets
60457KL0008	Cold Replacement Valve for 0457 Series Faucets
604571KL0700	Wall Mount Inlet Kit
60452KL0700	Deck Mount Inlet Kit

Low Lead brass alloy valve stem and bonnet

Brass alloy valve system

Includes two each of 1/2" NPS nipples, 1/2" NPT street wells, washers and locknuts

Includes two each 1/2" NPS nipples, washers and locknuts.



0455KL0003 Supply Inlet Kit for 0455 Series Faucets



0451KL0021 Lever Handles Kit



0451KL0023 Wrist Blade Handles Kit



0451KL0044 Screen Aerator



0451KL0028/29/30



0451KL0028



0451KL0029



0451KL0030

0451KL0020 Supply Inlet Kit



0451KL0022 Cross Handles Kit



0451KL0016 O-Ring Set for Swivel Spout



Part No.	Description	
60451KL0016	O-Ring Set for Swivel Spout	
60451KL0020	Supply Inlet Kit	
60451KL0021	Lever Handles Kit	Includes two, chrome plated standard handles, hot and cold indicators and mounting screws
60451KL0022	Cross Handles Kit	Includes two, chrome plated cross handles, hot and cold indicators and mounting screws
60451KL0023	Wrist Blade Handles Kit	Includes two, 4-inch, chrome plated wrist handles, hot and cold indicators and screws
60455KL0003	Supply Inlet Kit for 455 Series Faucets	1/2-14 NPT threaded eccentric female inlet for 0451 and 0452 KL faucets
60451KL0044	Screen Aerator	
60451KL0028	Adapter, swivel to rigid	
60451KL0029	Adapter, Rigid to Swivel	
60451KL0030	Adapter, Swivel to Swivel	



Aquaware® Elite Faucet Spouts and Extensions

Gooseneck Swivel Spouts



Swivel Spouts



Spout Extensions

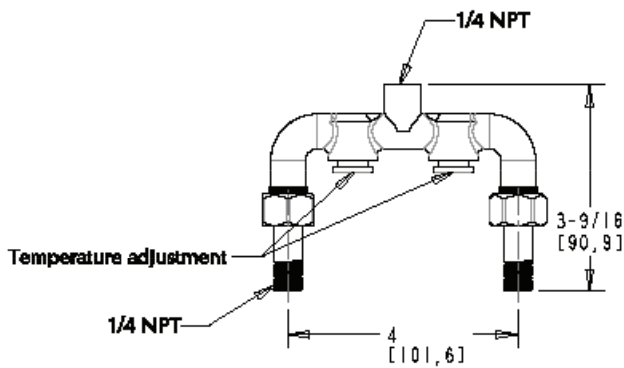


- Heavy-duty chrome plated tubular brass sprouts
- Double O-rings

Part No.	Description
60451KL9006	6" (152 mm) Swivel Spout
60451KL9008	8" (203 mm) Swivel Spout
60451KL9010	10" (254 mm) Swivel Spout
60451KL9012	12" (305 mm) Swivel Spout
60451KL9014	14" (356 mm) Swivel Spout
60451KL9016	16" (406 mm) Swivel Spout
60451KL9801	3-1/2" (89 mm) Gooseneck Swivel Spout
60451KL9802	6" (152 mm) Gooseneck Swivel Spout
60451KL9803	8-1/2" (216 mm) Gooseneck Swivel Spout
60451KL9001	6" (152 mm) Spout Extension
60451KL9002	12" (305 mm) Spout Extension
60451KL9003	10" (254 mm) Spout Extension
60451KL9006	6" (152 mm) Spout
60451KL9008	8" (203.2 mm) Spout Extension

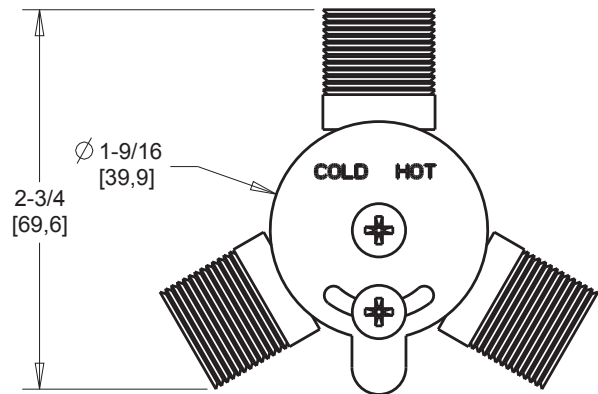


0451KL-39 Mixing Valve



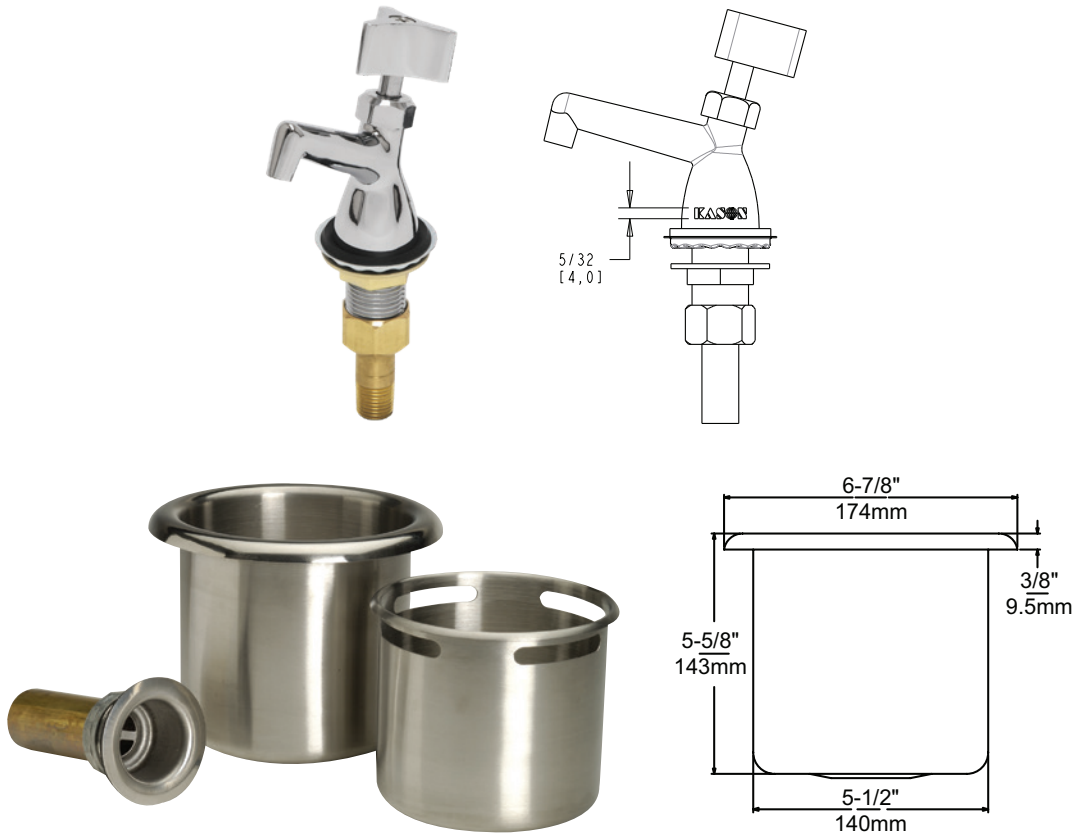
- Ideal for use in commercial and institutional applications
- Mixes hot and cold water to reduce high service water temperature to the building distribution piping system

0451KL-40 Mixing Valve



Part No.	Description
60451KL0039	Temperature Mixing Valve
60451KL0040	Temperature Mixing Valve

7504-202 Dipperwell Assembly



- Fits 6" (150 mm) diameter opening
- 18-8 stainless steel inner and outer shells and drain; nickel plated brass tailpiece
- Mounts with 1/2" NPS male inlet, furnished with male union tailpiece and mounting hardware
- Available as individual parts

Specifications

Materials

Stainless steel shells and drain; highly polished chrome plated faucet

Mounting

1/2" NPS male inlet furnished with male union tailpiece and mounting hardware

Part No.	Description
67504000202	Dipperwell Assembly without Faucet
67504000204	Dipperwell Assembly with Faucet
67504KL0205	Dipperwell Faucet Only



Dipperwell



Faucet



- Fast drainage
- Positive seal
- Snap-in strainer
- Convertible connection
- 1-year limited warranty

Specifications

Materials

Bright nickel plated low lead brass alloy body, stainless steel face flange, strainer and handle; Neoprene head gasket

Connection

2"-11.5 NPT male (external) and 1-1/2"-11.5 female (internal), furnished with 1-1/2"-11.5 male coupling



- Fast drainage
- Positive seal
- Snap-in strainer
- 1-year limited warranty

Specifications

Materials

Bright nickel plated low lead brass alloy body, stainless steel face flange, strainer and handle; Neoprene head gasket

Connection

2"-11.5 NPT male (external)

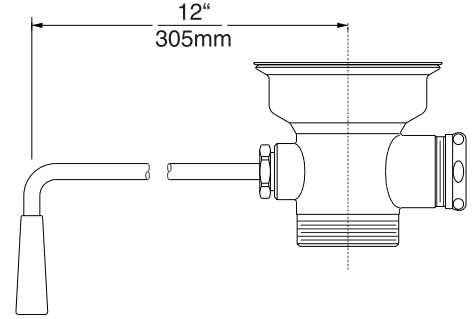
0458-7034 Stainless Steel Waste Outlet Handle Support



Part No.	Description	Sink Opening	NPT	Face Flange Diameter
60458005400	Convertible Waste Outlet	3-1/2" (89 mm)	2" / 1-1/2"	4-1/2" (114 mm)
60458007034	Waste Outlet Handle Support (Order separately)			
60458007200	Economy Waste Outlet	3-1/2" (89 mm)	2"	4-1/2" (114 mm)



0458-1200 Convertible Outlet with Optional Overflow



- Fast drainage
- Positive seal
- Snap-in strainer
- Special value for light duty, general use
- 90 day limited warranty

Specifications

Materials

Bright nickel plated die-cast zinc body; stainless steel face flange, strainer and handle; Neoprene head gasket

Connection

2" - 11.5 NPT male (external); 1-1/2" - 11.5 female (internal)

Part No.	Description	Sink Opening	NPT	Face Flange Dia.
60458001200	Twist Handle Waste Outlet	3-1/2" (89 mm)	2" / 1-1/2"	4-1/2" (114 mm)
60458001500	Twist Handle Waste Outlet with Overflow Head & Elbow			
60458007034	Waste Outlet Handle Support (Shown on Page 419)			





- Fast drainage
- Positive seal
- Snap-in strainer
- 1-year limited warranty

Specifications

Materials

Outlet: Bright nickel plated cast bronze body, stainless steel face flange, strainer and handle; Neoprene head gasket

Overflow Head: Bright nickel plated cast bronze head, stainless steel strainer

Elbow: Bright nickel plated copper alloy tubing

Elbow size: 14" x 18" (356 x 457 mm)

Connection

2"-11.5 NPT male (external) and 1-1/2"-11.5 female (internal), furnished with 1-1/2"-11.5 male coupling; 1-1/4"-11.5 NPS overflow outlet, head and elbow

Part No.	Description	Sink Opening	NPT	Face Flange Diameter
60458006400	Twist-handle operated outlet and overflow outlet only	3-1/2" (89 mm)	2" / 1-1/2"	4-1/2" (114 mm)
60458006500	Twist Handle Waste Outlet with Overflow Head & Elbow	3-1/2" (89 mm)	2" / 1-1/2"	4-1/2" (114 mm)
60458007010	Overflow Head. May be ordered separately			
60458007020	Overflow Elbow. May be ordered separately			
60458007034	Waste Outlet Handle Support (Shown on Page 419)			

© 2024 Kason Industries, Inc.

0923 LIT 001



Convertible Lever Waste with Overflow Assembly



- Fast drainage
- Positive seal
- Snap-in strainer
- Available as complete unit or separate parts
- 1-year limited warranty

Specifications

Materials

Outlet: Bright nickel plated low lead brass alloy body, stainless steel face flange, strainer and handle; Neoprene head gasket

Overflow Head: Bright nickel plated low lead brass alloy head, stainless steel strainer

Elbow: Bright nickel plated low lead brass alloy tubing

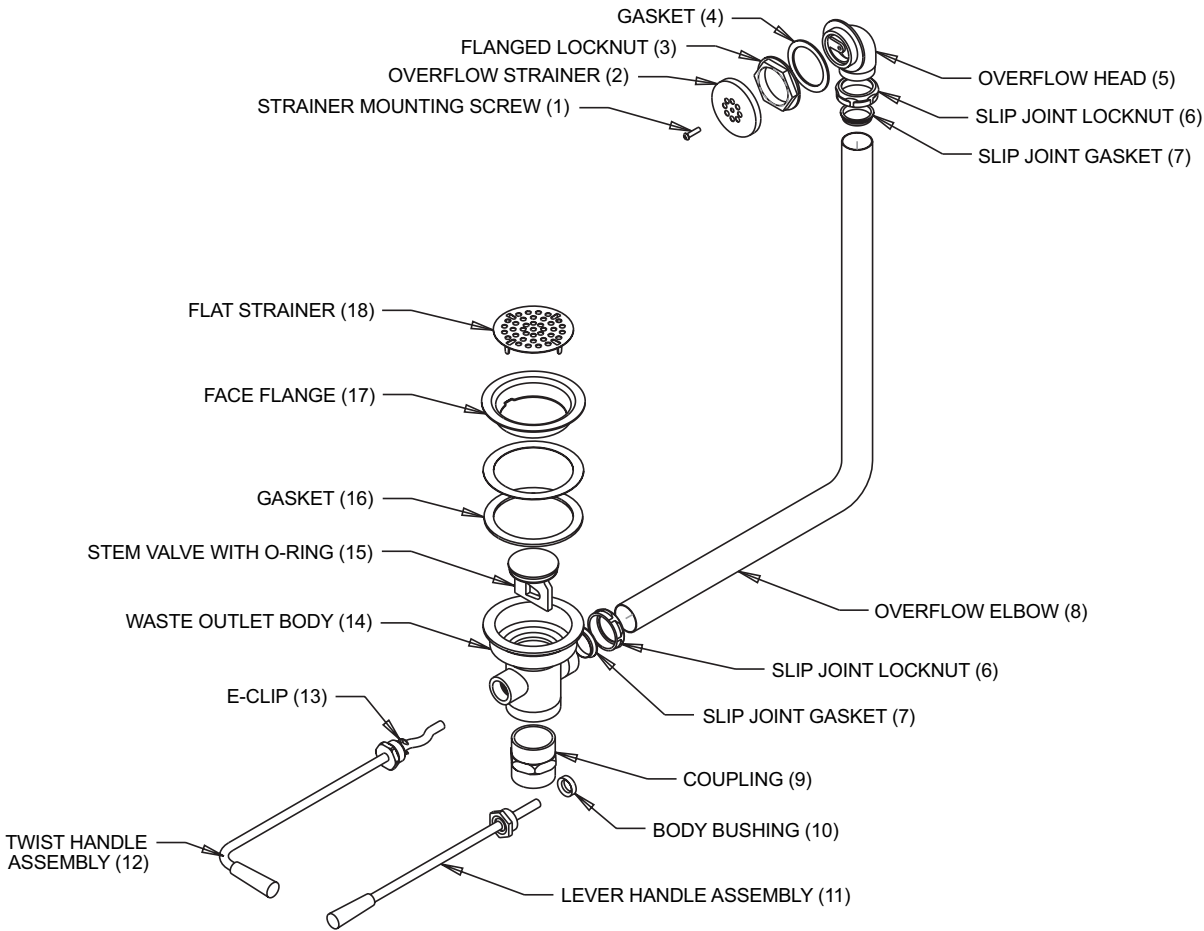
Elbow size: 14" x 18" (356 x 457 mm)

Connection

2" -11.5 NPT male (external) and 1-1/2" -11.5 female (internal), furnished with 1-1/2" -11.5 male coupling; 1-1/4" -11.5 NPS overflow outlet, head and elbow

Part No.	Description	Sink Opening	NPT	Face Flange Diameter
60458004400	Lever-operated waste outlet with overflow outlet	3-1/2" (89 mm)	2" / 1-1/2"	4-1/2" (114 mm)
60458004500	Twist Handle Waste Outlet with Overflow Head & Elbow	3-1/2" (89 mm)	2" / 1-1/2"	4-1/2" (114 mm)
60458007010	Overflow Head. May be ordered separately			
60458007020	Overflow Elbow. May be ordered separately			
60458007034	Waste Outlet Handle Support (Shown on Page 419)			



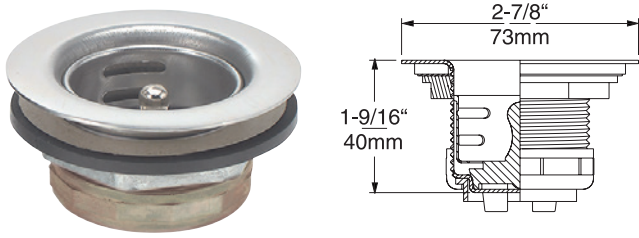


Part No.	Description	
60458007000	Overflow Kit	Includes overflow head assembly (1-7) and overflow elbow (8)
60458007010	Overflow Head Assembly (1-7)	Includes Strainer Mounting Screw (1), Overflow Strainer (2), Flanged Locknut (3), Gasket (4), Overflow Head (5), Slip Joint Locknut (6), and Slip Joint Gasket (7)
60458007020	Elbow (8)	
60458007025	Slip Join Locknut (6) and Slip Joint Gasket (7)	
60458007030	Replacement Cap for Overflow Outlet	
60458007032	Coupling (9)	Drain Adapter, 1-1/2" (38 mm) male
60458007034	Drain Support	
60458007035	Flat Strainer (18)	
60458007036	Rebuild Repair Kit	Includes Twist Handle Assembly (12), E-clip (13), Stem Valve with O-ring (15), and Gasket (16)
60458007037	Overflow Repair Kit	Includes two each of the following: Gasket (4), Slip Joint Locknut (6), and Slip Joint Gasket (7)
60458007038	Lever Handle Assembly Kit	Includes Body Bushing (10) and Lever Handle Assembly (11)
60458007039	Twist Handle Assembly Kit	Includes Twist Handle Assembly (12) and E-clip (13)

© 2024 Kason Industries, Inc.
0923 LIT 001

0463-2000 Series Basket Drains

0463-2004 Mini Basket Drain



- Stainless steel construction.
- Combination removable crumb cup and stopper
- 1-year limited warranty

Specifications

Materials

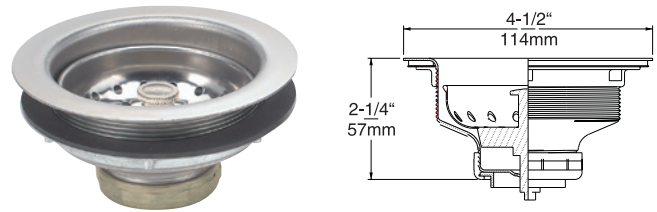
Highly polished #400 stainless steel strainer and drain housing; rubber stopper and flange gasket, die-cast zinc stem, compression nut and lock nut; polypropylene compression sleeve.

0463-5000 Tailpieces



- Available in chrome plated or raw brass
- Furnished with gasket and slip nut

0463-2008 Duo Basket Drain



- Stainless steel construction.
- Combination removable crumb cup and stopper
- 1-year limited warranty

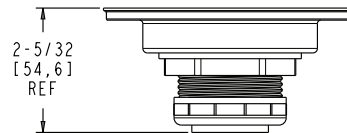
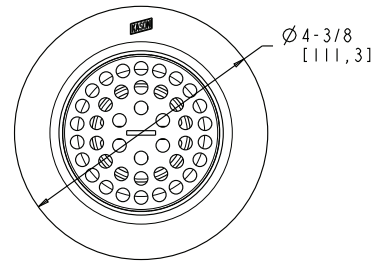
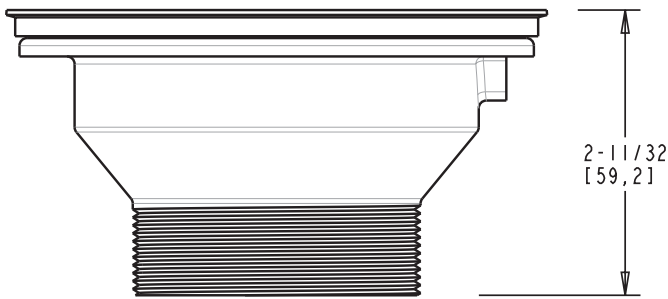
Specifications

Materials

Highly polished #400 stainless steel strainer and drain housing; rubber stopper and flange gasket, die-cast zinc stem, compression nut and lock nut; polypropylene compression sleeve.

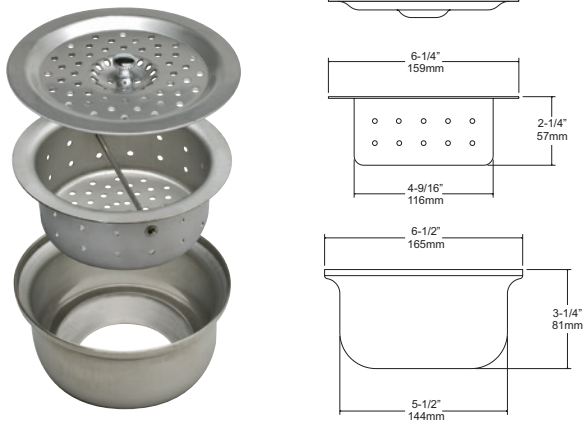
Part No.	Description
6046300002	Crumb Cup for Mini Basket Drain
60463002003	Mini Basket Drain without Crumb Cup
60463002004	Mini Basket Drain
60463002007	Basket Drain w/ Brass Nuts
60463002008	Basket Drain with Zamak Nuts
60463002009	Deep Basket Drain w/ Tailpiece CSA
60463C02004	Mini Basket Drain, Zinc Locknut, Zinc Compression Nut
60463C02005	Mini Basket Drain, Brass Locknut, Brass Compression Nut
60463C02006	Mini Basket Drain, Zinc Locknut, Brass Compression Nut
60463C02007	Basket Drain, Brass Locknut, Brass Compression Nut
60463C02008	Basket Drain, Zinc Locknut, Zinc Compression Nut
60463C02009	Basket Drain, Zinc Locknut, Brass Compression Nut
60463000003	Duo Baskets Only for No. 60463002008
60463005004	Tailpiece w/ Nut, Raw Brass
60463005014	Tailpiece w/ Nut, Chrome Plated Brass
60463005022	Tailpiece Only





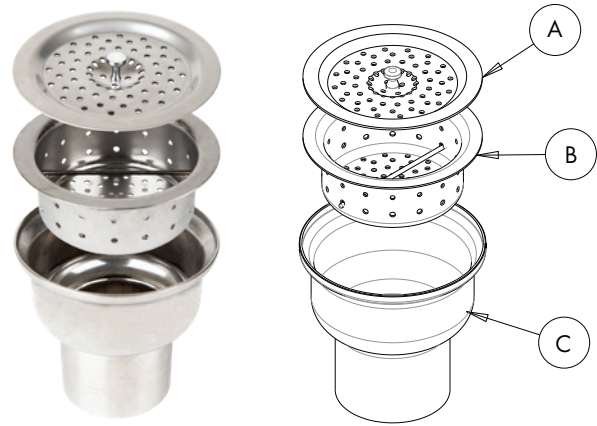
Part No.	Description	Sink Opening	Face Flange Dia.
60463003008	Free Flow Drain for 1" and 1-1/2" drains	3-1/8"	4-3/16"
60463002014	Flat Strainer Drain Ideal for Sinks and Laboratory Equipment	3"	4-3/8"

0463-2010 Box Drain



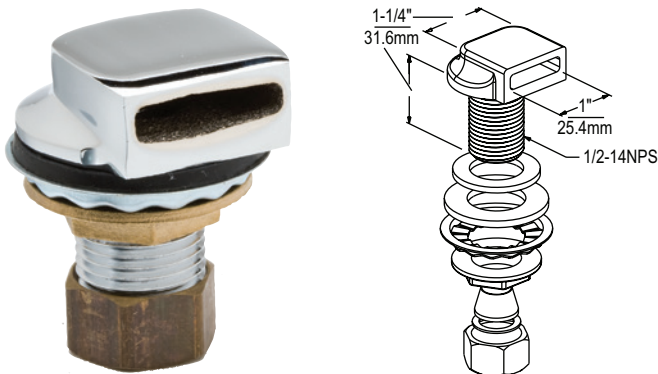
- Weld-in floor drain ideal for kettle troughs, floor troughs, scullery sinks, and walk-in cooler floor drains
- Removable strainer allows for easy clean out
- Helps stop clogs when serviced regularly
- Available as complete unit or separate parts

0463-2016 Box Drain



- Weld-in floor drain
- Visual for surface finish
- Dimensional with calipers
- Ideal for kitchen troughs and cooler floor drains
- Weight: 4.4 lb

0464-0001 Swirl Inlet Kit



- Use on food waste disposer
- Polished chrome plated brass spray head
- Kit includes all mounting hardware

Part No.	Description	Qty.
60463002010	Box Drain, Complete Unit	1
60463002011	Stainless Steel Bowl	1
60463002013	Stainless Steel Cover (A)	1
60463002012	Stainless Steel Strainer (B)	1
60463002016	Box Drain Bowl Assy w/Tailpiece (C)	1
60463002031	Bowl with Extensions	1
60464000001	Swirl Inlet Kit	1



Sink Drains

Part No.	Drain Size	Sink Opening Dia.	Flange Face Dia.	Length	Materials
60459004101	1/2-14 NPS*	15/16" (24 mm)	1-1/4" (32 mm)	2" (51 mm)	Brass/Nickel
60459004102	1/2-14 NPS*	15/16" (24 mm)	1-1/4" (32 mm)	2" (51 mm)	Natural Brass
60459004103	1/2-14 NPS*	15/16" (24 mm)	1-1/4" (32 mm)	3-1/2" (89 mm)	Brass/Nickel
60459004104	1/2-14 NPS*	15/16" (24 mm)	1-1/4" (32 mm)	3-1/2" (89 mm)	Natural Brass
60459004201	3/4-14 NPS	1-1/8" (29 mm)	1-1/2" (38 mm)	1-1/4" (32 mm)	Brass/Nickel
60459004301	1-11.5 NPS	1-3/8" (35 mm)	2" (51 mm)	1-1/2" (38 mm)	Brass/Nickle Plated
60459004302	1-11.5 NPS	1-3/8" (35 mm)	2" (51 mm)	1-1/2" (38 mm)	Natural Brass
60459004303	1-11.5 NPS	1-3/8" (35 mm)	2" (51 mm)	3-1/4" (82 mm)	Brass/Nickel
60459004304	1-11.5 NPS	1-3/8" (35 mm)	2" (51 mm)	3-1/4" (82 mm)	Natural Brass
60459004305	1-11.5 NPS	1-3/8" (35 mm)	2" (51 mm)	4" (101 mm)	Brass/Nickel
60459004306	1-11.5 NPS	1-3/8" (35 mm)	2" (51 mm)	4" (101 mm)	Natural Brass
60459004331	1-11.5 NPS	1-3/8" (35 mm)	2" (51 mm)	1-1/2" (38 mm)	Gray Thermoplastic
60459004332	1-11.5 NPS	1-3/8" (35 mm)	2" (51 mm)	2-7/8" (73 mm)	Gray Thermoplastic
60459004401	1/2-11.5 NPS	2" (51 mm)	3" (76 mm)	1-1/2" (38 mm)	Brass/Nickel
60459004402	1/2-11.5 NPS	2" (51 mm)	3" (76 mm)	1-1/2" (38 mm)	Natural Brass
60459004403	1/2-11.5 NPS	2" (51 mm)	3" (76 mm)	3" (76 mm)	Brass/Nickel
60459004404	1/2-11.5 NPS	2" (51 mm)	3" (76 mm)	3" (76 mm)	Natural Brass
60459004441	1/2-11.5 NPS	2" (51 mm)	2-7/8" (73 mm)	1-1/2" (38 mm)	Stainless Steel
60459004501	2-11.5 NPS*	2-1/2" (64 mm)	3-1/2" (89 mm)	2" (51 mm)	Brass/Nickel
60459004502	2-11.5 NPS*	2-1/2" (64 mm)	3-1/2" (89 mm)	2" (51 mm)	Natural Brass

1-year limited warranty.
 * 1/2" and 2" drains furnished with washers and locknuts.

Stoppers

Part No.	Size	Materials
60459004081	1" (25 mm)	Brass/Nickel
60459004082	1" (25 mm)	Raw Brass
60459004083	1" (25 mm)	Rubber
60459004084	1-1/2" (38 mm)	Brass/Nickel
60459004085	1-1/2" (38 mm)	Raw Brass

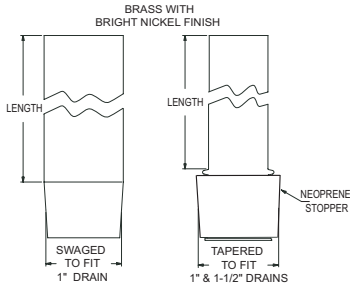
For 1" and 1-1/2" drains

Part No.	Description
60459007000	Economy Overflow Assembly

Washers and Locknuts

Drain Size	Part No.	Materials
1/2" (13 mm)	60459004070	Brass Locknuts
	60459004075	Zinc Locknuts
	60459004090	Rubber Washers
3/4" (19 mm)	60459004071	Brass Locknuts
	60459004076	Zinc Locknuts
	60459004091	Rubber Washers
1" (25 mm)	60459004072	Brass Locknuts
	60459004077	Zinc Locknuts
	60459004092	Rubber Washers
1-1/2" (38 mm)	60459004073	Brass Locknuts
	60459004078	Zinc Locknuts
	60459004093	Rubber Washers
2" (51 mm)	60459004074	Brass Locknuts
	60459004079	Zinc Locknuts
	60459004094	Rubber Washers

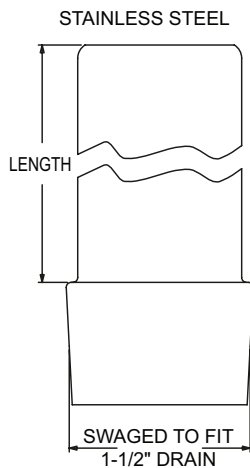
0460-2000 Series Nickel Plated Brass Overflow Tubes



Part No.	Size	Length	Seat Type
60460002270	1" (25 mm)	7" (178 mm)	Neoprene
60460002290	1" (25 mm)	9" (229 mm)	Neoprene
60460002310	1-1/2" (38 mm)	10" (254 mm)	Neoprene
60460002312	1-1/2" (38 mm)	12" (305 mm)	Neoprene
60460002375	1-1/2" (38 mm)	7-1/2" (190 mm)	Neoprene
60460002410	1-1/2" (38 mm)	10" (254 mm)	Swaged
60460002412	1-1/2" (38 mm)	12" (305 mm)	Swaged
60460002475	1-1/2" (38 mm)	7-1/2" (190 mm)	Swaged

For 1-1/2" drains

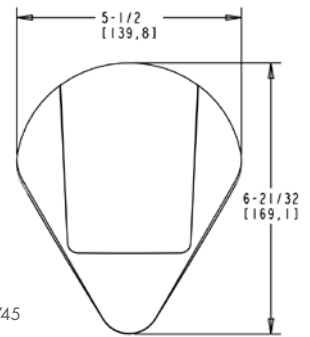
0460-2400 Series Stainless Steel Overflow Tubes



00TJ Toilet Jack



US Patent No. 7,421,745



- Increases weight capacity of a wall-mounted toilet from 300 to 1,000 lb
- Stabilizes and reduces leaks when installed properly
- Latex free
- Meets or exceeds guidelines for:
 - ASME/ANSI
 - Z124.5
 - CSA/IAPMO/UPC
 - JCAHO
- Made in the USA
- Straight forward design. Quickly and easily installs right out of the box
- Mounts discreetly under most manufacturers wall mounted toilets, providing additional vertical support
- Made of stainless steel and silicone in the USA. Stainless steel won't crack or discolor and is more durable and stain, chemical, and fire resistant than ABS, PVC, and many other types of plastic
- Specially engineered leg can be raised (up to 2") to maintain the cleaning ability of a wall mounted fixture
- Available for standard height and ADA height toilets

Part No.	Description
69000TJ1000	Toilet Jack Leg, 4" (For Standard Height)
69000TJ2000	Toilet Jack Leg, 6" (For ADA Handicap Height)
69000TJ3000	Toilet Jack Leg, Telescoping