

1096L Adjustable Door Closer

Part Number: 11096L00004

FEATURES

- Provides closing assistance to move door off dwell
- Torque adjusting feature allows additional force adjustment using a 3/16" hex wrench
- Torque arm pivots on a central shaft with nylon bushings to provide smooth, quiet transmission of torque
- Product accommodates left or right hand door installation
- Door closer designed to work with cam rise or fixed pivot hinges
- Aluminum body construction provides improved corrosion resistance



U.S. Patent No. D-897,816

MATERIALS

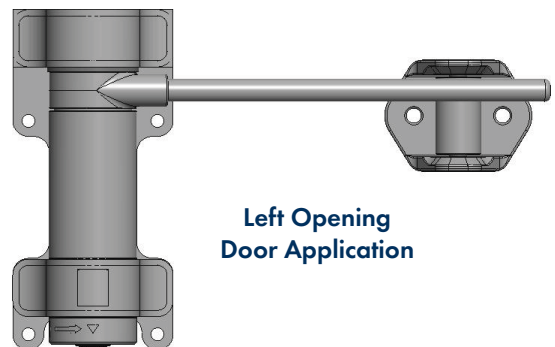
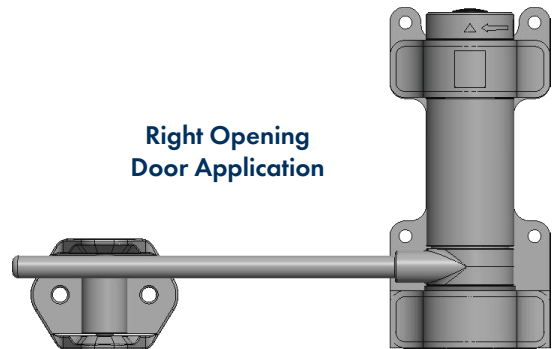
- Torque Adjuster: Die cast aluminum
- Mounting Plate: Aluminum
- Housing: Die cast aluminum
- Springs: Music wire, clear zinc
- Bottom Housing: Die cast aluminum
- Roller: Nylon
- Roller Guide: Die cast aluminum
- Hardware: Stainless steel

MOUNTING

- Flush to 1-1/8" (28.6 mm) offset, max door opening 180 degrees, for offsets higher than 1-1/8" a shim is required (not included)

DESIGN CRITERIA

- Cycle tested to 250,000 cycles
- Roller guide accepts #10 (5.0 mm) fasteners
- Door closer accepts #8 (4.0 mm) fasteners
- Temp range: -40°F to 150°F (-40°C to 65°C)
- Max Force by Arm: 7 lb
- Max Torque: 35 in-lb



Part No.	Description	Wgt./ Carton
11096L00004	Adjustable Door Closer	1.8 lb (0.82 kg)



For operator safety, Model No. 1096L Door Closer should be mounted as low as possible on door. This is a high tension device. Improper use can lead to injury.



1096L Adjustable Door Closer

Part Number: 11096L00004



1096L

1096M

1097

General Purpose	Overcoming the dwell position of walk-in doors with cam rise or spring hinges, so door will not stand open and always self closes, or door closing momentum for small reach-in doors and gates	Door closing momentum for small, medium and large walk-in doors	Door closing momentum for large and very heavy doors only
Door Size	Up to 3' (w) x 8' (h) walk-in doors, or gates and reach-in doors of smaller size	Approx. Range (width x height): 3' x 7' up to 6' x 10'	Approx. Range (width x height): 5' x 7' up to 8' x 10'
Offset Limits	Flush to 1-1/8"	Flush to 2"	Flush to 1-5/8"
Door Weight	10 to 75 lb	50 to 250 lb	200 to 400 lb
Max Torque	35 in-lb	132 in-lb	348 in-lb
Max Force by Arm	7 lb	11 lb	18 lb

Note: Visit kasonind.com to find information on all Kason door closers.

