

1801 LED Hood Lamp

Part Number: 1801LED000

FEATURES

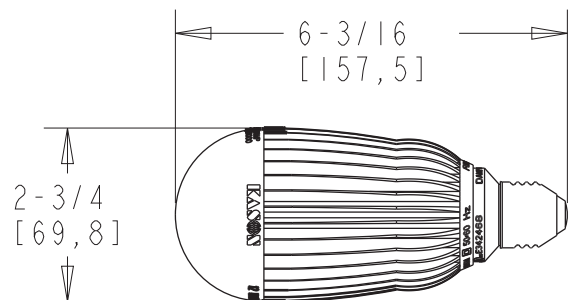
- Only UL listed Edison bas LED bulb rated to 87°C (189°F)
- Designed for the harsh environment above a cooking surface or in a hood
- Preferred lamp for replacing inefficient incandescents & CFL
- Designed to reduce electrical usage by 85%
- Warm 3000K color temperature, perfect for food applications
- Rated 50,000+ hour life
- 5 year limited warranty
- Easy installation, simply screw in to existing fixture, no electrician required

SPECIFICATIONS

- High impact Lexan lens with anti-glare technology
- Total Lamp Lumens: 61801LED: 960
11801LED: 1500
- Lumens/watt: 61801LED: 80
11801LED: 125
- Edison Base Socket
- Power: 115-250 V at 50/60 Hz (line voltage)
- Power Supply Ratings: 12 Watts,
0.14 AMPS @ 120 V
0.07 AMPS @ 240 V



Model No.	Description
61801LED000	12 W LED, hood lamp
61801LED011	12 W LED lamp with clear tempered globe
61801LED044	12 W LED lamp with coated tempered globe
61801LED001	12 W LED lamp with fixture and coated globe
11801LED000	12W LED lamp 1500 lm (special order only)



1801 LED Hood Lamp

Part Number: 1801LED000

Light Distribution for the 618201LED000 Hood Lamp

