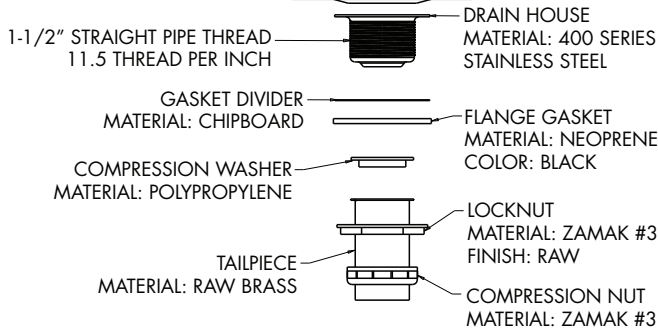
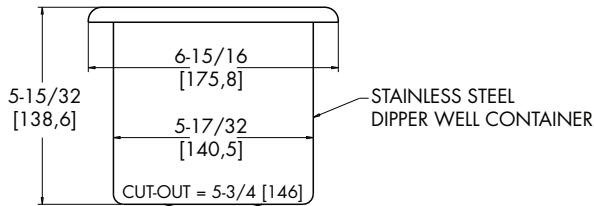
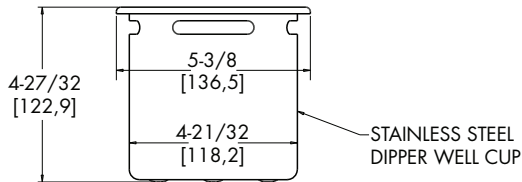
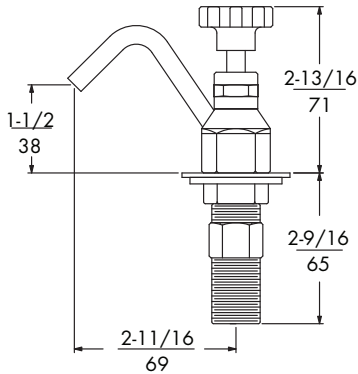




SERVING YOU SINCE 1926

KASON FOOD SERVICE 31-A AMLAJACK BLVD. NEWNAN, GA 30265
1-800-935-2766 WWW.KASONIND.COM



APPLICATION: _____

JOB NAME: _____

QUANTITY: _____ SPECIFIER NO: _____

PRODUCT NAME: DIPPERWELL ASSEMBLY

SPECIAL CONFIGURATION
CHECK BASE MODEL AND OPTIONS

MODEL:

7504-202 ASSEMBLY W/O FAUCET

7504-204 ASSEMBLY W/ FAUCET

7504-205 FAUCET ONLY

FEATURES:

- *COMPLETE WITH WELL, FAUCET, DRAIN, AND TAILPIECE.
- *FITS 6" DIAMETER OPENING.
- *18-8 STAINLESS STEEL INNER AND OUTER SHELLS.
- *AB1953 COMPLIANT FAUCET.

MATERIALS:

- *STAINLESS STEEL SHELLS AND DRAIN.
- *HIGHLY POLISHED CHROME PLATED FAUCET.
- *BRASS TAIL PIECE.

APPROVALS: _____

DATE: _____