

0057E SecureGuard™ Security Latch with Electronic Flush Strike

Part Number: 10057E00008/10057EK0008

! WARNING



Entrapment and Freeze Hazards

Failure to follow the installation and testing procedures may result in personnel being entrapped and subject to extreme cold, freezing temperature and possibly death. See page 8 for testing procedures.

The door hardware includes a SecureGuard™, SafeGuard® latch, which is designed with a push bar latch that will release the door to open from the inside. Extreme or harsh use conditions of the latch, inside release, strike, key driven shaft or door, may damage or impair function of the door. For this reason, it is important to inspect and test the function of the latch, strike, key driven shaft and inside release daily before entering the walk-in. Should the outside key or inside push bar latch fail to release the door to open, do not enter the walk-in and report the problem to management so that the door, latch, key driven shaft or strike may be serviced by a professional.

PRE-ASSEMBLY NOTES

1. All mounting hardware for inside latch, outside handle, and strike are included (10488CR0024 C845 Rivet Nut Hand Tool not included)
2. A metal tapping plate is recommended inside jamb panel for securing strike
3. When installing the latch in a door that opens in opposite direction from shown, rotate the template 180°
4. For doors less than 3-7/8" thick, trim parts as seen in Fig 3. to prevent binding of locking mechanism (Not recommended for doors less than 3-1/2" thick)
5. See pages 7 and 8 for product warning and test procedures

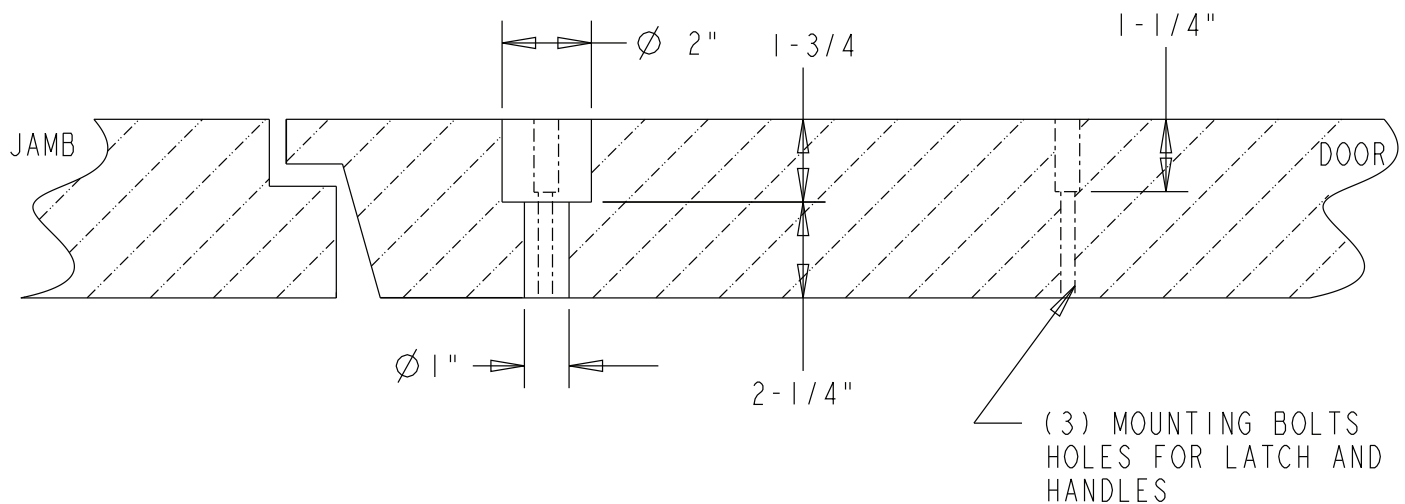
MARK AND DRILL HOLES

Use provided paper templates to mark and drill hole locations. Drill straight thru-holes from the inside-out to ensure proper alignment with the @outside mounting plate.

1. Follow instructions on 0057 Inside Latch Template (see paper template 57TEMPLATE3)
2. Follow instructions on Strike Mounting Template (see PAGE 4 of 9)

Note: Fig. 1 shows appearance of holes

FIG. 1



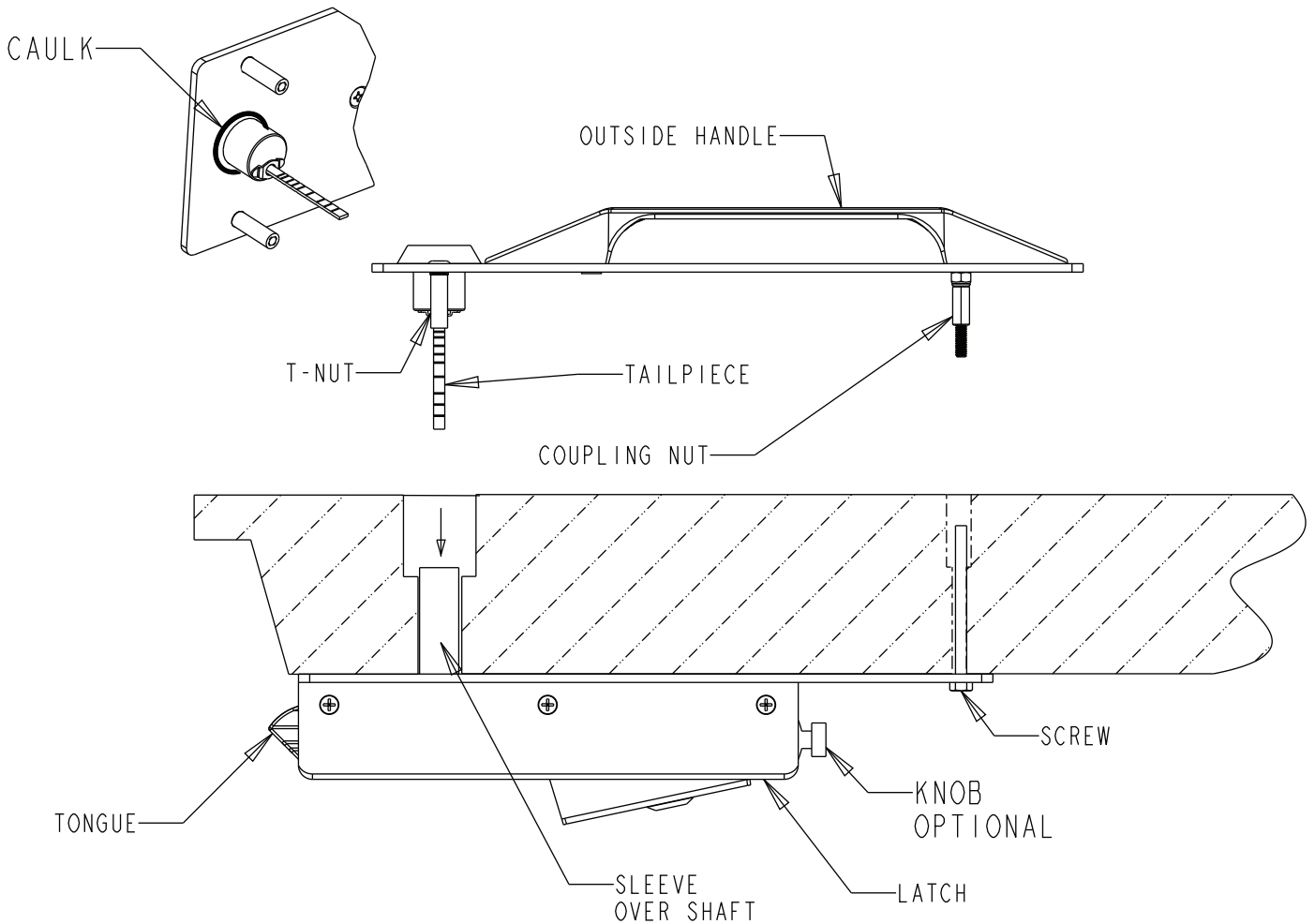
0057E SecureGuard™ Security Latch with Electronic Flush Strike

Part Number: 10057E00008/10057EK0008

MOUNT LATCH AND OUTSIDE HANDLE TO DOOR

1. Caulk back of outside handle plate around the perimeter of the cylinder to seal against door
2. Locate latch on inside of door, with shaft inserted through 1" diameter hole in insulation and insert sleeve over the shaft
3. Insert (3) bolts through mounting holes as shown. Hold latch in place while attaching outside handle
4. Insert tailpiece into the sleeve and shaft, with tailpiece fitting into the space created by the cross pin through the shaft
5. With tailpiece engaged with shaft, align the t-nuts with adapter inserted in shaft. Align the T-nuts and coupling nut with mounting holes and fully insert the assembly until plate is flush with door surface
6. Engage the (3) mounting bolts with the handle nuts and tighten. Use the extra washers provided if screws bottom out inside nuts before tightening

FIG. 2



0057E SecureGuard™ Security Latch with Electronic Flush Strike

Part Number: 10057E00008/10057EK0008

TEST LATCH FUNCTION

1. Turning key in cylinder on outside of door should rotate tongue into latch with about 1/4 turn of the key
2. Pushing inside lever should operate tongue and allow door to open
3. Tongue and tip of latch cover should clear jamb when opening door
4. Affix warning and testing decals as shown in Fig. 3

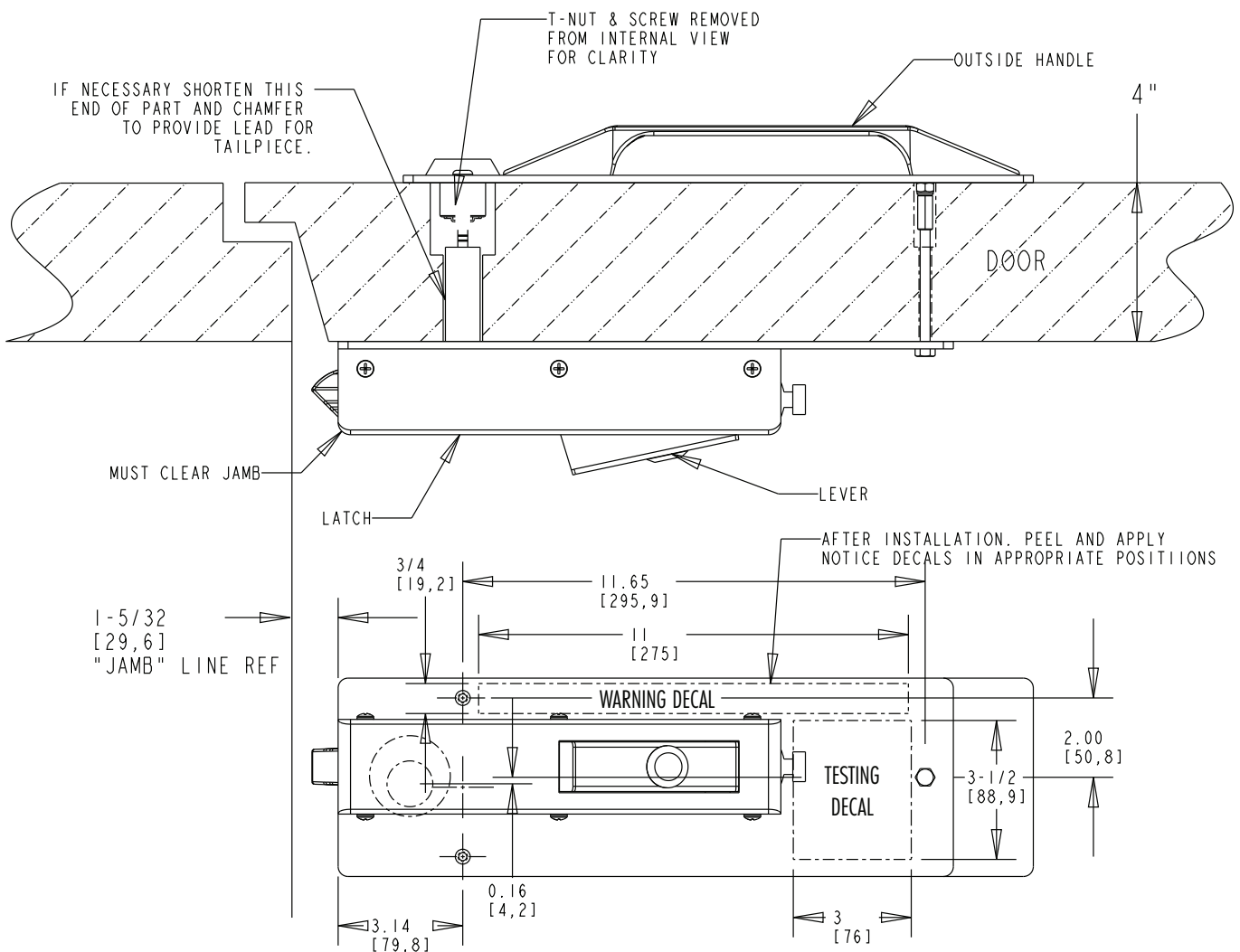
MOUNT STRIKE

1. Drill holes for mounting strike per the template on page 4 (Use plus nuts included if tapping)
2. Either tap for 1/4-20 fasteners directly, or drill for and attach plus nuts if a tapping plate is not used (10488CR0024 rivet nut hand tool required, but not included)
3. See page 5 for finalizing strike assembly on jamb

Notes:

- Fig. 3 shows the installed latch and handle along with mount reference dimensions
- Latch automatically locks upon closing door and must be unlocked with key from outside to open
- From inside, push lever to open door. The inside lever always overrides outside lock

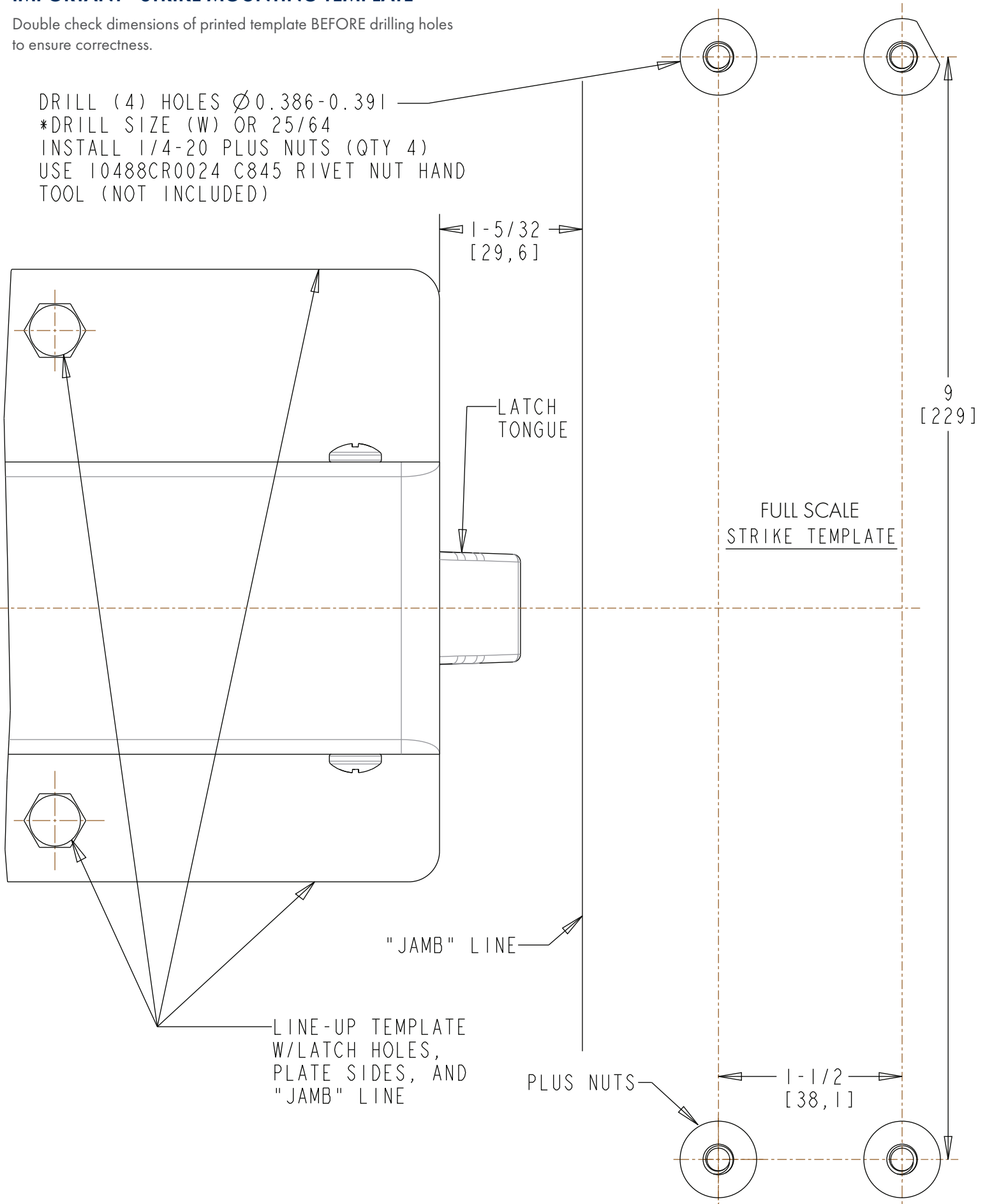
FIG. 3



IMPORTANT - STRIKE MOUNTING TEMPLATE

Double check dimensions of printed template BEFORE drilling holes to ensure correctness.

DRILL (4) HOLES $\varnothing 0.386-0.391$
*DRILL SIZE (W) OR 25/64
INSTALL 1/4-20 PLUS NUTS (QTY 4)
USE 10488CR0024 C845 RIVET NUT HAND
TOOL (NOT INCLUDED)



0057E SecureGuard™ Security Latch with Electronic Flush Strike

Part Number: 10057E00008/10057EK0008

ELECTRONIC STRIKE INSTALLATION

1. Install (4) 1/4" mounting screws and washers through rectangular holes in strike plate and spacer as shown in Fig. 4 (Do not fully tighten)
2. Center strike plate and spacer on 0057 latch tongue and tighten screws as shown in Fig. 5
Note: For initial setup adjust plate to approximately 1-5/32"

FIG. 4

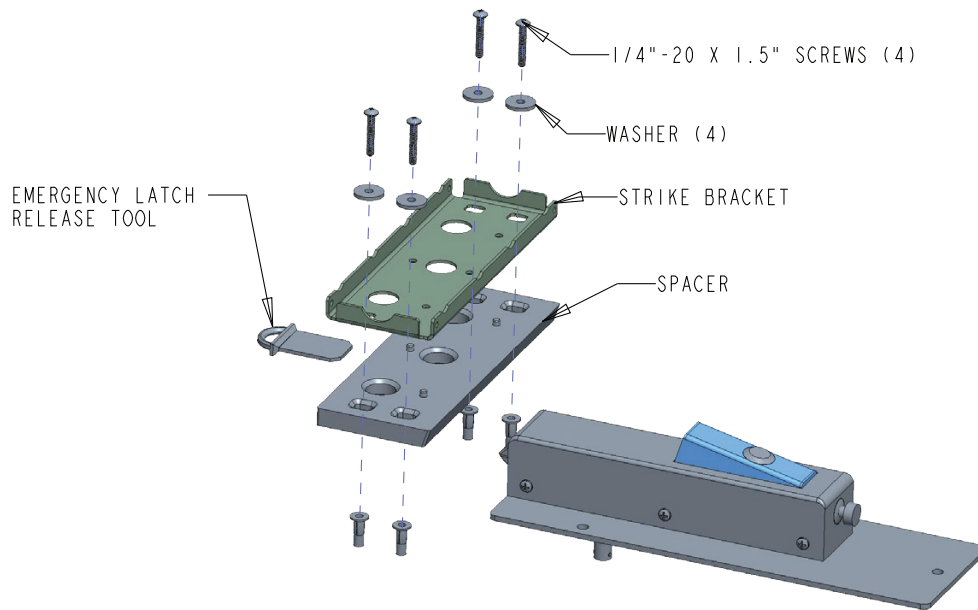
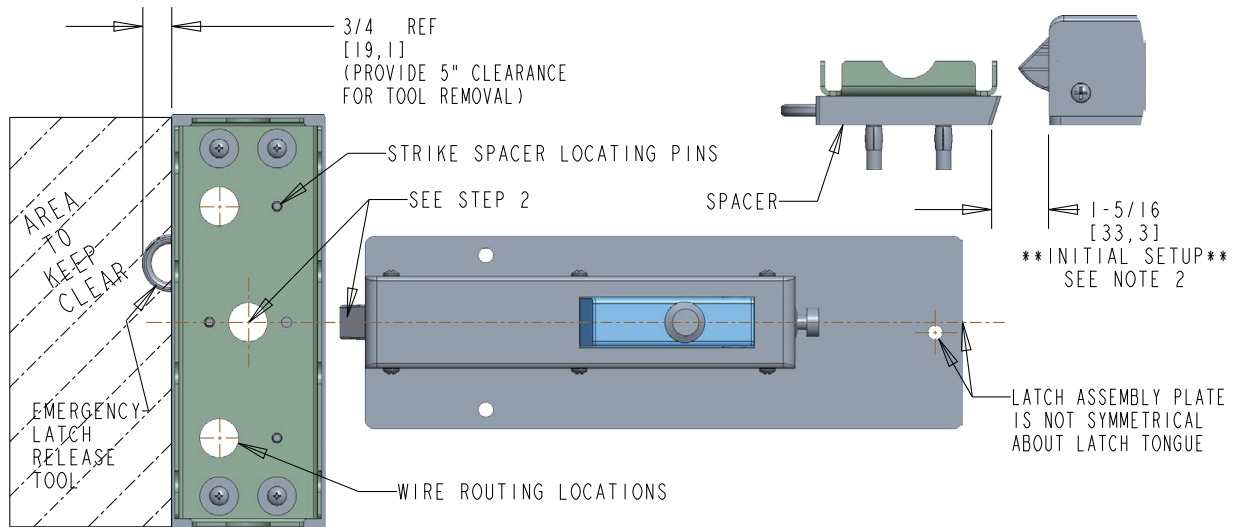


FIG. 5

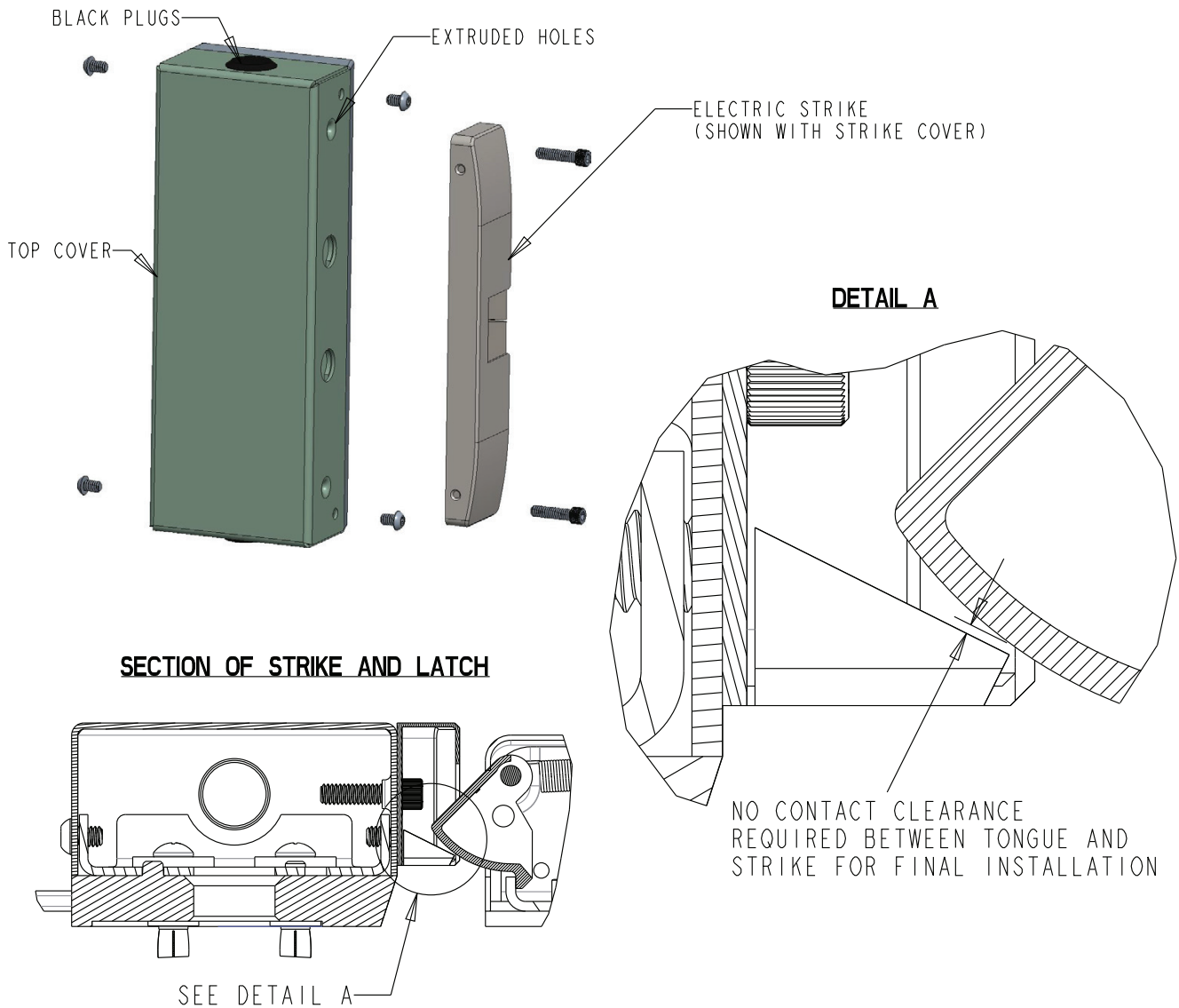


0057E SecureGuard™ Security Latch with Electronic Flush Strike

Part Number: 10057E00008/10057EK0008

- Use Assa Abloy 9600 Electric Strike installation directions included to install electric strike on top cover
 - Once electric strike is installed on top cover, install top cover on base plate and verify strike, latch tongue fitup. Adjust as necessary (leave strike cover off for this step)
 - Temporarily attach top cover assembly to the strike plate and check fit and function with latch tongue (extra holes can be used to lock position of base plate)
 - Adjust the strike closer or further from latch to ensure there is no preload on tongue that would prevent it from fully latching (See Detail A below)
 - If no conduit connections are required, plug 2 holes with included black plugs, top and bottom. If conduit connection is required, use a 1/2" compression conduit style connection (not included)
- Note:** Only connect low voltage 12 V - 24 V wiring connections inside strike housing

FIG. 6

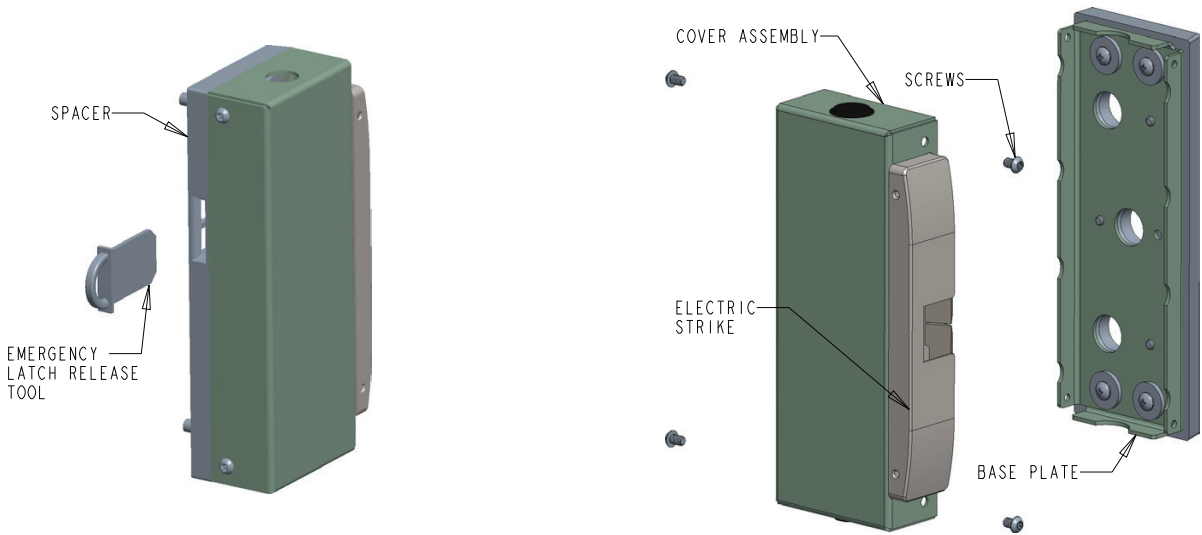


0057E SecureGuard™ Security Latch with Electronic Flush Strike

Part Number: 10057E00008/10057EK0008

- If no conduit connections are required, plug 2 holes with included black plugs (top and bottom)
- If conduit connection is required use a 1/2" compression conduit style connection (not included)
- **Note:** Only connect low voltage 12 V - 24 V wiring connections inside strike housing
- Wire electric strike per manufacturing requirements (Instructions included)
- Mount assembly to base plate with (4) 1/4-20 x 3/8" security screws (use T27 wrench to install)
- Verify strike, tongue fitup again before tightening screws

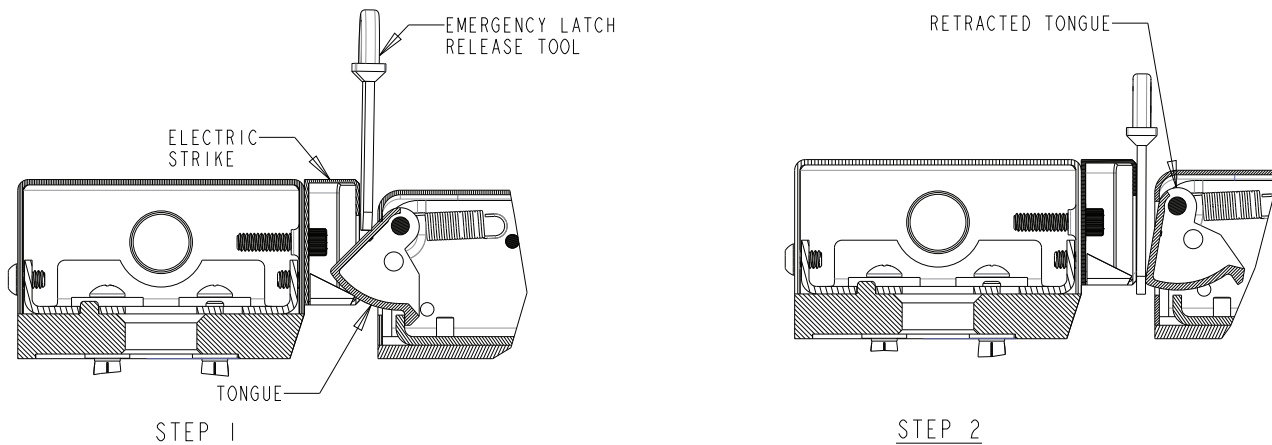
FIG. 7



⚠ WARNING

In the unlikely event that the 0057E Inside Release does not function as intended, an emergency latch release tool is included in strike spacer (shown above). This can be used to retract tongue by pushing tool through as shown in Fig. 8, and on page 9.

FIG. 8



0057E SecureGuard™ Security Latch with Electronic Flush Strike

Part Number: 10057E00008/10057EK0008

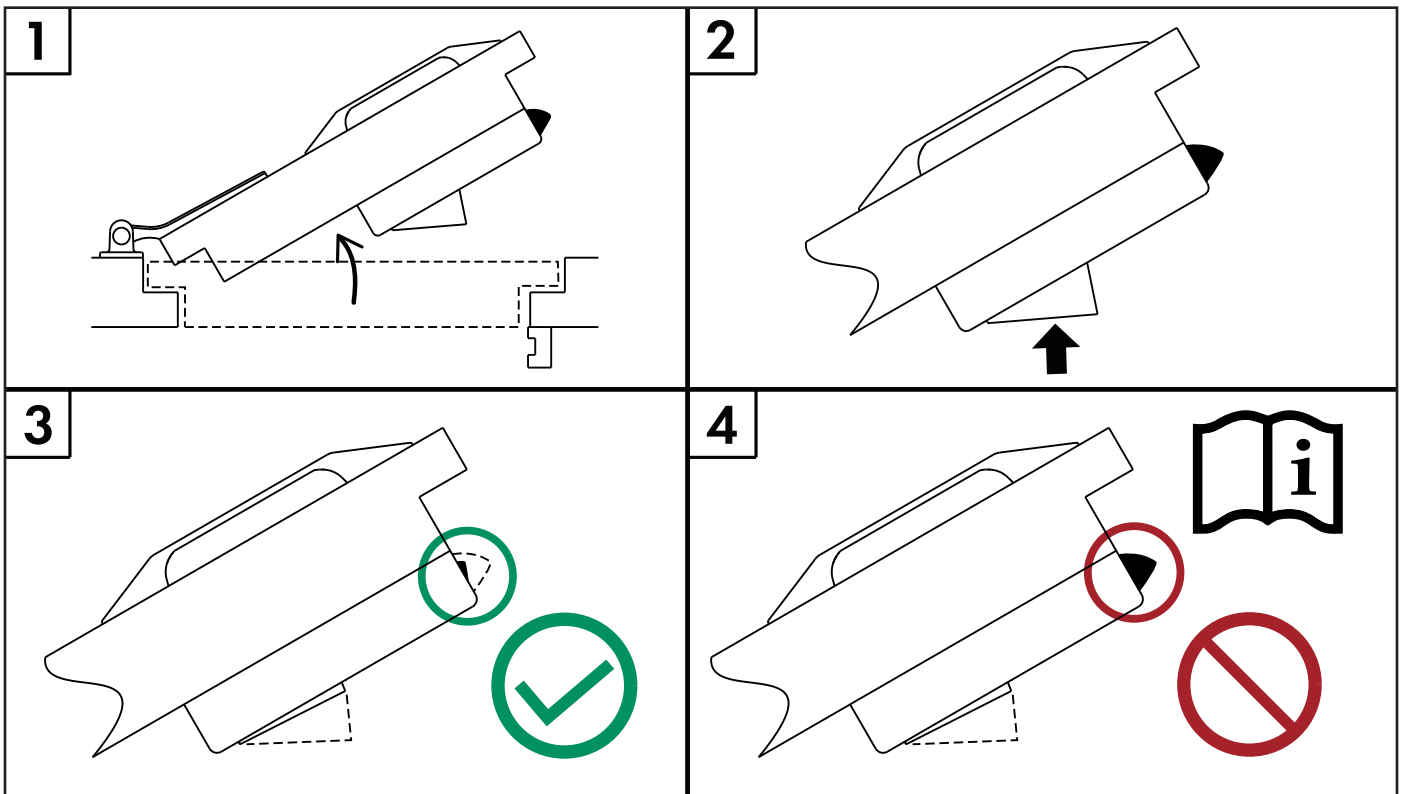
WARNING



Entrapment and Freeze Hazards

Failure to follow the installation and testing procedures may result in personnel being entrapped and subject to extreme cold, freezing temperature and possibly death.

The door hardware includes a SecureGuard, SafeGuard latch, which is designed with a push bar latch that will release the door to open from the inside. Extreme or harsh use conditions of the latch, inside release, strike, key driven shaft or door, may damage or impair function of the door. For this reason, it is important to inspect and test the function of the latch, strike, key driven shaft and inside release daily before entering the walk-in. Should the outside key or inside push bar latch fail to release the door to open, do not enter the walk-in and report the problem to management so that the door, latch, key driven shaft or strike may be serviced by a professional.



See diagrams above, and follow these steps to test the function of the latch, inside release, strike, key driven shaft and door:

1. Use the outside key to release the door and swing it open (door opening indicates key driven shaft is working)
2. Press the inside latch bar into the latch housing and observe the latch tongue
3. If latch tongue pulls most of the way into the latch housing (indicates inside release is working, walk-in is safe to enter), go back to Step 1 and repeat using electronic access card
4. If latch tongue fails to pull into latch housing (indicates inside release is not working), **DO NOT ENTER** walk-in and notify management to have the door serviced

0057E SecureGuard™ Security Latch with Electronic Flush Strike

Part Number: 10057E00008/10057EK0008

EMERGENCY DOOR OPENING PROCEDURE

In case of an Emergency and push bar fails to release the door:

1. Locate the Emergency Latch Release Tool below the strike box and pull it out of the storage slot
2. Insert the tool between the latch housing and strike to wedge the latch tongue, and force it to retract inside the latch housing
3. Push the door open

Check daily for the presence of the Emergency Latch Release Tool.

