

0057 SecureGuard™ e-Lock PLUS High Security Latch

Part Number: 0057-314/0057-315

WARNING		<p>Entrapment and Freeze Hazards</p> <p>Failure to follow the installation and testing procedures may result in personnel being entrapped and subject to extreme cold, freezing temperature and possibly death. See page 5 for safety testing procedure.</p>
----------------	--	---

LATCH INSTALLATION INSTRUCTIONS

NOTE: The high security lock will be setup from the factory with the lever in the proper orientation for intended application.

- All mounting hardware for inside latch and outside handle is included
- Installer must supply strike mounting hardware, (2) 1/4" dia. fasteners
- A metal tapping plate is recommended inside jamb panel for securing strike
- An optional thru-bolt mounted strike is available for field installations. Order number 10057000017
- When installing the latch in a door that opens in the opposite direction from shown, rotate the template 180°
- For doors less than 3-7/8" thick, trim parts as needed

1. Mark and drill holes (Templates and Fig. 1)

- Use the full size template included at the end of the instructions booklet to mark positions and drill all holes. Start with (1) inside latch
- **Note:** Template illustrations may vary visually from product being installed, but does not affect installation.
- Follow instructions on templates. Drill thru-holes from inside as straight as possible because outside plate position is aligned with these holes
- Fig. 1 shows appearance of holes prior to installing the hardware

2. Mount latch and outside handle to door (Fig. 2)

- Caulk back of outside handle plate around the perimeter of the cylinder to seal against door
- Attach nuts to rods
- Locate latch on inside of door, with shaft inserted through 1" dia. hole in insulation
- Insert (3) threaded rods and acorn nuts through mounting holes as shown. Hold latch in place while attaching outside handle
- Insert tail-piece through sleeve and into shaft by aligning flat with the pin in the shaft (see **Detail A**). Position outside handle as shown while adjusting outside plate if necessary
- With tail-piece inserted in shaft, align the T-nuts with mounting holes and fully insert the assembly until plate is flush with door surface
- Engage the (3) threaded rods with the handle nuts and tighten. Use the extra washers provided if screws bottom out inside nuts before tightening

FIG. 1

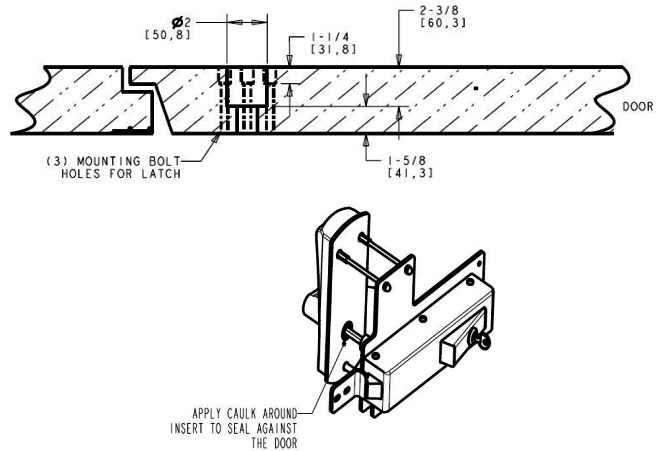
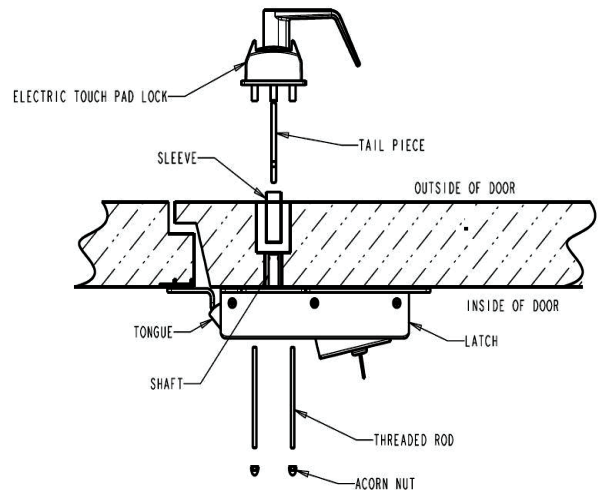
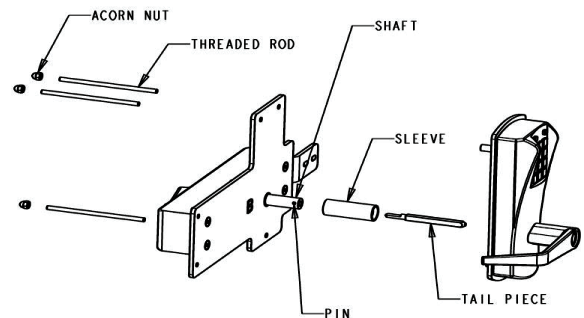


FIG. 2



DETAIL A



0057 SecureGuard™ e-Lock PLUS High Security Latch

Part Number: 0057-314/0057-315

3. Test Latch Function

- Type in code (1, 2, 3, 4, 5, 6, 7, 8) and hit enter, then turn knob on outside of door 90°. This should operate tongue and allow door to open
- Pushing inside lever should operate tongue and allow door to open
- Tongue and tip of latch cover should clear jamb when opening door

4. Mount Strike (Fig. 3)

- Mount strike at holes drilled with template (see page 3). Use 1/4" fasteners (not included)
- Use strike slots to adjust strike position relative to tongue for desired fit

General Notes:

- Fig. 3 shows the installed latch, handle, and strike, along with mount reference dimensions
- Latch automatically locks upon closing door and must be unlocked with code from outside to open
- From inside, push lever to open door. The inside lever always overrides outside lock
- To temporarily deactivate the outside lock, push and hold lever in and operate lever lock with key to lock down lever. This will hold tongue in the retracted position, unlocking the latch

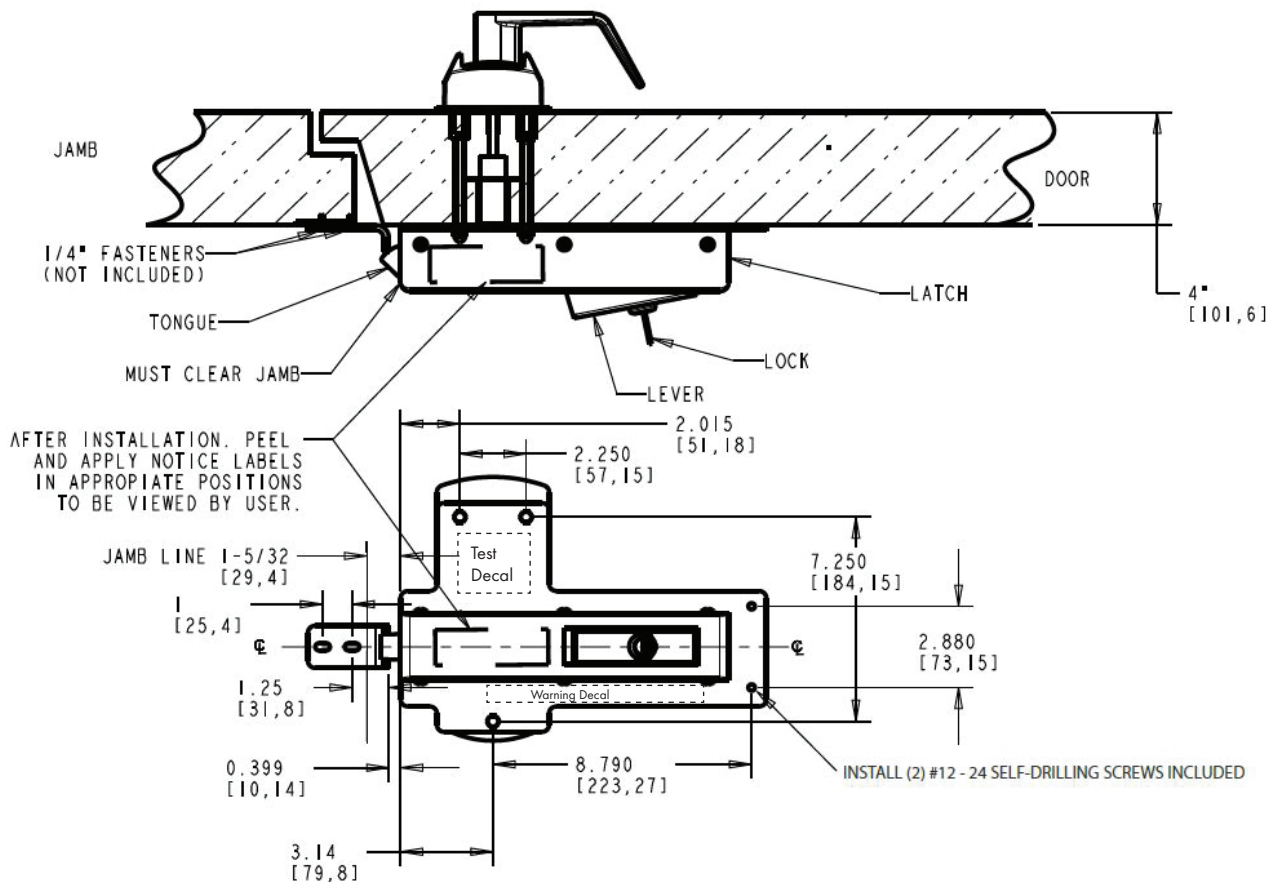
PROGRAMMING THE LOCK

For help programming the lock, click or type the link below to watch the video or scan the QR code.

<https://youtu.be/CbeL10LMxOo>



FIG. 3



0057 SecureGuard™ e-Lock PLUS High Security Latch

Part Number: 0057-314/0057-315

OPTIONAL QUICK RELEASE LATCH BYPASS FUNCTION

1. Turn knob as shown in Fig. 4. Push down lever. Tongue should be retracted into housing
2. To reset into lock position as shown in Fig. 5, pull knob out and rotate. Lever will be released and tongue will be extended

FIG. 4

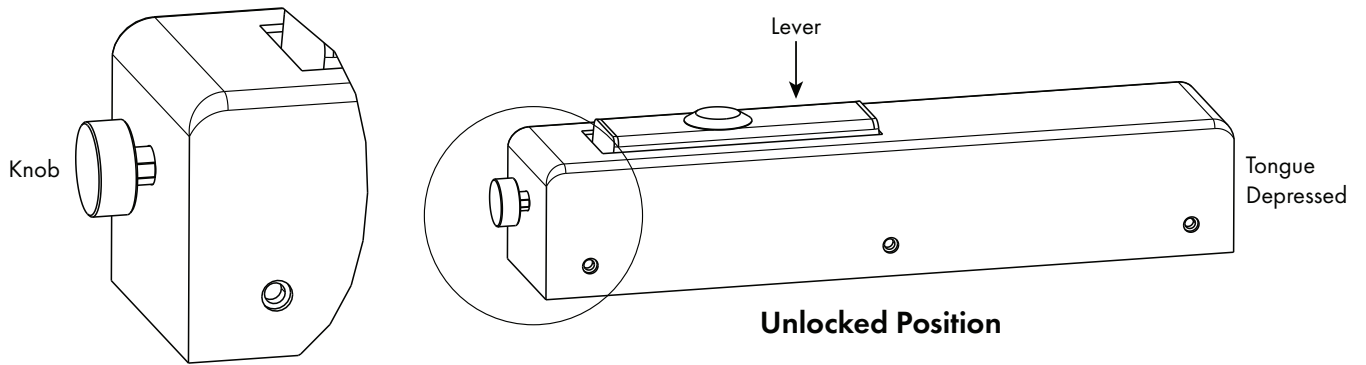
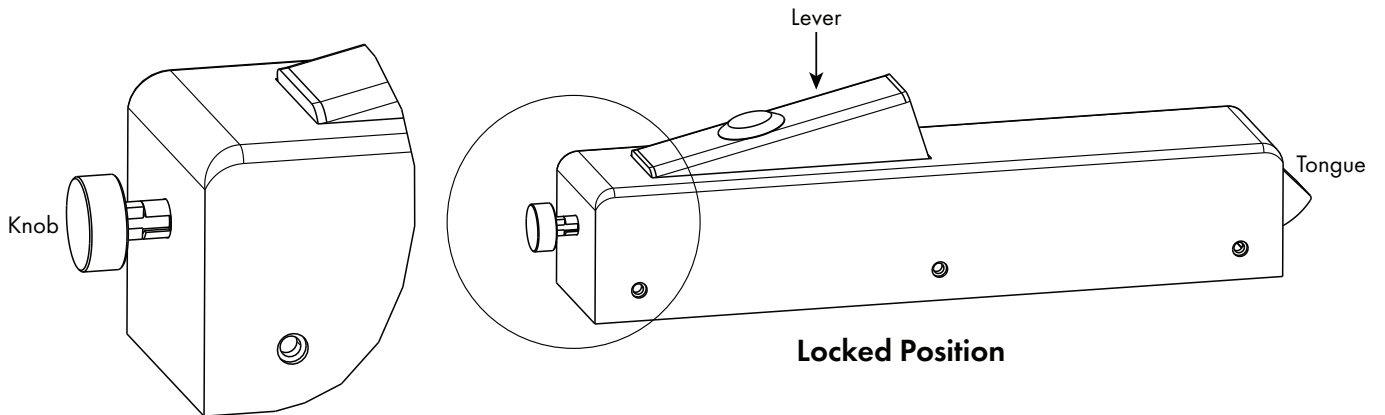
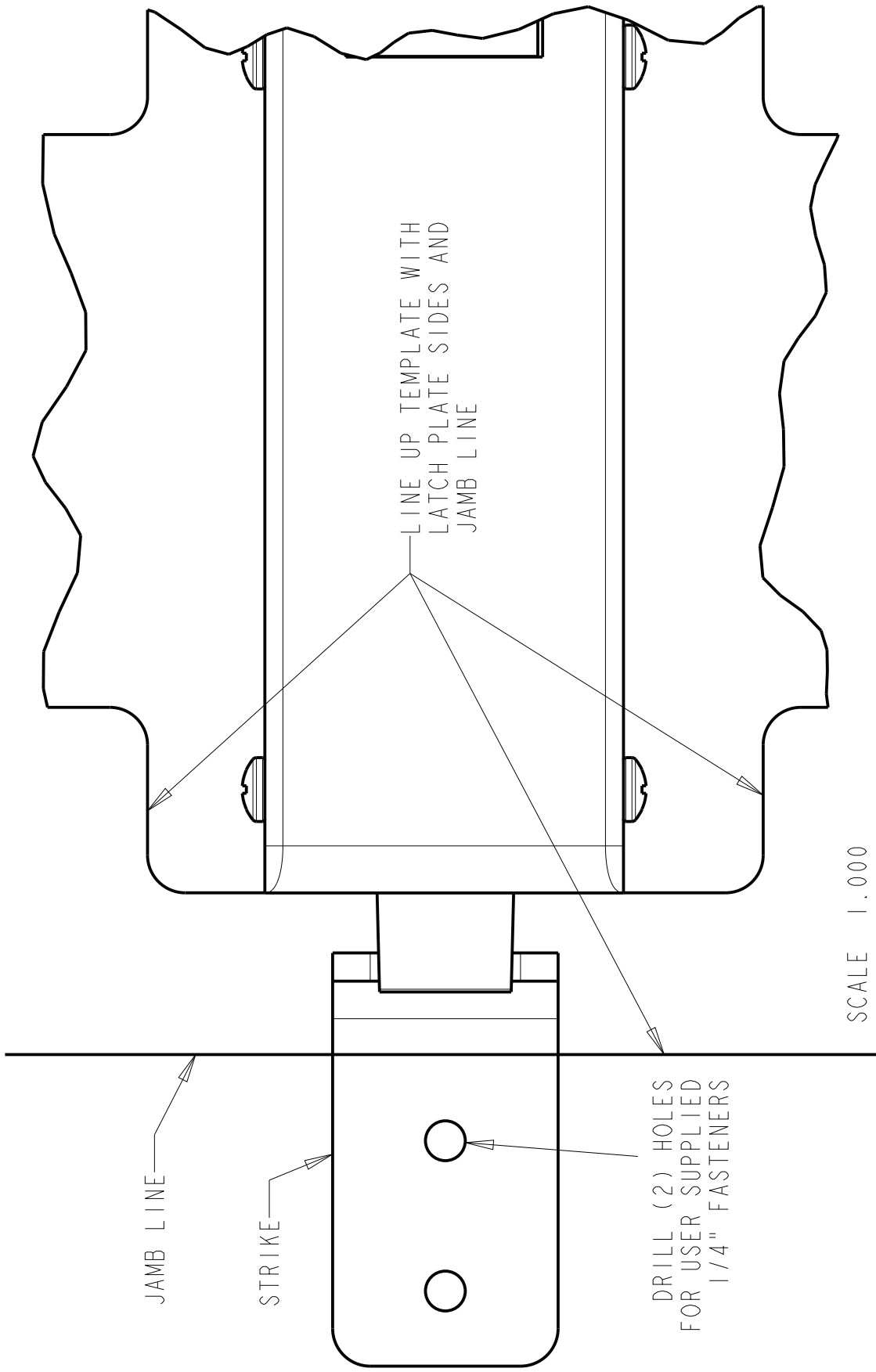


FIG. 5



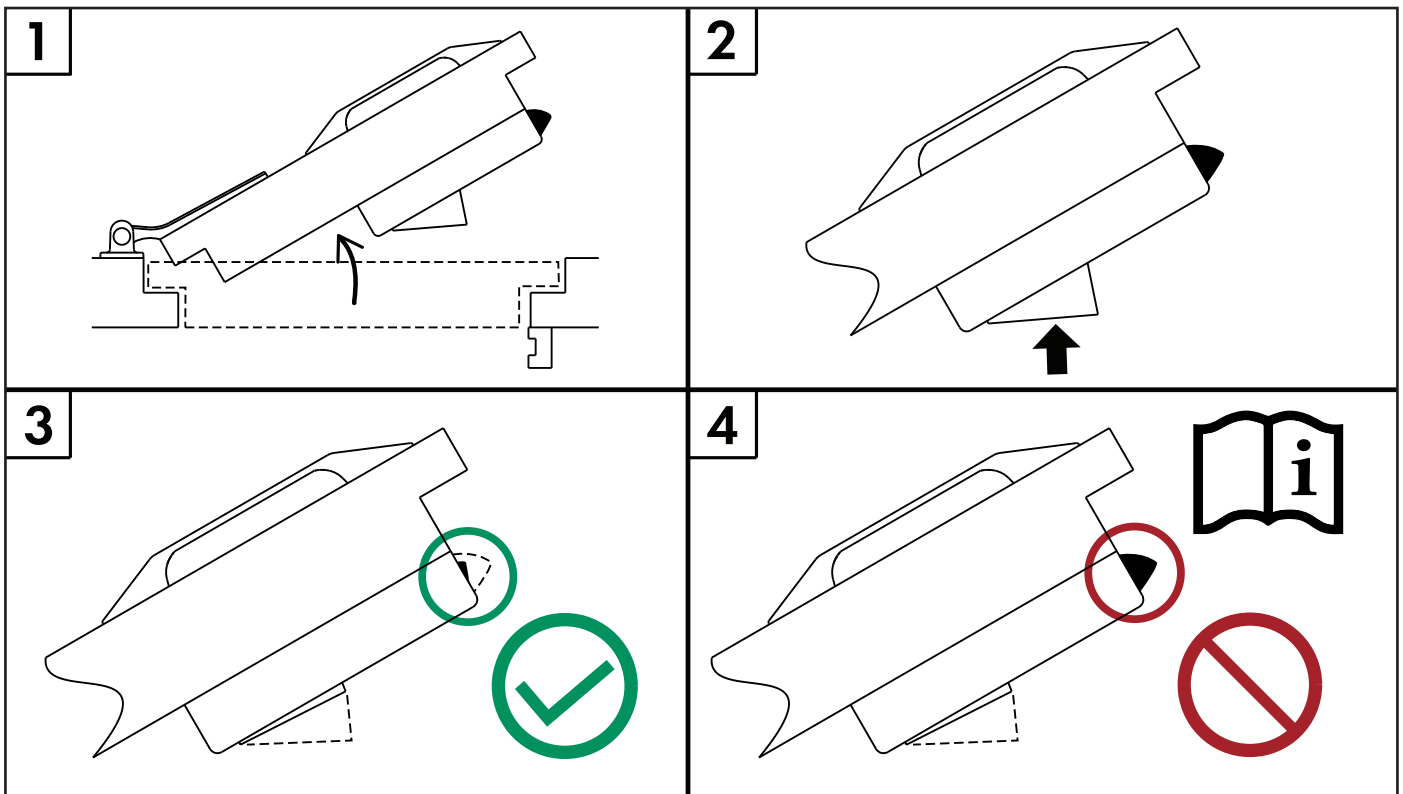


0057 SecureGuard™ e-Lock PLUS High Security Latch

Part Number: 0057-314/0057-315

WARNING		Entrapment and Freeze Hazards
<p>Failure to follow the installation and testing procedures may result in personnel being entrapped and subject to extreme cold, freezing temperature and possibly death.</p>		

The door hardware includes a SecureGuard, SafeGuard latch, which is designed with a push bar latch that will release the door to open from the inside. Extreme or harsh use conditions of the latch, inside release, strike, key driven shaft or door, may damage or impair function of the door. For this reason, it is important to inspect and test the function of the latch, strike, key driven shaft and inside release daily before entering the walk-in. Should the outside key or inside push bar latch fail to release the door to open, do not enter the walk-in and report the problem to management so that the door, latch, key driven shaft or strike may be serviced by a professional.



See diagrams above, and follow these steps to test the function of the latch, inside release, strike, key driven shaft and door:

1. Use the outside key to release the door and swing it open (door opening indicates key driven shaft is working)
2. Press the inside latch bar into the latch housing and observe the latch tongue
3. If latch tongue pulls most of the way into the latch housing (indicates inside release is working, walk-in is safe to enter), go back to Step 1 and repeat using electronic access card
4. If latch tongue fails to pull into latch housing (indicates inside release is not working), **DO NOT ENTER** walk-in and notify management to have the door serviced