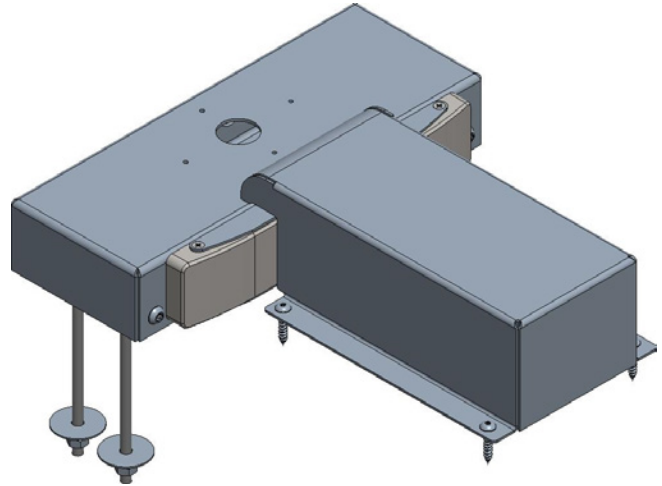


0058ER SafeGuard® Security Latch with Electric Retrofit Flush Strike

Part Number: 10058ER*

HARDWARE INCLUDED:

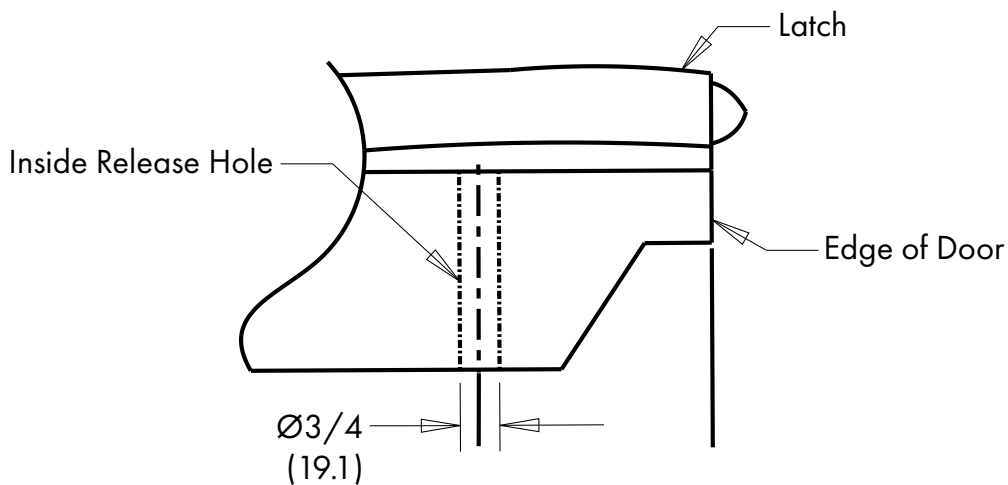
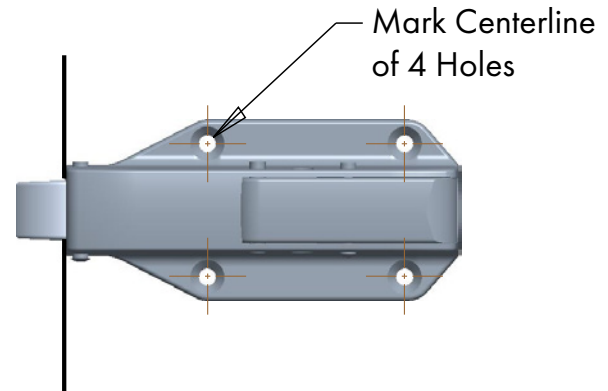
- Strike Plate:
 - (4) 1/4-20 x 5-1/2" nylon rods
 - (16) 1/4-20" nylon hex nuts
 - (8) nylon washers
 - (4) stainless steel 1-1/4" OD washers
- Strike Cover:
 - (4) 1/4-20 x 3/8" flate head tamper resistant screws with T27 type tamper resistant torx
- Anti-Pick Plate:
 - (4) #6-32 x 3/8" flat head screws
- Latch:
 - (4) 1/4-20 x 1-1/4" flat head screws
 - (4) 1/4-20" plus nuts
- Latch Cover:
 - (4) #10 x 1" screws with T25 type-resistant torx drive



STEP 1

See latch instruction sheet when installing latch:

- Verify the type of backing material in door
- Align latch near edge of door, mark centerlines of four mounting holes
- Remove latch and drill small pilot hole through centerline of holes, verify if there is any backing material present in door
Note: If a steel backing plate is present in this location tap for 1/4-20 screws. If wood is present use 1/4" lag type screws (not included)
- If no backing material is present, continue to step 2, otherwise go to step 3



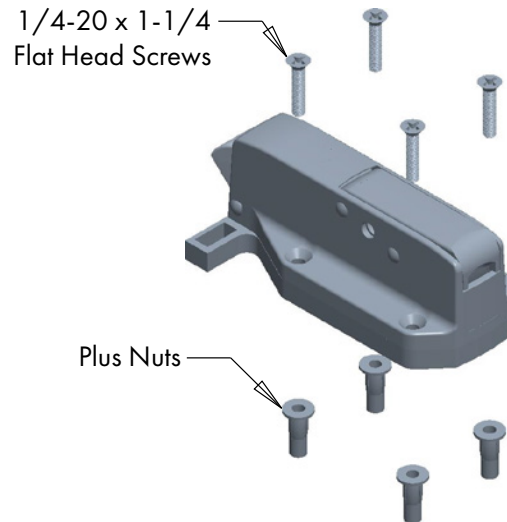
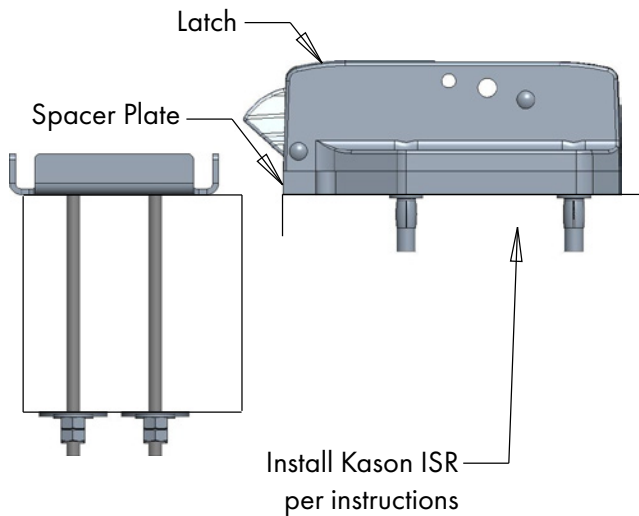
0058ER SafeGuard® Security Latch with Electric Retrofit Flush Strike

Part Number: 10058ER*

STEP 2

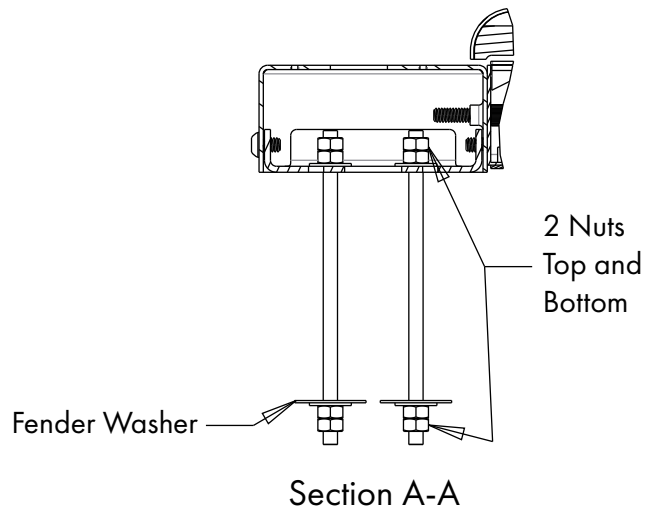
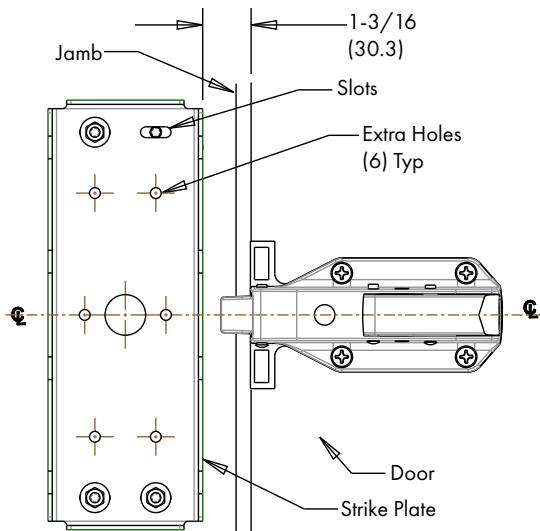
Drill $\varnothing 0.386$ - $\varnothing 0.391$ holes at each pilot hole location where plus nuts are being used.

Note: Required tool to seat plus nuts (C845-2520-Plus). Install plus nuts per installation instructions.



STEP 3

- Center strike plate on 0058E latch
- Mark center of four slots
- Drill through holes in jamb and install (4) threaded nylon rods
- Do not fully tighten nuts slots and adjust plate to approx. 1-3/16" for initial setup
- Tighten both nuts on each threaded rod, top and bottom, to lock nuts

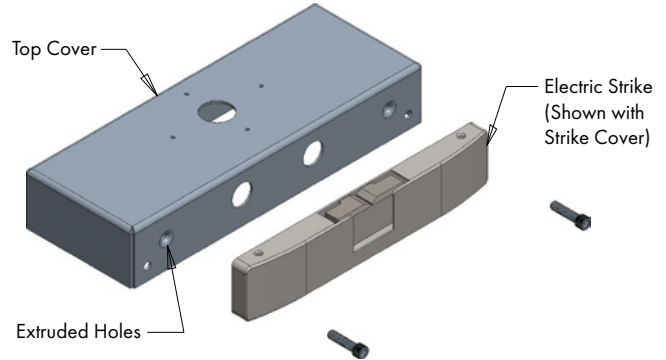


0058ER SafeGuard® Security Latch with Electric Retrofit Flush Strike

Part Number: 10058ER*

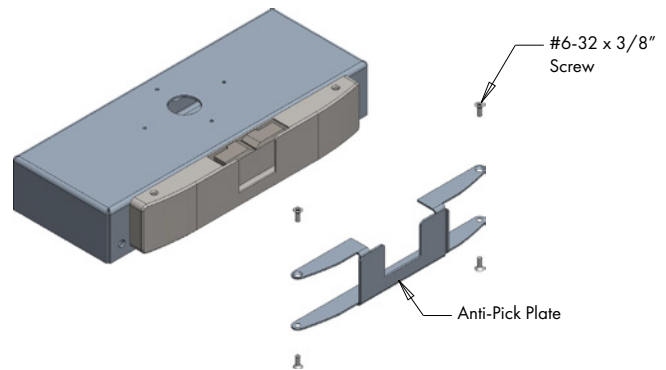
STEP 4

- Use Assa Abloy 9600 Electric Strike installation directions included in box to install electric strike on top cover
- Once electric strike is installed on top cover, install top cover on base plate and verify strike, latch tongue fitup. Adjust as necessary (leave strike cover off for this step)
- Temporarily attach top cover assembly to the strike plate and check fit and function with latch tongue (extra holes can be used to lock position of base plate)
- Tighten all (16) nuts in slots



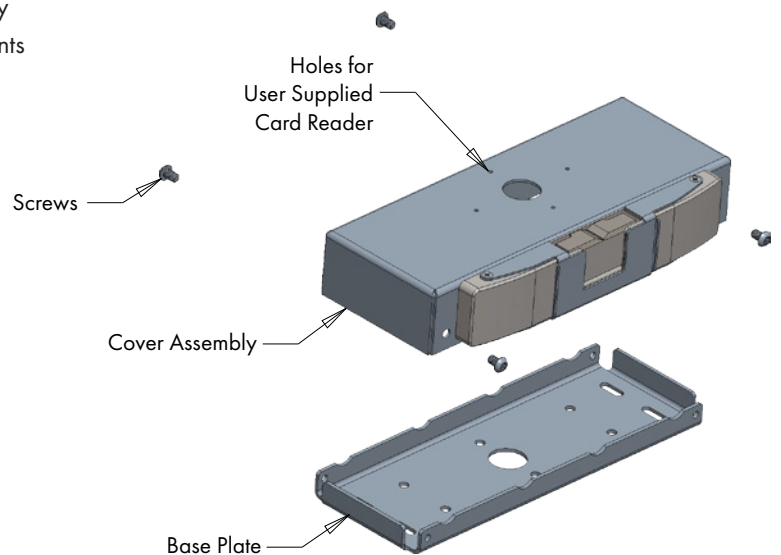
STEP 5

Assemble electric strike cover and anti-pick plate to electric strike and attach using longer #6-32 x 3/8" screws provided.



STEP 6

- Install (user supplied) card reader to top cover assembly
- Wire card reader and electric strike per mfg. requirements
- Mount assembly to base plate with (4) 1/4-20 x 3/8" security screws (use T27 wrench to install)
- Verify strike, tongue fitup before tightening screws

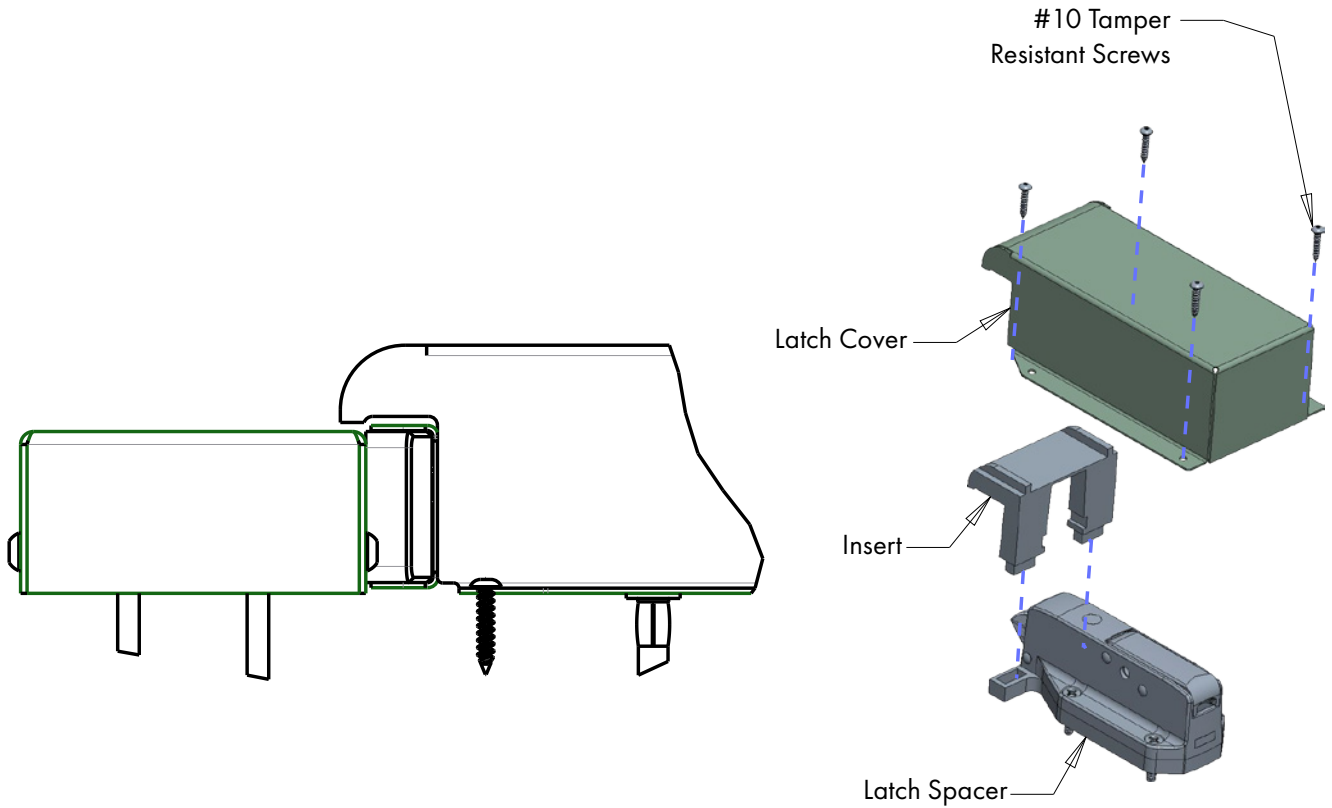


0058ER SafeGuard® Security Latch with Electric Retrofit Flush Strike

Part Number: 10058ER*

STEP 7

- Install insert into installed latch space (as shown)
- Install latch cover and secure to the door using #10 tamper resistant screws (use T25 wrench to install)



STEP 8

- Check for proper function of latch, door, lock, and inside release
- Install safety decal