

0058E SafeGuard® Security Latch with Electronic Flush Strike

Part Number: 10058E*

User must supply hardware to mount:

- Strike Plate: (4) 1/4" screws
- Latch: (4) 1/4" flat head screws
- Latch Cover: (4) 1/4" screws with T27 type tamper-resistant torx drive

Note: Retrofit kit available for through bolting when no structure exists in the door or jamb to securely attach components.

Note: The 0058 Latch requires one of the following Inside Releases: 0481C, 0481SC, 0482C, 0486C, 0487C, 0488C, 0489C

Ingress/Egress

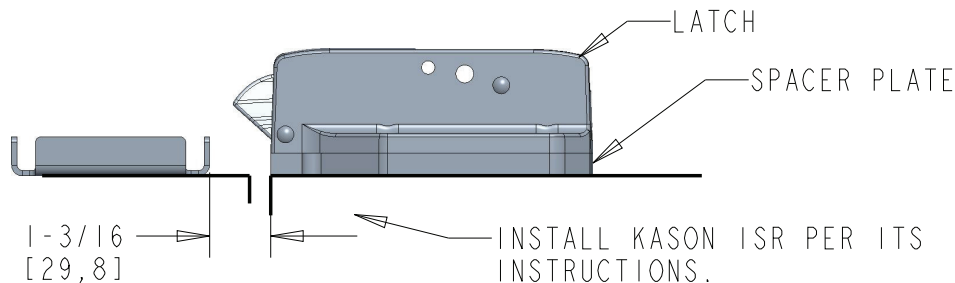
Users inside the enclosure always have a free exit. In the case of a power outage to the latch/strike, the strike is set at factory as Fail Safe, leaving the door unlocked from the outside. This leaves emergency access into the enclosure from the outside.

To maintain a locked door in a power outage, the strike must be set to Fail Secure. Refer to instructions later in this document or see the Assa Abloy instructions.



STEP 1

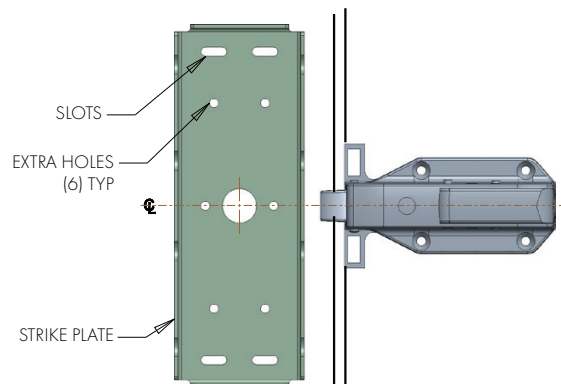
- Install 0058E latch on spacer plate and mount to door making sure it is flush with the edge of the door.



STEP 2

- Center strike plate on 0058E latch
 - Mark center of 4 slots
 - Install (4) 1/4" mounting screws (not included)
- Note:** Do not fully tighten screws in slots and adjust plate to approx. 1-3/16" for initial setup (Step 1)

Note: Click [here](#) for detailed electronic strike installation instructions.



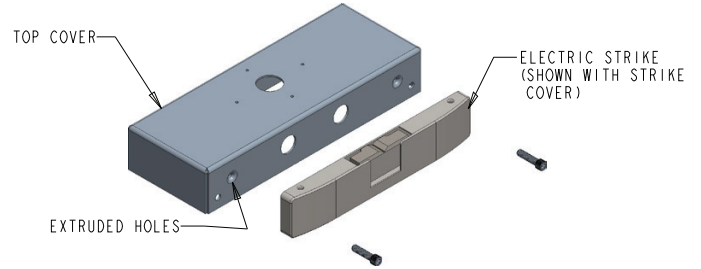
0058E SafeGuard® Security Latch with Electronic Flush Strike

Part Number: 10058E*

STEP 3

- Use Assa Abloy 9600 Electric Strike installation directions included to install electric strike on top cover
- Once electric strike is installed on top cover, install top cover on base plate and verify strike, latch tongue fitup. Adjust as necessary (leave strike cover off for this step)
- Temporarily attach top cover assembly to the strike plate and check fit and function with latch tongue (extra holes can be used to lock position of base plate)
- Install insert and place cover in place as shown (Step 6)
 - Check for proper fit of cover around edges of strike
 - Adjust the strike closer or farther from latch to ensure most tamper resistant installation
- Tighten all (4) screws in slots

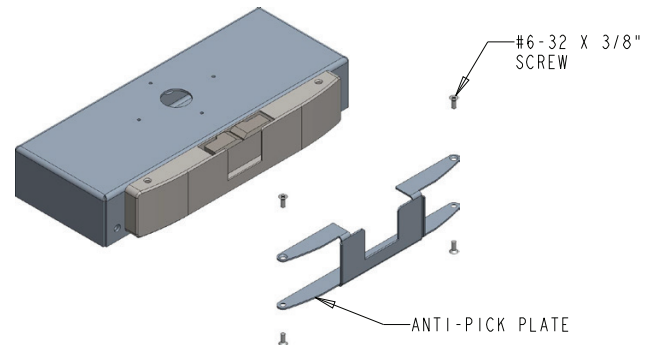
Note: Click [here](#) for detailed electronic strike installation instructions.



STEP 4

Assemble electric strike cover and anti-pick plate to electric strike and attach using longer #6-32 x 3/8" screws provided.

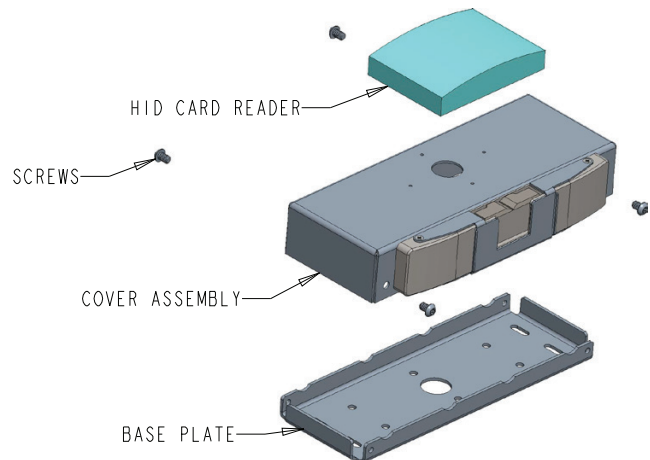
Note: Click [here](#) for detailed electronic strike installation instructions.



STEP 5

- Install HID card reader to top cover assembly
 - Note:** Non-Kason HID card readers may be purchased separately and installed
- Wire card reader and electric strike per mfg. requirements
- Mount assembly to base plate with (4) 1/4-20 x 3/8" security screws (use T27 wrench to install)
- Verify strike, tongue fitup before tightening screws

Note: Click [here](#) for detailed electronic strike installation instructions.

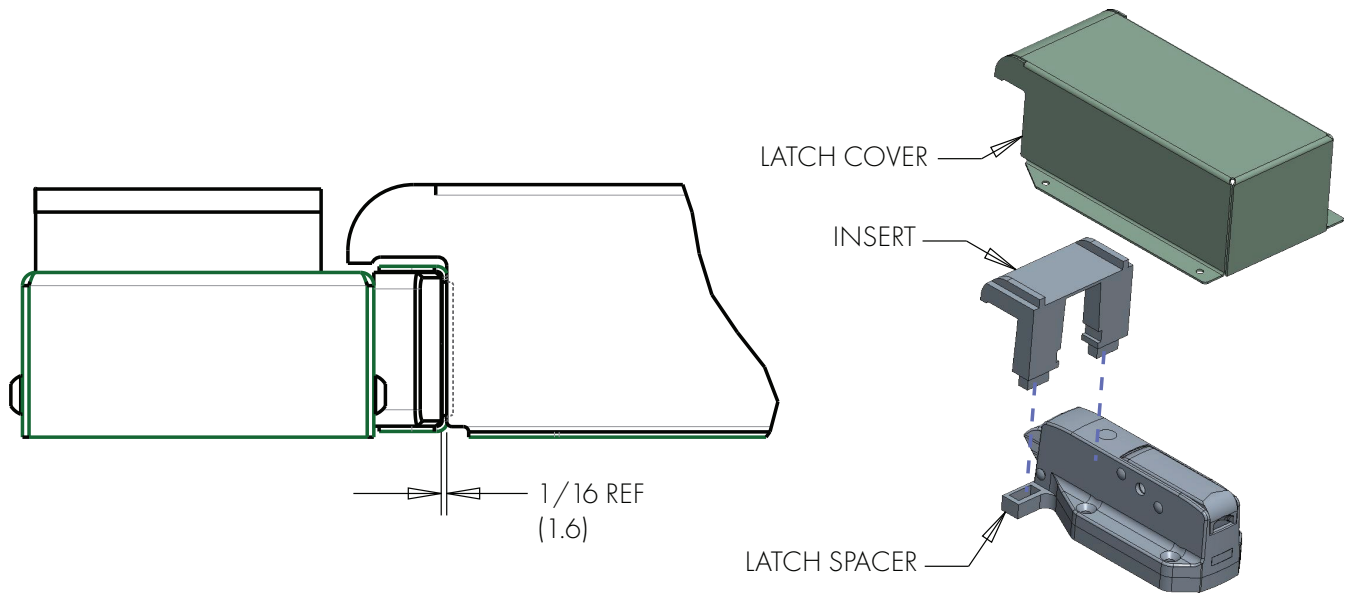


0058E SafeGuard® Security Latch with Electronic Flush Strike

Part Number: 10058E*

STEP 6

- Install insert into installed latch space (as shown)
- Install latch cover and secure to the door using tamper resistant screws (not provided)



STEP 7

- Check for proper function of latch, door, lock, and inside release
- Install safety decal