

## 0078 SafeGuard® Radial Latch

Part Number: 10078\*

Part No.*	Description	Finish
10078CL5020	Cylinder Locking, Light Spring	Polished Chrome
10078LO5020	Non-Cylinder Locking, Light Spring	Polished Chrome
10056005002	Strike, -1/8" to 1/4" (-3.2 to 6.4 mm) Offset	Polished Chrome
10056005003	Strike, 3/4" to 1-1/2" (19 to 38.1 mm) Offset	Polished Chrome
10056005005	Strike, 1-3/4" to 2-1/2" (44.5 to 63.5 mm) Offset	Polished Chrome
10056005008	Strike, 3" to 4" (76.2 to 101.6 mm) Offset	Polished Chrome

Other finishes, springs available



⚠ CAUTION

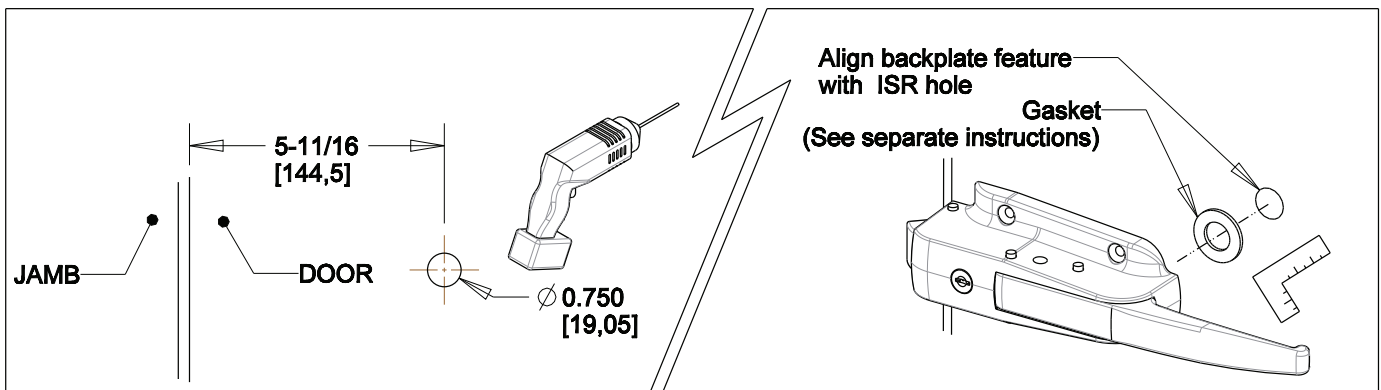
**DO NOT LOCK THE LATCH BEFORE CLOSING. THE DOOR LATCH COULD BECOME DAMAGED.**

⚠ WARNING

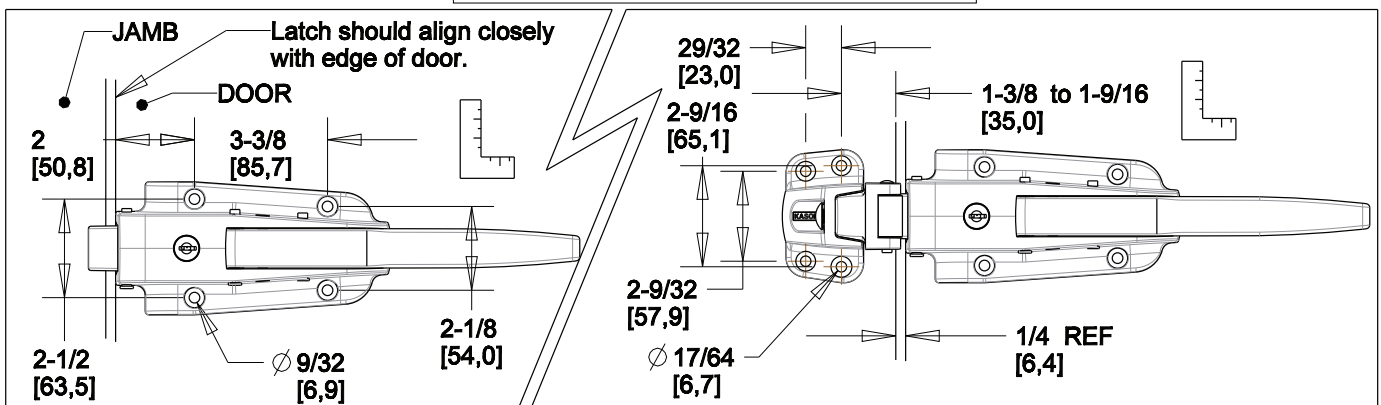
**ENTRAPMENT AND FREEZE HAZARD**

For safe operation, only use with Kason Inside Release models: 0481C, 0481SC, 0482C, 0486C, 0487C, 0488C, 0488CR, and 0489C. See inside release instructions for more details.

Failure to follow the installation and testing procedures may result in personnel being entrapped and subject to extreme cold, freezing temperature and possibly death. See page 2 for testing procedures.



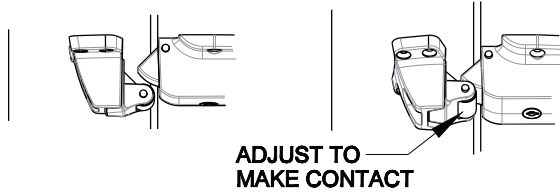
Ø 1/4 (6mm) Mounting fasteners not provided



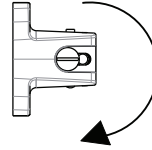
## 0078 SafeGuard® Radial Latch

Part Number: 10078\*

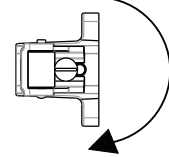
0056 Series Strike



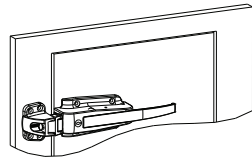
TIGHTEN OUTSIDE SCREW



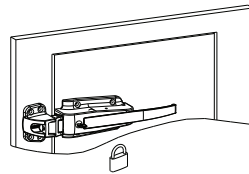
TIGHTEN INSIDE SCREW



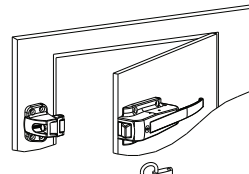
<h3>CAUTION</h3>		<p><b>DO NOT LOCK THE LATCH BEFORE CLOSING. THE DOOR LATCH COULD BECOME DAMAGED.</b></p>
------------------	--	--



1. Close Door



2. Lock Latch



3. Unlock Latch  
4. Open Door  
5. Leave the Latch Unlocked

<h3>WARNING</h3>		<p><b>ENTRAPMENT AND FREEZE HAZARD</b></p>
------------------	--	--

Failure to follow the installation and testing procedures may result in personnel being entrapped and subject to extreme cold, freezing temperatures, and possibly death.

Affix the safety decal, that came with the latch, to the door near the latch or the inside release.

The door hardware includes a SafeGuard® latch, which is designed with an inside release that will operate the latch to open the door from the inside, when the latch has been locked on the outside. Extreme or harsh use conditions of the latch, inside release or walk-in door, may damage or impair function of the latch. For this reason, it is important to inspect and test the function of the latch and inside release daily before entering the walk-in. Should the latch or inside release fail to release the latch and allow door to open from the inside, do not enter the walk-in and report the problem to management so that the door, latch or inside release may be serviced by a professional.

<p>1</p>	<p>2</p>	<p>3</p>	<p>4</p>
----------	----------	----------	----------

### TESTING PROCEDURE

1. Open the door.
  2. With the door open, push to depress the inside release knob (or push bar).
  3. (A) If the latch tongue retracts substantially into the latch with the release knob depressed, the latch and inside release are functioning properly.
  3. (B) If the latch tongue does not retract substantially into the latch, do not enter the walk-in, and notify management to have the door serviced.
  4. Lock the door using key cylinder and/or padlock and repeat steps 2 and 3.
- Note:** After passing the step 4 test with latch locked, unlock the latch and continue with normal use of the door.