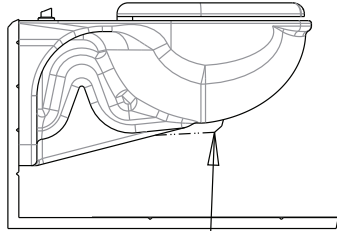


00TJ Toilet Jack Part Number: 69000TJ*

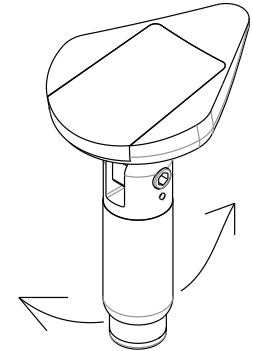
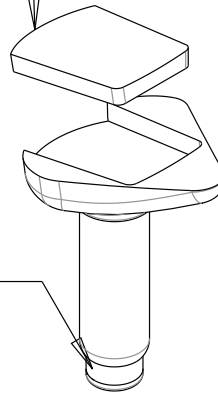


Note any obstructions under bowl

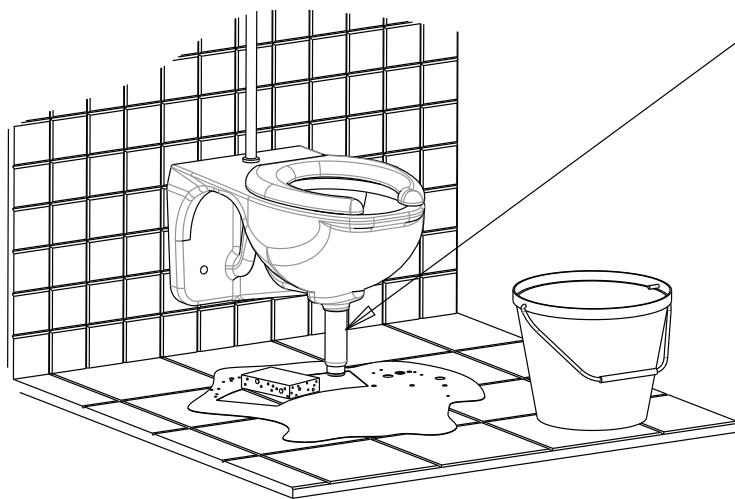
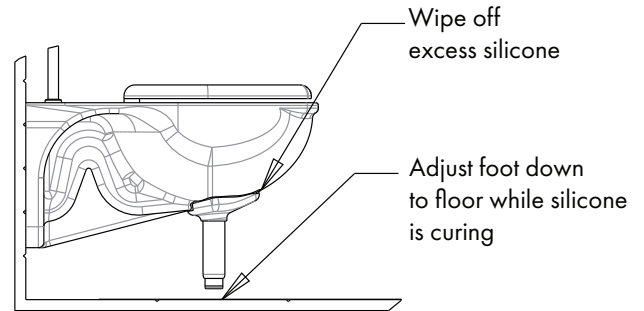
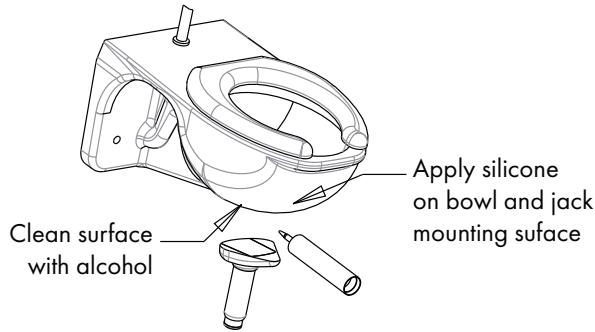
Remove insert when installing on bowl with obstruction

If bowl is smooth do not remove insert

Fit toilet jack under bowl and adjust foot to touch the floor. Turn foot clockwise until it is just snug, do not over tighten



69000TJ3000 leg pivots, loosen and tighten with allen wrench



Adjust foot up after it is fully cured

Apply moderate pressure to see if the foot is properly secured

Proper instruction is required to adjust foot up and down and clean under the foot when necessary

If using 69000TJ3000 it is important to verify leg joint is tight after returning it to the holding position

Failure to adjust back to the floor can cause toilet to break away from wall and hurt user