

0486 Wide Recessed Inside Release Handle

Part Number: 10486*

Latches	Inside Release Handles
0045, 0046, 0050, 0051, 4545, 4646, 5050, 5151	0480, 0481B, 0482B, 0486B, 0487B, 0489B
0052, 0053	0481B, 0482B, 0486B, 0487B, 0489B
0055XXL	0486D, 0489D
0056, 5656	0480, 0483, 0481A, 0481SA, 0482A, 0486A, 0487A, 0488A, 0489A
0058, 0058E, 0077, 0078, 0778	0481C, 0481SC, 0482C, 0486C, 0487C, 0488C, 0489C
5688	0488AG
7888	0488CG



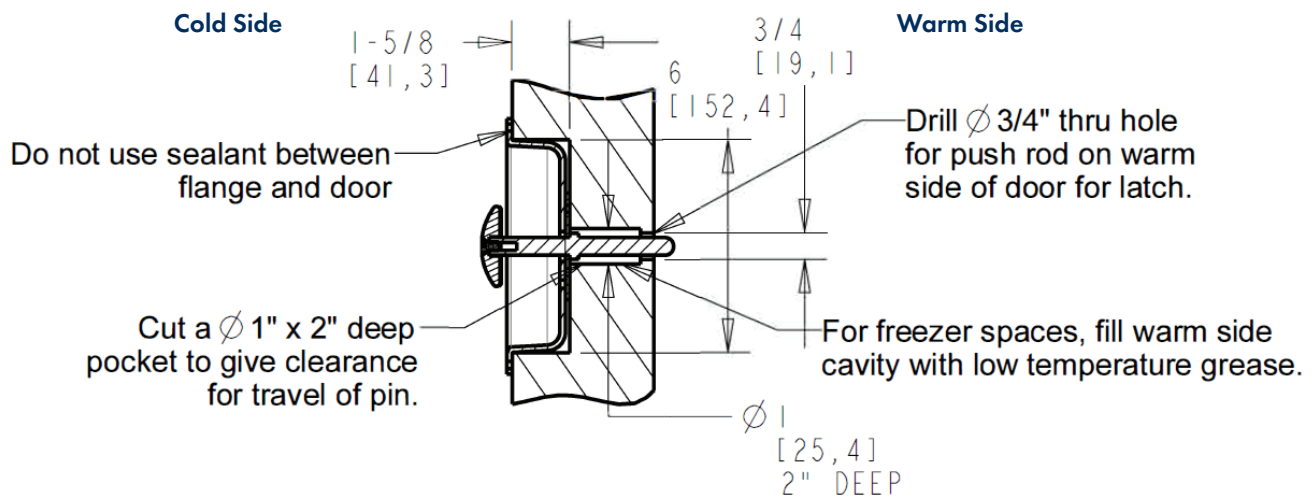
WARNING

ENTRAPMENT AND FREEZE HAZARD

For safe operation, use latch paired with appropriate inside release shown in the table above. See latch instructions for more details. Failure to follow the installation and testing procedures may result in personnel being entrapped and subject to extreme cold, freezing temperature and possibly death. See page 2 for testing procedures.




DIRECTIONS

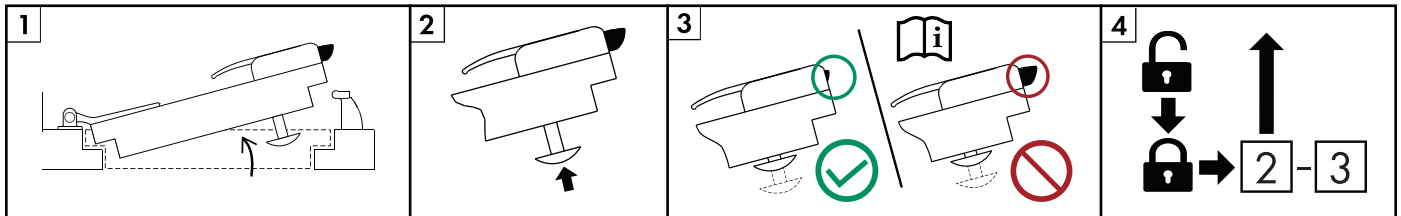
- Drill a $\varnothing 3/4"$ (19.1 mm) hole through the door from the warm side, at the location of the latch inside release hole.
IMPORTANT: Hole must be square to door surface for proper alignment and operation.
- On the cold side, drill a 6" diameter hole, 1-5/8" deep and remove insulation for recessed housing. For rods using a cross pin, drill a $\varnothing 1" \times 2"$ deep pocket from the cold side to accommodate pin and washers.
- Mount to the door using (8) No. 10 (5.0 mm) round head screws.
Note: For freezers, fill the warm side of cavity with low temperature grease to limit air infiltration and ice formation.
- Test to assure latch release function. See testing procedures on page 2.
- Mount safety decal to surface of door or jamb, near latch or inside release.



0486 Wide Recessed Inside Release Handle

Part Number: 10486*

 <h1 style="margin: 0;">WARNING</h1>	 	<h3 style="margin: 0;">ENTRAPMENT AND FREEZE HAZARD</h3>
<p>Failure to follow the installation and testing procedures may result in personnel being entrapped and subject to extreme cold, freezing temperatures, and possibly death.</p> <p>Affix the safety decal, that came with the latch, to the door near the latch or the inside release.</p> <p>The door hardware includes a SafeGuard® latch, which is designed with an inside release that will operate the latch to open the door from the inside, when the latch has been locked on the outside. Extreme or harsh use conditions of the latch, inside release or walk-in door, may damage or impair function of the latch. For this reason, it is important to inspect and test the function of the latch and inside release daily before entering the walk-in. Should the latch or inside release fail to release the latch and allow door to open from the inside, do not enter the walk-in and report the problem to management so that the door, latch or inside release may be serviced by a professional.</p>		



TESTING PROCEDURE

1. Open the door.
2. With the door open, push to depress the inside release knob (or push bar).
3. (A) If the latch tongue retracts substantially into the latch with the release knob depressed, the latch and inside release are functioning properly.
3. (B) If the latch tongue does not retract substantially into the latch, do not enter the walk-in, and notify management to have the door serviced.
4. Lock the door using key cylinder and/or padlock and repeat steps 2 and 3.

Note: After passing the step 4 test with latch locked, unlock the latch and continue with normal use of the door.

Note: Actual latch or inside release provided with the door may look different than those shown in testing diagram above. Refer to instructions and safety decal provided with your latch.