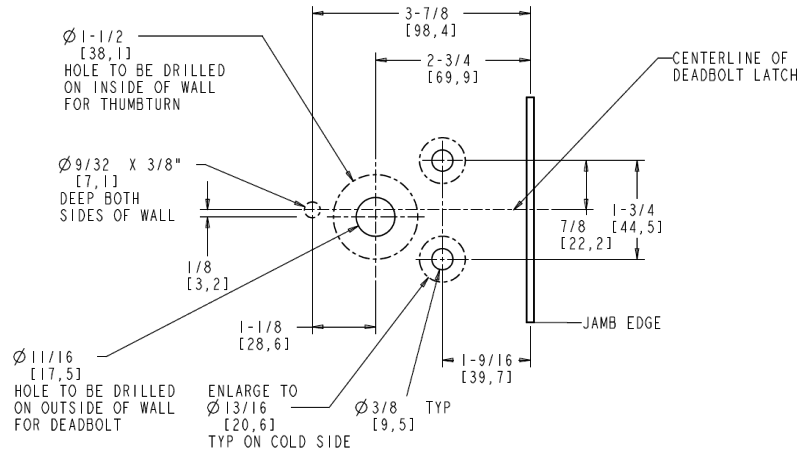


0944 Deadbolt Lock

Part Number: 10944*



DIRECTIONS

1. Layout the hole pattern in desired position on the jamb as seen above
2. On jamb drill $3/8$ Dia. through holes, enlarge interior holes to $13/16$ Dia. x $3/4"$ deep. Then drill $9/32$ Dia. x $1/4"$ deep hole both sides of wall
3. Drill $11/16$ Dia. through hole for deadbolt shaft. Enlarge Interior hole to $1-1/2$ Dia. x $3/4"$ deep
4. Ready deadbolt latch (#1) for installation. (Freezer Application: To seal against moisture intrusion, pack cylinder tailpiece hole with low temperature grease from supplied packet, see balloon "A") Insert slotted washer (#2) onto tailpiece (#3) and push washer into lock slot. Install collar (#4) as shown so that press fit pegs on back of collar mate with holes in lock (#1) (**Fig. 1**)
5. Place deadbolt latch (#1) on outside of wall over drilled holes (**Fig. 2**)
6. Place thumbturn mounting plate (#5) on inside wall with knob vertical. Align tailpiece (#3) with slot in shaft. Push together until mounting plate is flush to wall (**Fig. 2**)
7. Insert two $1/4-20$ screws through mounting plate into deadbolt and tighten lightly (Caution: Do not compress wall by over tightening)
8. Align Strike (#6) on door with deadbolt mark and drill two 0.161 Dia. holes using No.21 drill (**Fig.2**)
9. Secure strike to door with supplied one way screws
10. Check Function with key and inside thumbturn (**NEVER FORCE inside thumbturn**)
11. Insert hole plugs (#7) and install push door to open decal on freezer door (**Fig. 2**)

FIG. 1

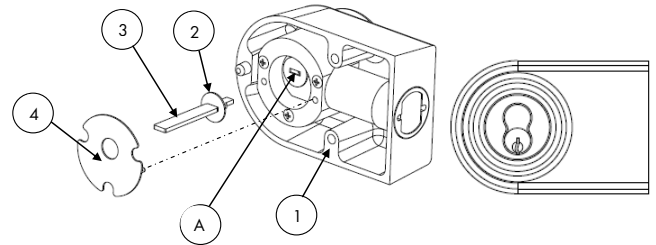
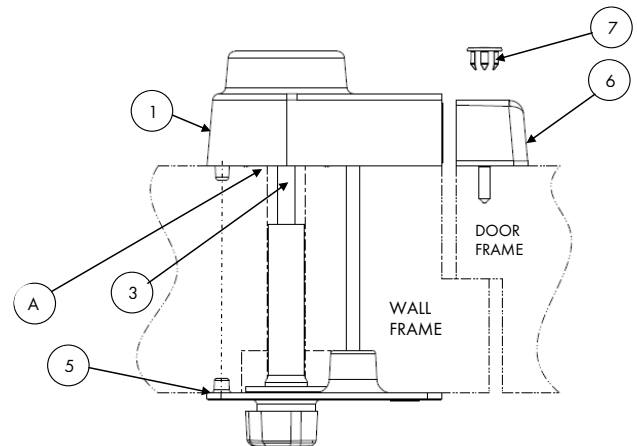


FIG. 2



Note: On new construction a tapping plate for the strike or reinforcing under lock may provide additional strength.

