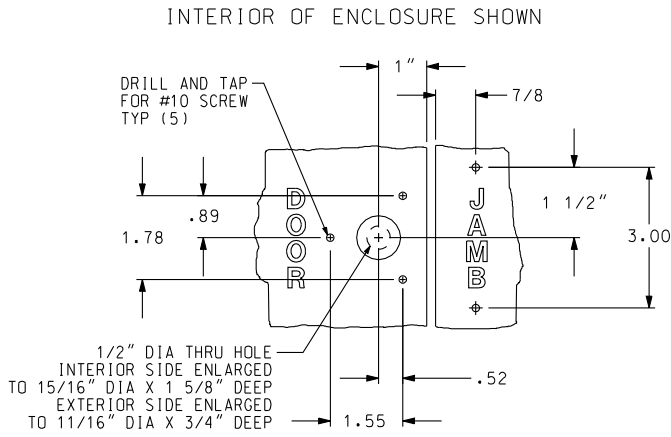


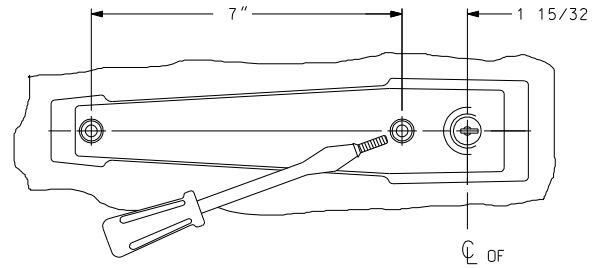
1229 SafeGuard® Handle Series

Part Number: 11229*

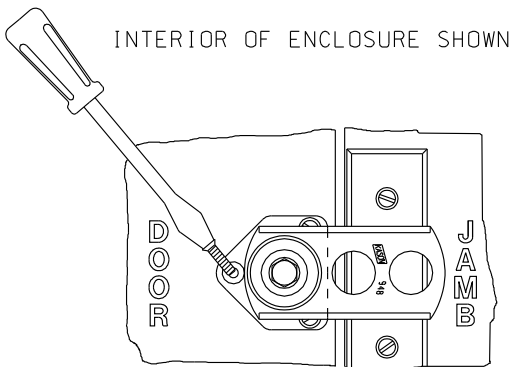
Step 1



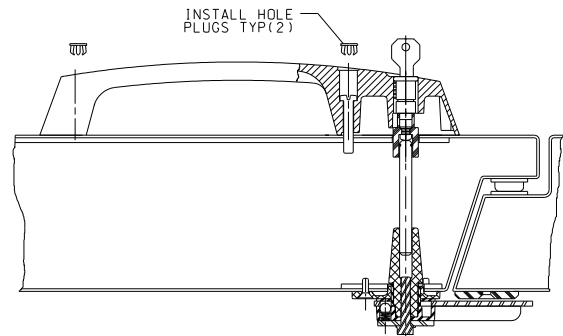
Step 4



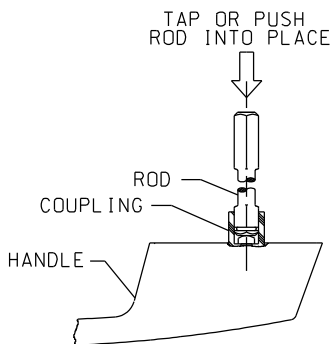
Step 2



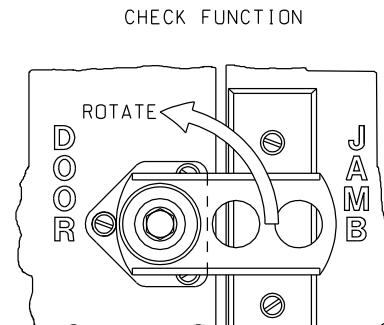
Step 5



Step 3



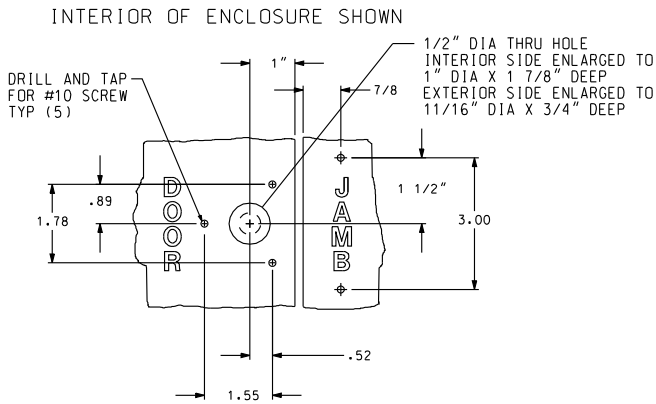
Step 6



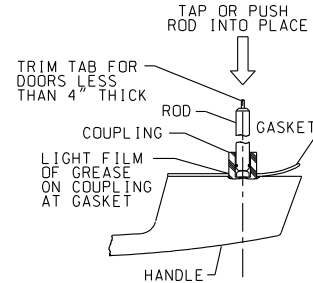
1229 SafeGuard® Handle Series

Part Number: 11229*

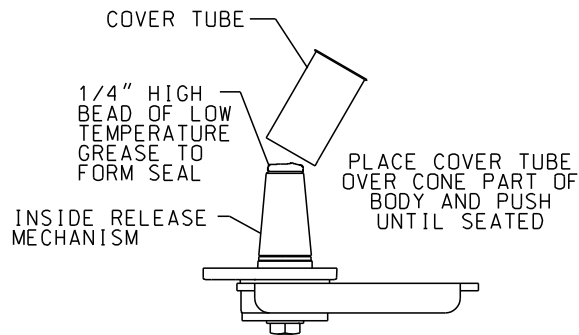
Step 1



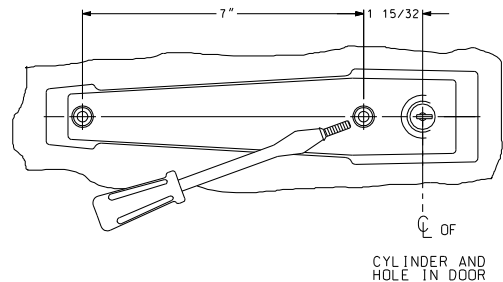
Step 4



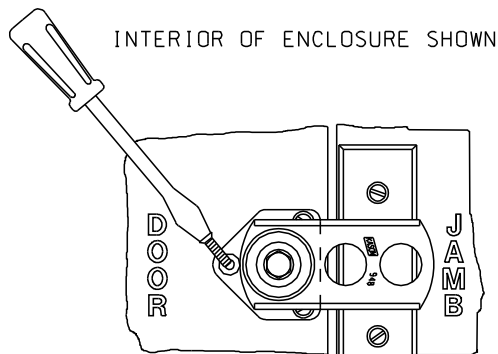
Step 2



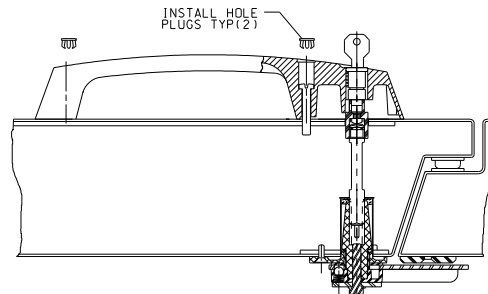
Step 5



Step 3



Step 6



Step 7

