

1655-1020 Corner Bracket Mounting Instructions

Part Number: 61655001020



DIRECTIONS

- Center bracket requires 2-7/8 x 1-3/4" notched opening. The illustrative information is provided to obtain correctly sized centers. The center bracket is designed to accept a shelf with 1-1/2" return but will also accept longer returns. Boxed dimensions must be maintained regardless of return length. **(Fig. 1)**
- Lay shelf upside on a flat, clean surface. Place prenotched centers over lip of the center fitting. Butt it firmly against the back of the fitting. The centers should match perfectly. Position inner bracket against notched center and secure tightly with supplied hex bolts. Repeat for remaining centers. **(Fig. 2)**
- To avoid damage to center, and for easy installation, place table upside down on a firm protected surface. Insert tubular legs into the table sockets and slightly tighten the set screws on the leg sockets to hold-in-place. Place complete shelf with center brackets over the table legs, (Caution: to prevent damage to the center brackets, lower shelf evenly to desired height on the legs and hold firmly in place until all center brackets are secured with supplied bolt) and tighten table leg socket set screw until tip contacts tube. Apply additional 1-3/4 turns to set screw to achieve 500 lb load rating. Gently invert table to the upright position avoiding stress on legs until upright. **(Fig. 3)**

FIG. 1

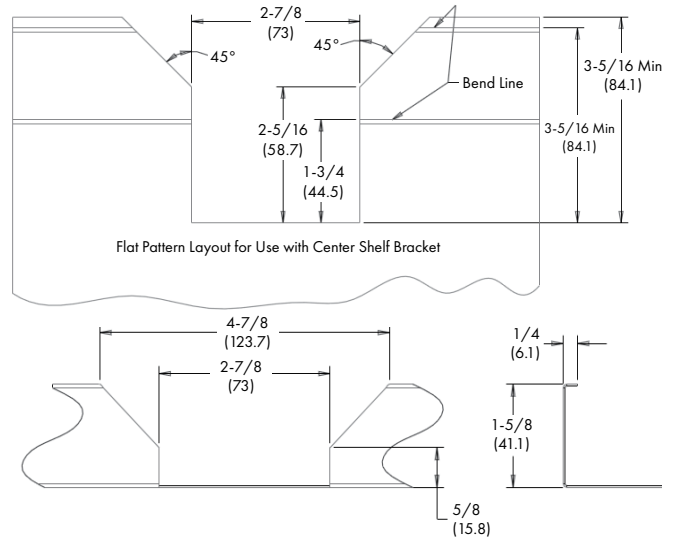


FIG. 2

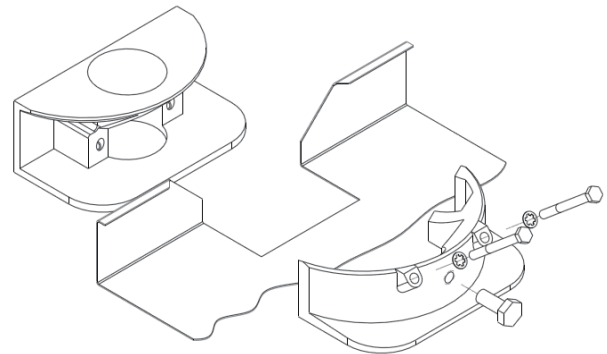


FIG. 3

