

## 1820U/UB Adjustable LED High Bay Fixture

Part Number: 11820U00004/11820UB0004

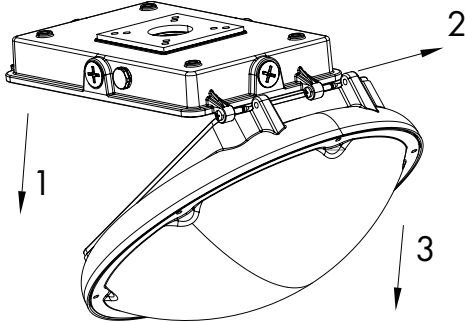


### ⚠ WARNING

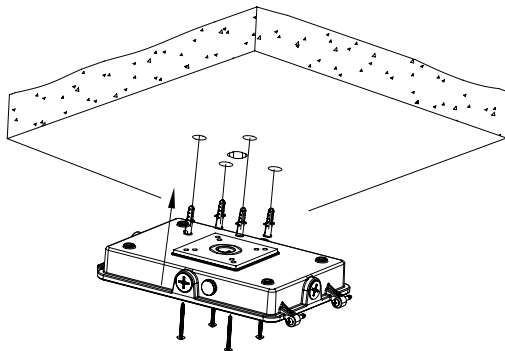
- Please cut off the power supply before installation
- If the external power cord of the lamp is damaged, the power must be cut off first and repair or replacement must be carried out by qualified engineering and technical personnel
- During the construction and installation process, it is strictly prohibited to use violent means for installation and construction

### DIRECTIONS (Surface Mounting)

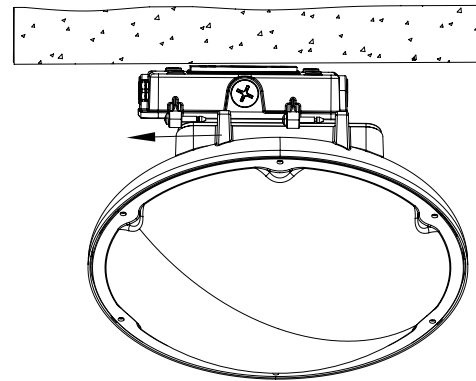
1. Unlock the two buckles on the side of the lamp, open the lamp body, remove the green ground wire connected to the bottom cover, push out the lamp along the rotating axis and remove the bottom cover from the lamp. Unscrew the waterproof cover in the center.



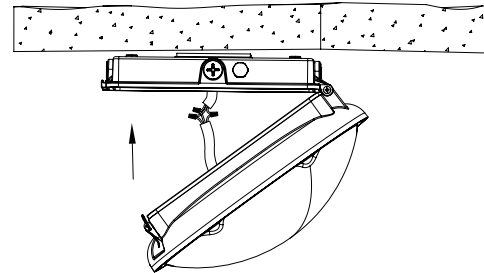
2. Pull the supply wires through the center hole of the bottom cover. Attach securely.



3. Connect the lamp body back to bottom cover through shaft; Connect the junction box ground to the ground terminal.

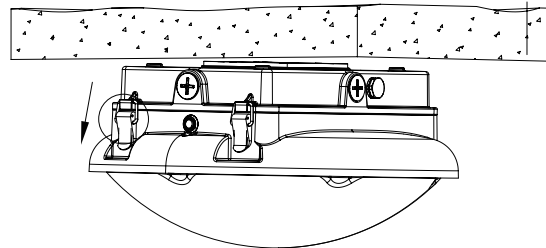


4. Connect the mains input wire to the power input wire of the lamp accordingly: White for N; Black for L; Green/Yellow for ground wire (GND).



Black	○	Line
White	○	Neutral
Green/Yellow	○	Ground

5. Arrange the internal wiring, close the lamp body along the rotating axis, and fasten the side buckles.

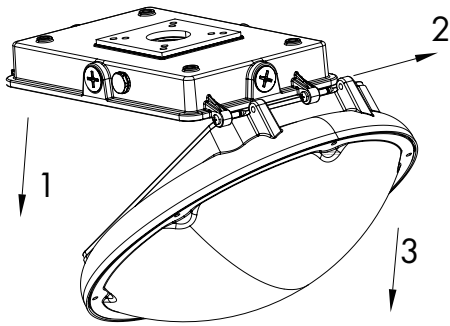


## 1820U/UB Adjustable LED High Bay Fixture

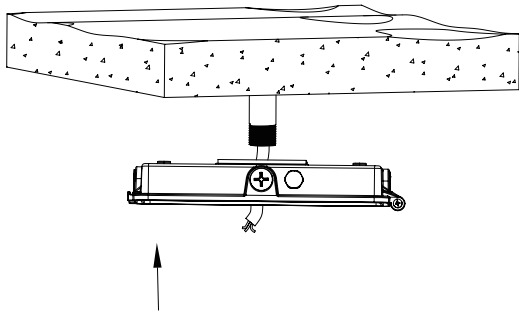
Part Number: 11820U00004/11820UB0004

### DIRECTIONS (Pole Mounting)

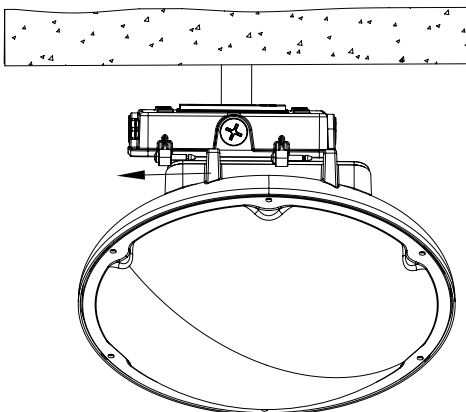
1. Unlock the two buckles on the side of the lamp, open the lamp body, remove the green ground wire connected to the bottom cover, push out the lamp along the rotating axis.



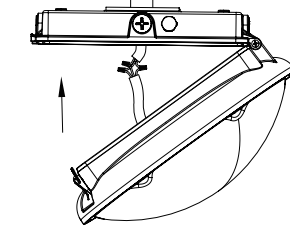
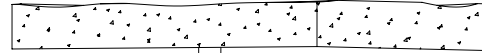
2. Pull the supply wires through the center hole of the bottom cover. Attach securely.



3. Connect the lamp body back to bottom cover through shaft; Connect the junction box ground to the ground terminal.



4. Connect the mains input wire to the power input wire of the lamp accordingly: White for N; Black for L; Green/yellow for ground wire (GND).



Black	—	○	—	Line
White	—	○	—	Neutral
Green/Yellow	—	○	—	Ground

5. Arrange the internal wiring, close the lamp body along the rotating axis, and fasten the side buckles.

