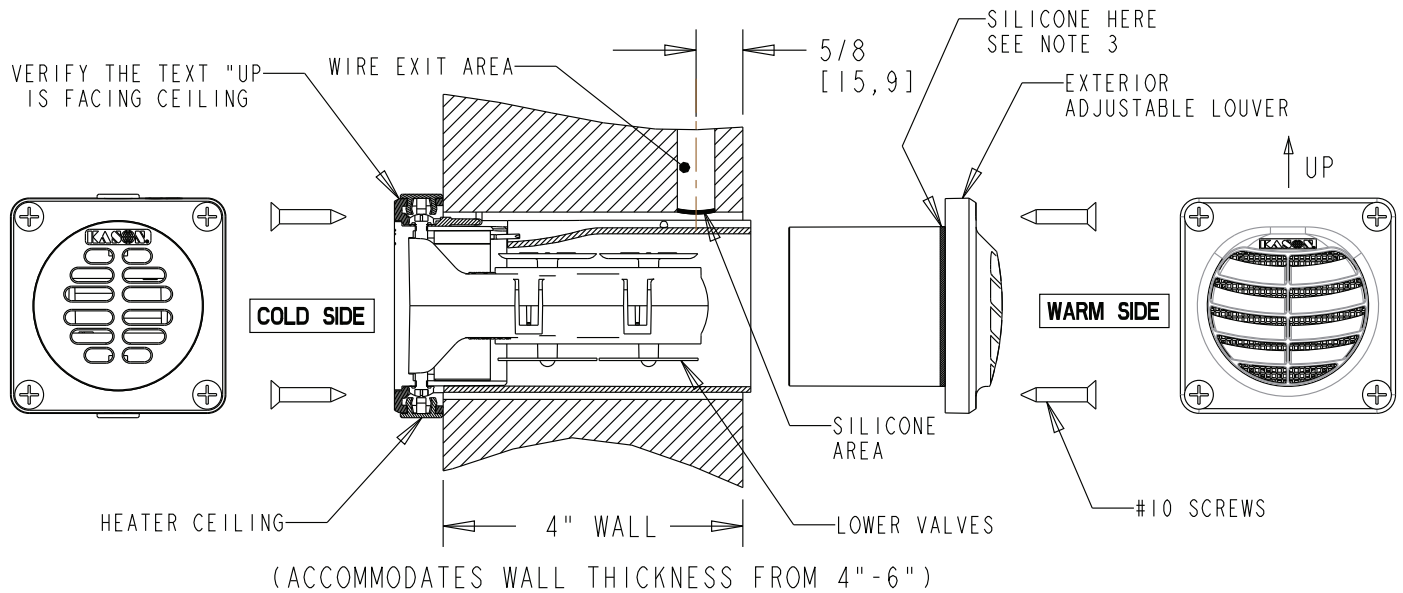


1825LE Intelli-Vent® Pressure Relief Port (Replacement for 1825 Port)

Part Number: 11825LE*



⚠ CAUTION

- Turn off power to Pressure Relief Port (PRP) during periods without refrigeration to reduce heat buildup
- Hi-pot over 1500 volts will damage the PRP and void the warranty
- Installer must understand and follow local electrical codes
- Double check that voltage is correct. Do not connect PRP to a higher voltage. Risk of fire

NOTES

Pressure relief ports can be expected to generate some moisture or frost during humid weather conditions. When warm moist air is cooled as it enters the refrigerated space, the formation of some condensation is unavoidable. To reduce the chance of frost or moisture buildup, the pressure relief port should be located where the entering warm moist air can disperse without directly contacting a cold surface. Do not install in ceiling.

OEM: Include a copy of instructions with individual items if vent is to be field installed.

DIRECTIONS

1. Cut 2-1/2" diameter hole through panel.
2. Bore a 1/2" diameter hole for passage of heater wires. Center of hole to be approximately 1/2" from warm side of wall face and oriented above the 3" hole.
3. Insert heater assembly through the wall from cold side first. Feed wires up through 1/2" hole to junction box as heater assembly is passed through wall. (Do not pull on the two wire leads). Silicone wire exit area.
4. Mark and drill mounting holes using cold side louver as a template. Attach cold side louver with (4) #10 screws. Do not overtighten screws, or louver may become damaged.
5. Place a bead of silicone around base of exterior louver. The excess will seal the wall insert exterior louver into hole. Mark and drill mounting holes. Do not overtighten.
6. Connect the two lead wires to AC power source of proper voltage to match voltage marking of product and green wire to ground.

*Part No.	Description
11825LE0004	Pressure Relief Port, 120 VAC, 4" to 6" Wall Thickness
11825LE0006	Pressure Relief Port, 230 VAC, 4" to 6" Wall Thickness
11825LE0008	Pressure Relief Port, Non-Heated, 4" to 6" Wall Thickness