

1967-A3 Dual Temperature Display and Switch

Part Number: 119670000A3

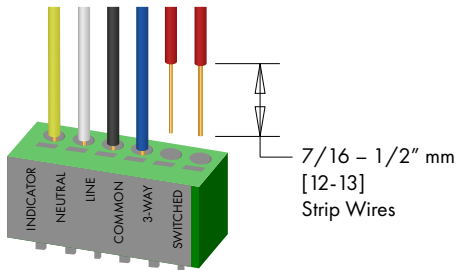
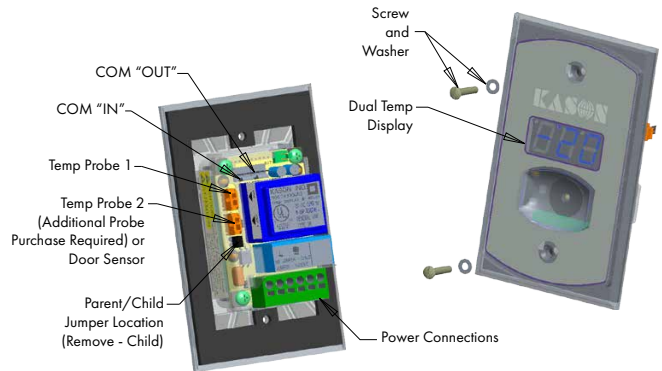


Caution:

This product requires a qualified Electrician.
Follow all NEC requirements for installation.

INSTALLATION

1. Read all labels on unit and understand risks.
2. Disconnect power at breaker.
3. Route all high voltage power (Line, Switched, Neutral, Indicator, and Three-way) through separate conduit, then the temp probe(s), battery cable and COMs.
Note: Junction boxes must be rated for "Wet/Outdoor Location" if used in outdoor application. Use Teflon/PTFE tape to wrap all threaded conduit connections.
4. Connect power wires to terminal block. If wires fray while installing, it is required to tin (solder) the wire leads in order to press into terminal block. Do not allow stray wires to exit the terminal block.
5. Connect battery cable and temperature probe(s) on back of unit.
6. Push all wire into junction box. Secure to junction box with screw/washer. Must fully seat screw/washer and gasket.
7. Connect com cables if using multi location up to 4 units.
Note: Seal all conduit wire openings with a silicone sealant to keep moisture out of junction boxes.



Part No.	Description
119670000A3	Dual Temperature Display (120 VAC)
119670000A3240	Dual Temperature Display (240 VAC)
11967000F38	Door Sensor, 3/8" (7.9 mm), 24" (0.6 m)
11967000F3820	Door Sensor, 3/8" (7.9 mm), 20' (6.0 m)
11967B09453600	Battery Cable, 36" (0.9 m)
11967000942	Temperature Probe, 72" (1.8 m)
11967006130117	Junction Box Gasket
11967000933	Com Cable, 50' (15.3 m)

OPERATION

- Turn on /off switch, or touch light pad
 - Indicator will light if power is applied to indicator connection
- Three-way: Follow wire diagram
 - Indicator will light if power is applied to indicator connection
- Two Temp Probes (each probe's temp will display in 1 min. cycles)
 - Depending on temperature of room will read:
 - FrE or F1/F2 (-40°F to 30°F) or (-40°C to -1°C)
 - CoL or C1/C2 (32°F to 50°F) or (0°C to 10°C)
 - Hot or H1/ H2 (75°F -104°F) or (24°C to 40°C)
- Temperature Units (Default °F)
 - To Change Units: Turn power OFF/ON and wait until display reads "SEL". Touch twice to change the units between °F and °C
- Errors/Warnings
 - "Hot/H1/H2" room temperature is above 75°F (check refrigeration)
 - "OFF" temperature probe is not connected (install or replace temp probe)
- Special Features
 - Digital temperature probe (No adjustments)
 - Door Sensor (11967000038): Turns lights ON when door is opened/OFF after 10 min. (see last page)
 - Three-way switch applications



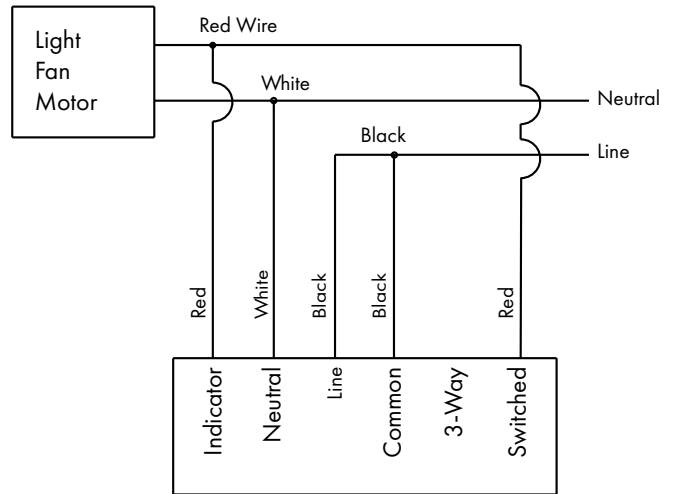
1967-A3 Dual Temperature Display and Switch

Part Number: 119670000A3

SPECIFICATION

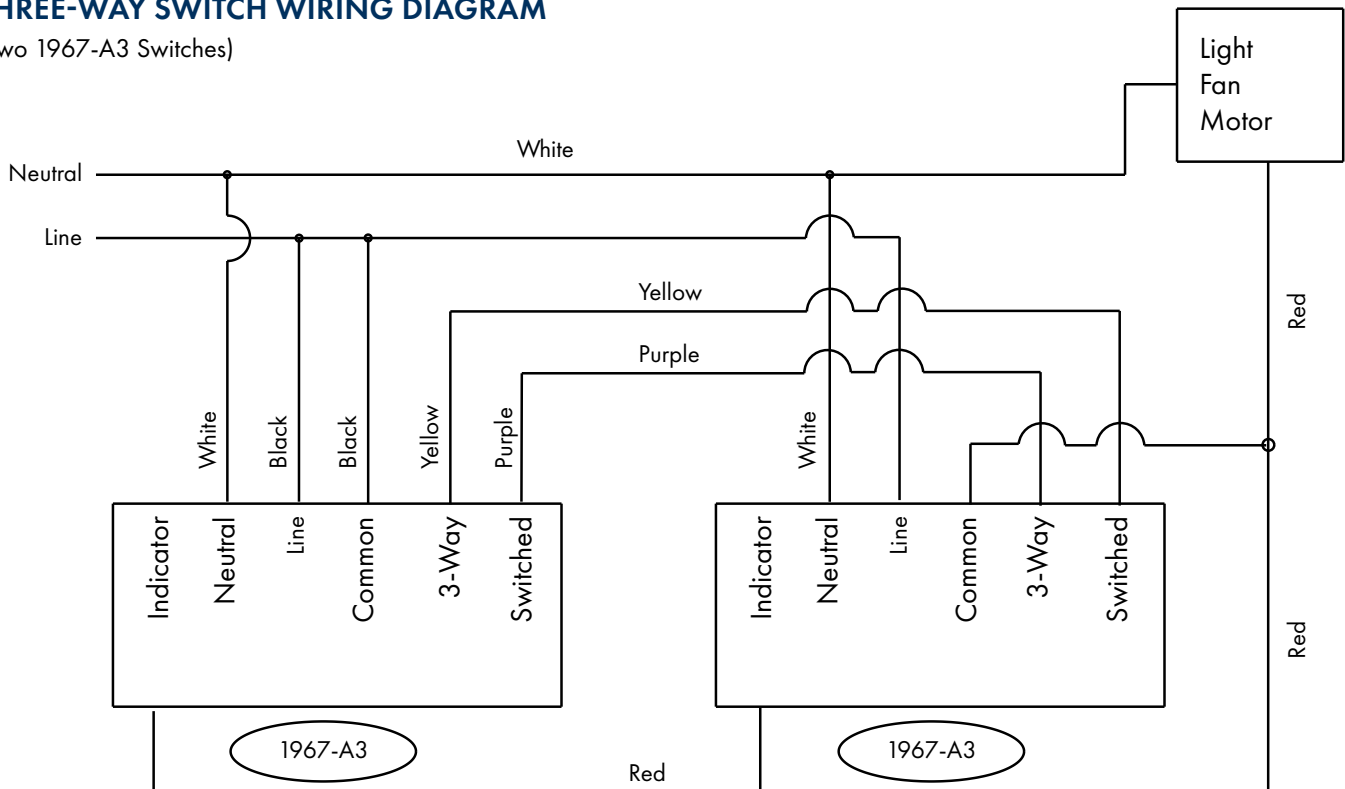
- Mechanical
 - Dimensions: 2.9" (74 mm) x 4.73" (120 mm)
 - Environment: Type 3R (Rain Tight)
 - Purpose of Control: Operating Control
 - Method of Mounting Control: Independent flush mounted standard single ganged device box (junction box)
 - Type of action additional features: 1.B
 - Control Pollution Degree: 2
 - Software Class and Structure: Class A
 - Rate Impulse Voltage: 2500
 - Temp. Sensing Range: -40°F (-40°C) to 104°F (40°C)
- Electrical
 - Voltage 120 VAC (240 VAC optional)
 - Relay Current:
 - 15 AMP Resistive/General Use @ 104°F (40°C)
 - 16 AMP Resistive/General Use @ 77°F (25°C)
 - Battery: 9 volt (not provided)
 - Digital Temperature Probe:
 - 2 connections (one probe provided)
- Regulatory
 - cULus Listed E110724
 - NSF
 - RoHS
 - 1-year warranty

ONE-WAY SWITCH



THREE-WAY SWITCH WIRING DIAGRAM

(Two 1967-A3 Switches)

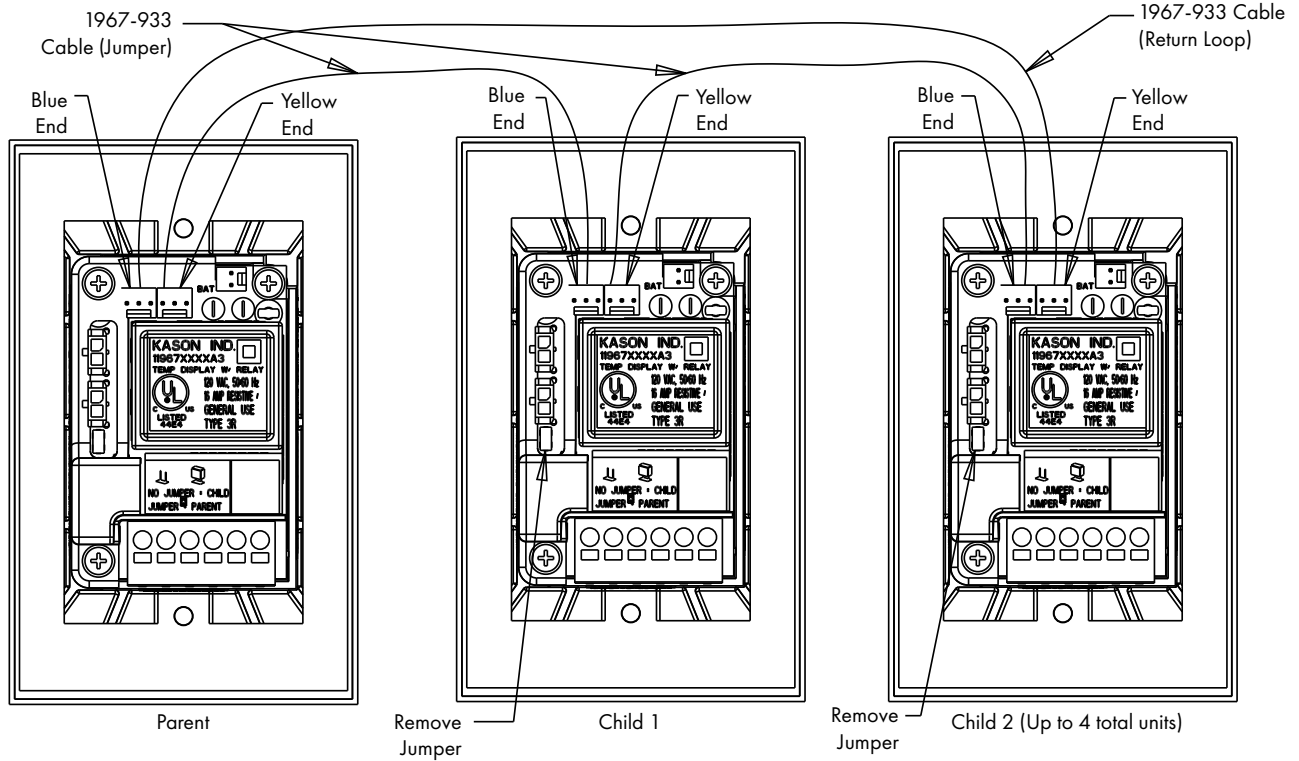


1967-A3 Dual Temperature Display and Switch

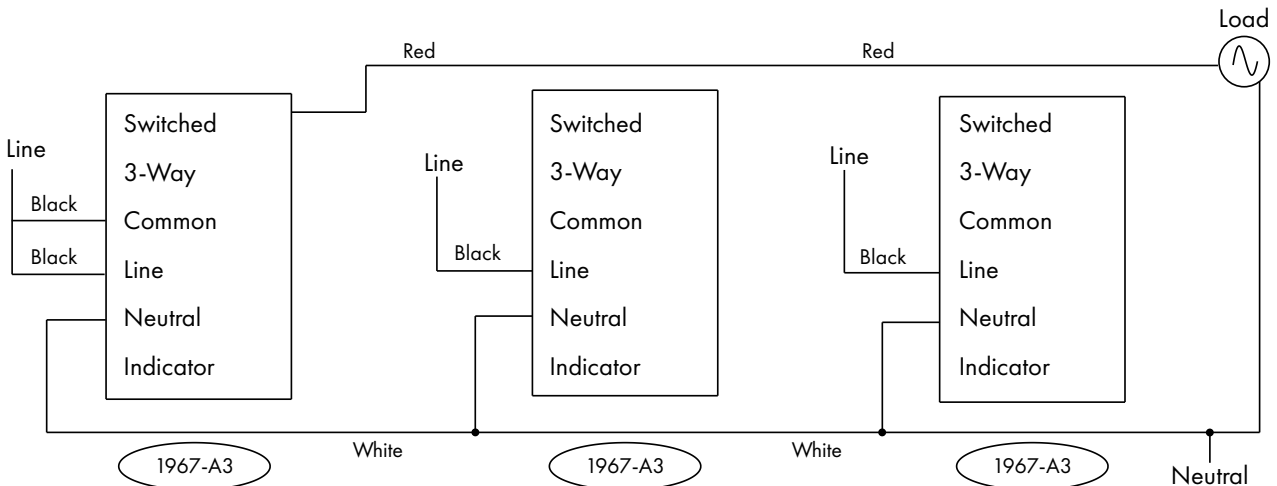
Part Number: 119670000A3

DAISY CHAINED THREE-WAY SWITCH WIRING DIAGRAM

(1967-A3 Switches)



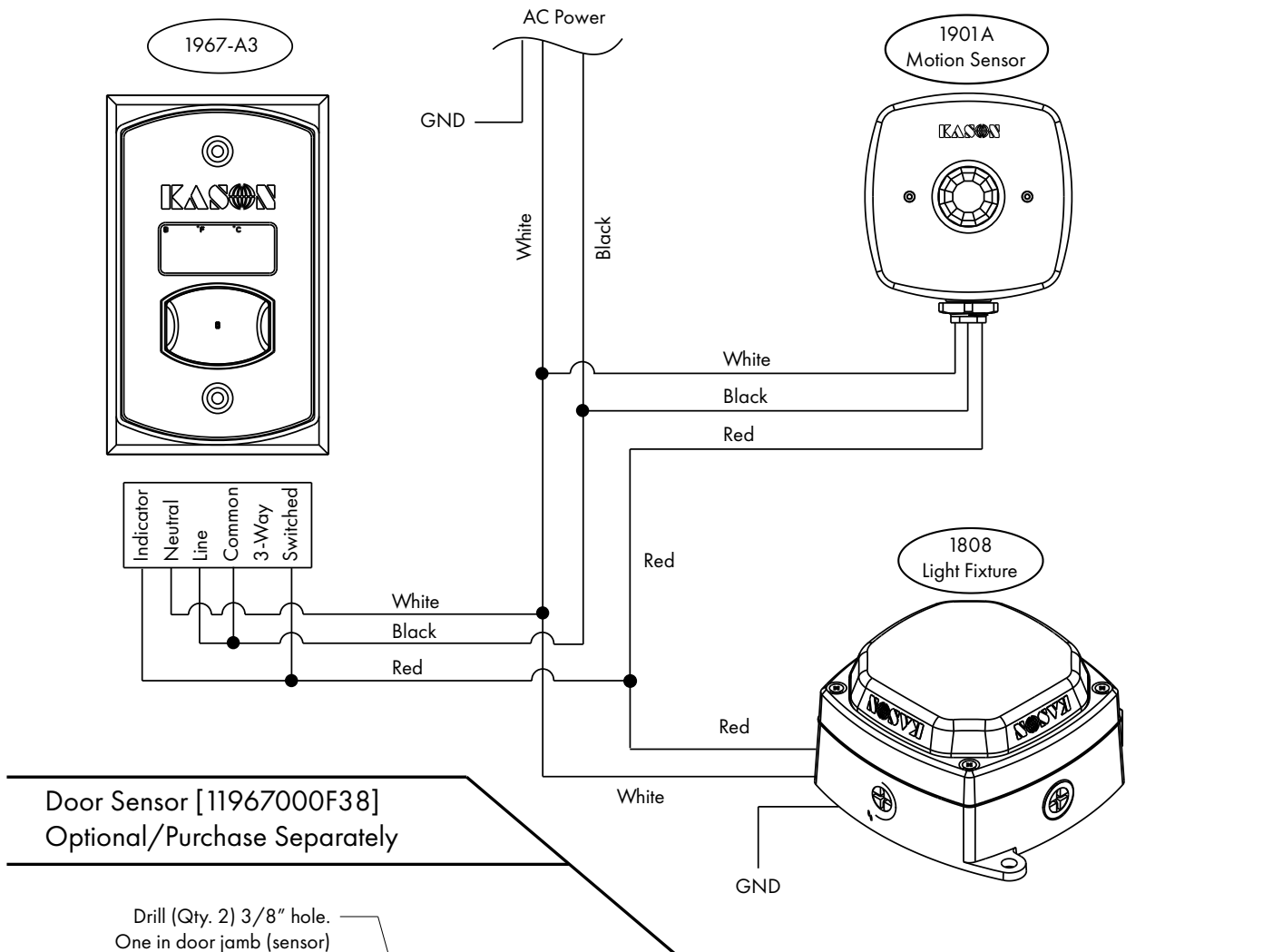
WIRING DIAGRAM



- **Note:** Connect color of cable end to connection location (daisy chained)
- **Note:** Parent is where light control is done and temperature sensors connect
 - This means all units will read same temperatures
- All other units are Children and must have the small jumper removed
- Door sensors can be used on any door opening and connected to closest Parent/Child

1967-A3 Dual Temperature Display and Switch

Part Number: 119670000A3



Door Sensor [11967000F38]
Optional/Purchase Separately

Drill (Qty. 2) 3/8" hole.
One in door jamb (sensor)
Second in door (magnet)

Press sensor firmly
to snap in place

Sensor and magnet
must line up

Magnet

1/4 - 1/2
[6.4 - 12.7]

Snap in
"TEMP 2" Loc

Snap in Temperature probe
"TEMP 1" Loc

