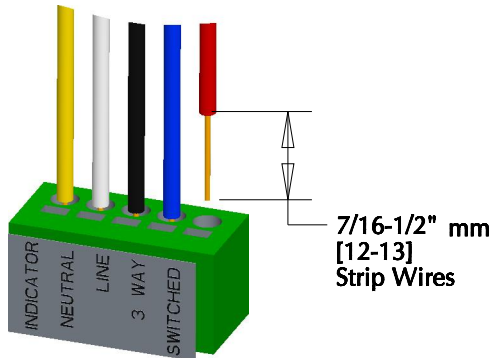


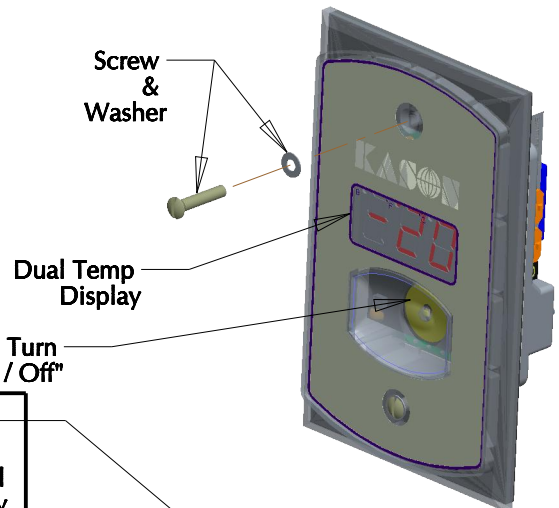
INSTALLATION:

1. Read all labels on unit and understand risks.
2. Disconnect power at breaker.
3. Route all high voltage power (Line, Switched, Neutral, Indicator, & Three Way) through separate conduit than the temperature probe(s) and battery cable conduit.
NOTE: Junction boxes must be rated for "Wet / Outdoor Location" if used in outdoor application. Use Teflon / PTFE tape to wrap all threaded conduit connections.

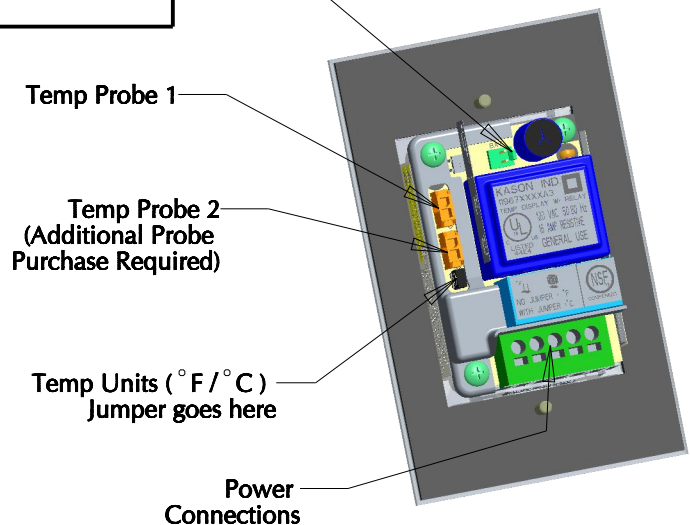


4. Connect power wires to terminal block. If wires fray while installing it is required to tin (solder) the wire leads in order to press into terminal block. Do not allow stray wires to exit the terminal block.
5. Connect battery cable and temperature probe(s) on back of unit. Select Temperature Units with black jumper.
6. Push all wire into junction box. Secure to junction box with screw / washer. Must fully seat screw / washer and gasket.

SPECIAL NOTE: Seal all conduit wire openings with a silicone sealant. This will keep moisture out of junction boxes.



Special Note:
Battery Connection:
If battery is not connected "DO NOT" Install Battery Cable



OPERATION:

Turn on / off switch: Touch yellow button
Indicator will light if power is applied to indicator connection.

Three Way: Follow wire diagram.
Indicator will light if power is applied to indicator connection.

Two Temp Probes: Will show both temps in a 1 minute cycle
Depending on temperature of room will read:
FrE or F1 / F2 [-40° F to 30° F] or [-40° C to -1° C]
CoL or C1 / C2 [32 F to 50 F] or [0° C to 10° C]
Hot or H1 / H2 [75 -104 F] or [24° C to 40° C]

Temperature Units: Default ° F, install small black jumper for ° C

Errors / Warnings:
Low battery: "B" on display will blink [replace battery]
"Hot / H1 / H2" room temperature is above 75° F [check refrigeration]
"OFF" temperature probe is not connected. [install or replace temp probe]

Special Features:
Dual Temperature Display alternates between freezer and cooler temperature.
Digital temperature Probe [No adjustments]
"Door Sensor [11967000038]: Turns lights ON when door is opened / OFF after 10 min. (see last page)

This product requires a qualified Electrician.
Follow all NEC requirements for installation.

PART NUMBER	DESCRIPTION
11967000003	DUAL TEMP DISPLAY-120V
11967000003240	DUAL TEMP DISPLAY 240VAC
11967000038	Door Sensor Wire, 12" [0.3m]
11967B09453600	Battery Cable, 36" [0.9m]
11967000942	Temperature Probe, 72" [1.8m]
11967006130117	Large Gasket



WARNING This item may contain chemicals known to cause cancer or reproductive harm in the State of California.

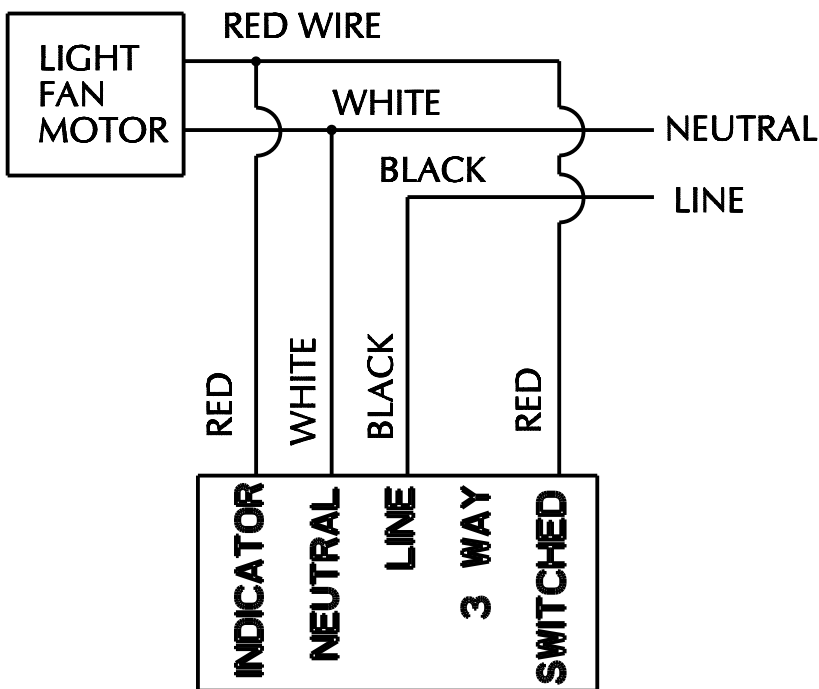
1967-3

DUAL TEMPERATURE DISPLAY W/ SWITCH



Kason Industries, INC.
57 Amlajack Blvd, Newnan GA 30265
1.800.93KASON (935.2766)

ONE WAY SWITCH:



SPECIFICATION:

Mechanical:

Dimensions: 2.9" [74mm] X 4.73" [120mm]

Environment: TYPE 3R (RAIN TIGHT)

Purpose of Control: Operating Control

Method of Mounting Control:

Independent flush mounted standard
single ganged device box (junction box)

Type of action additional features: 1.B

Control Pollution Degree: 2

Software Class and Structure: Class A

Rate Impulse Voltage: 2500

Temperature Sensing Range:

-40° F[-40° C] to 104° F[40° C]

Electrical:

Voltage 120VAC [240VAC OPTIONAL]

Relay Current:

15 AMP Resistive / General Use @ 104° F [40° C]

16 AMP Resistive / General Use @ 77° F [25° C]

Battery: 9 volt (not provided)

Digital Temperature Probe:

2 connections (one probe provided)

Regulatory:

cULus Listed E110724

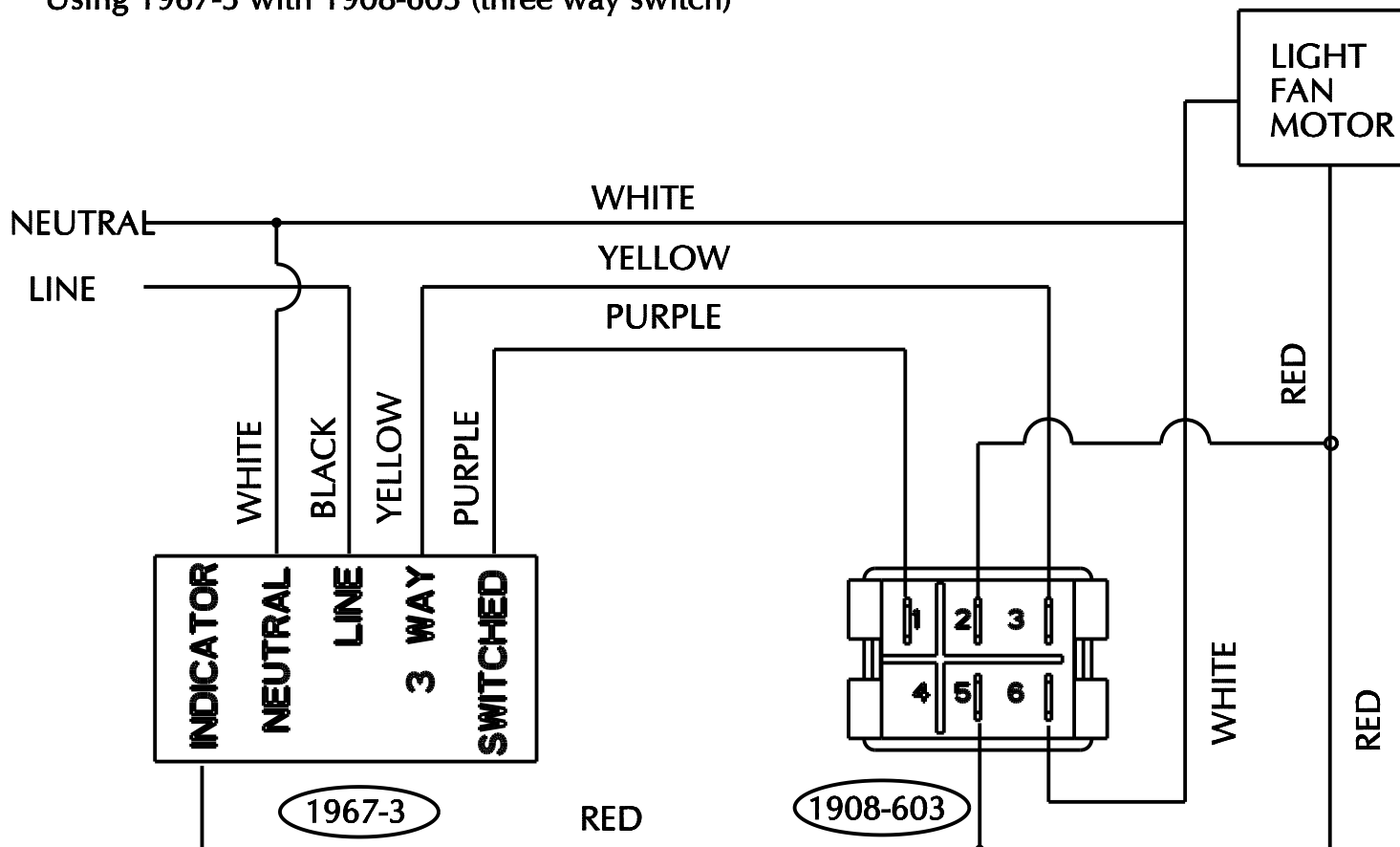
NSF

RoHS

Warranty: 1 year from Date of Purchase

THREE WAY SWITCH:

Using 1967-3 with 1908-603 (three way switch)



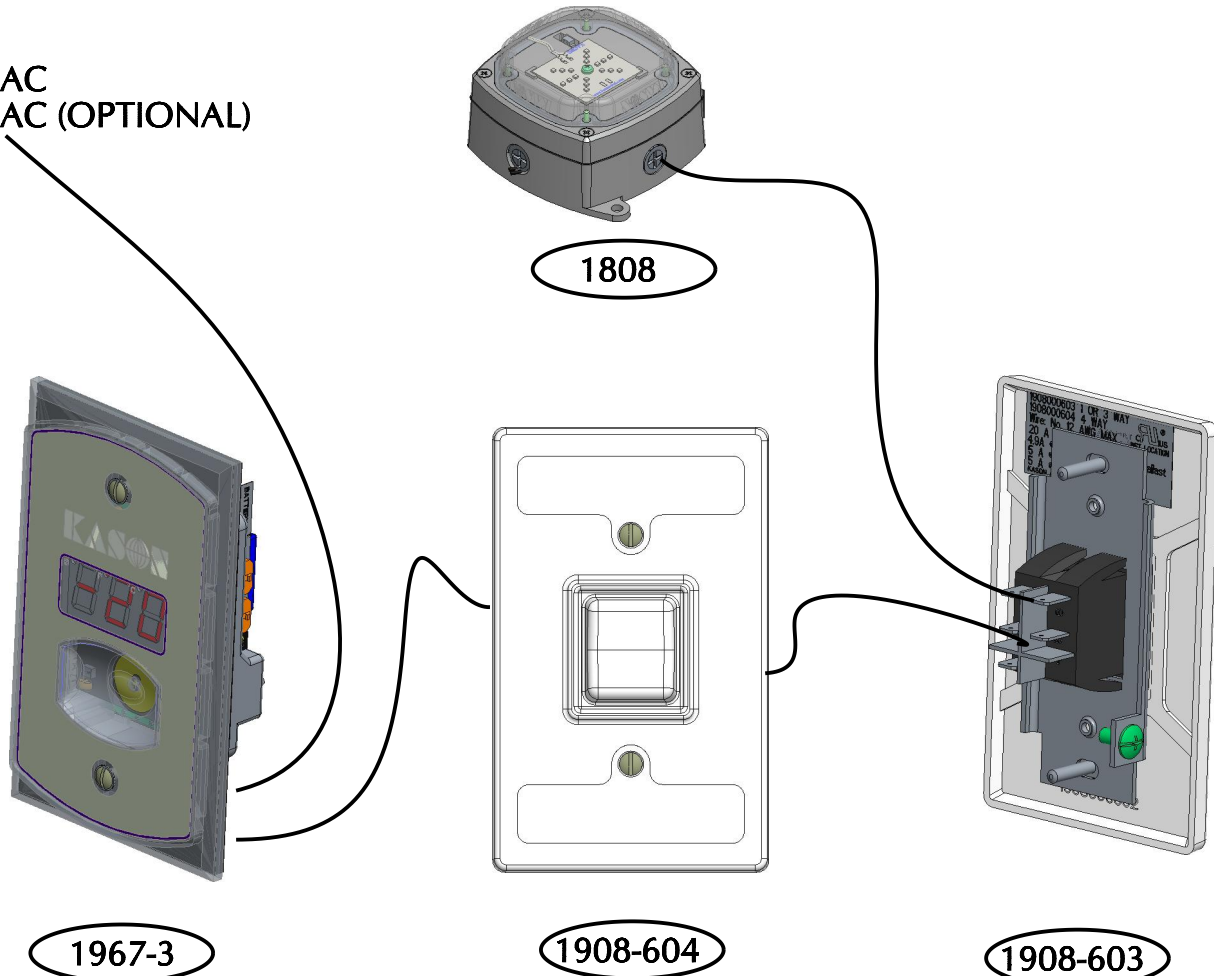
1967-3

DUAL TEMPERATURE DISPLAY W/ SWITCH

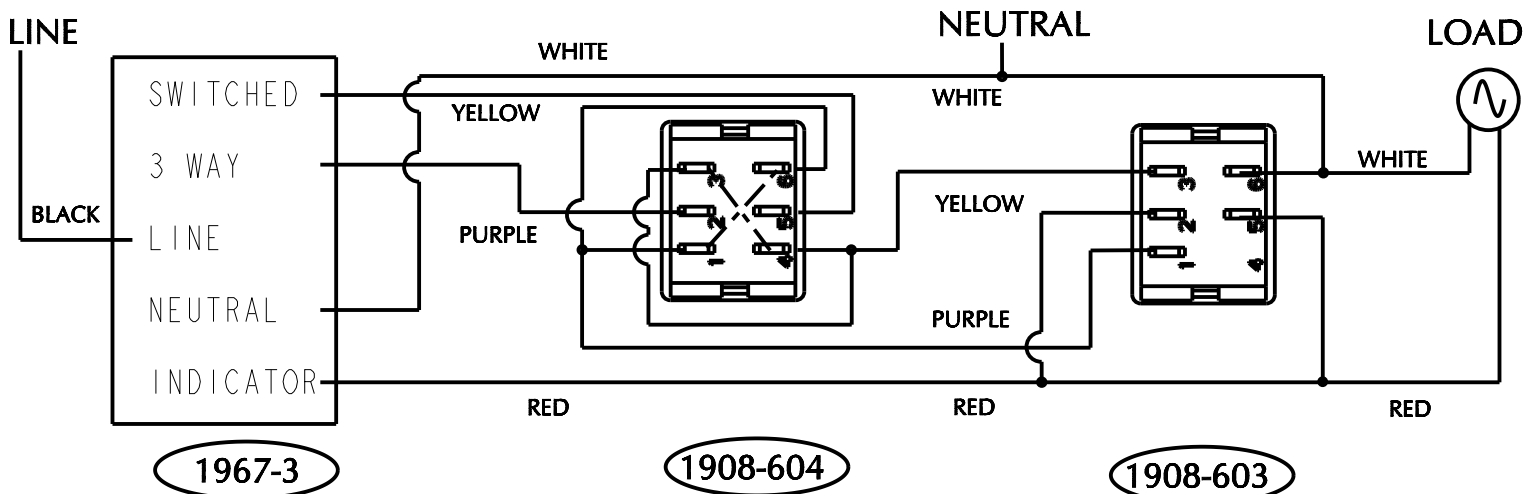
FOR USE WITH 1908-604 4-WAY SWITCH

FOR WIRE DIAGRAM BELOW: "NIGHTLIGHT" Indicator
Indicator in the 1908-603 will light when load is "ON" / 1908-604 will be "OFF"
Indicator in the 1908-603 will not light when load is "OFF" / 1908-604 will be "ON"

120 VAC
240 VAC (OPTIONAL)

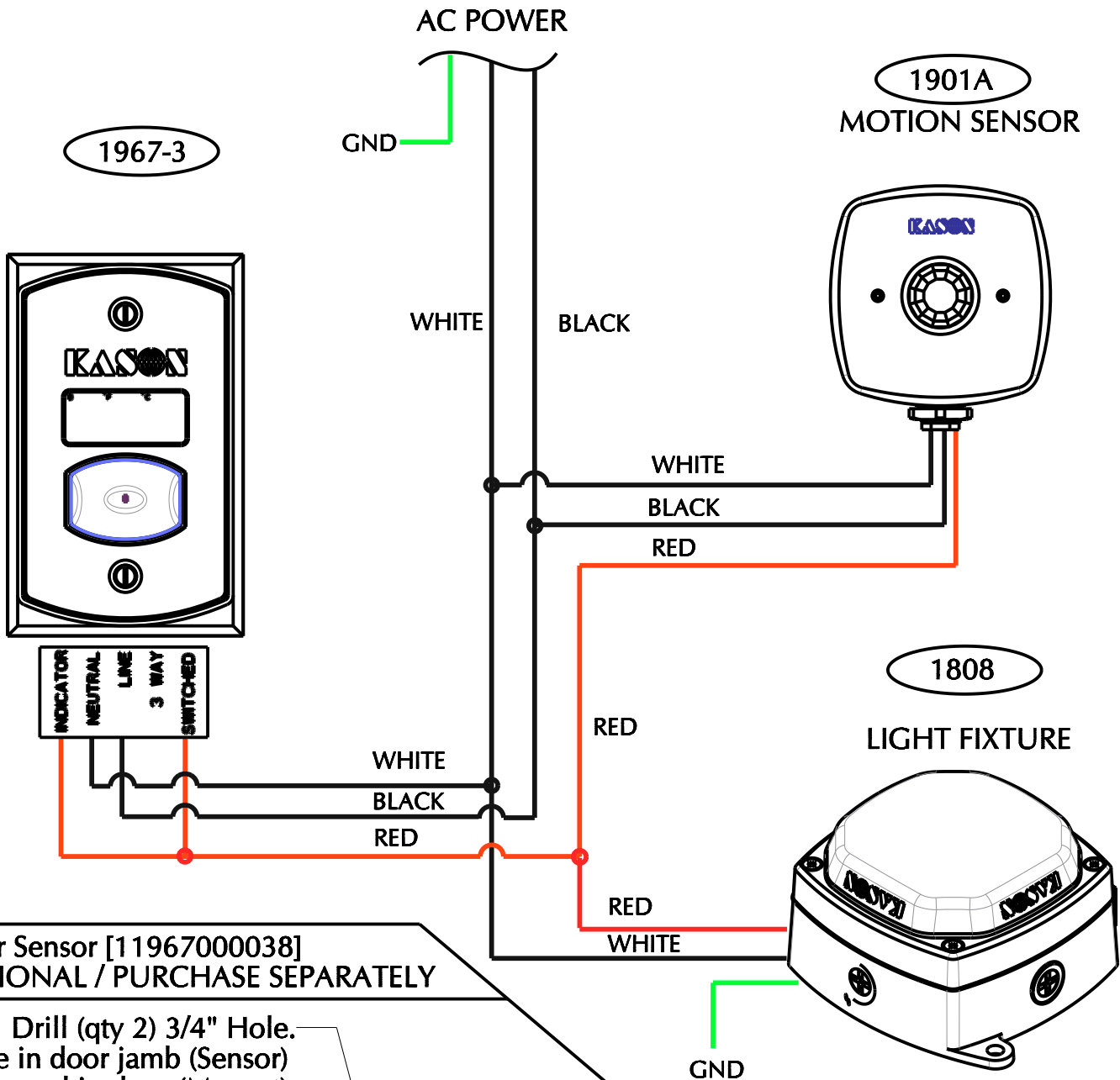


WIRING DIAGRAM



1967-3

DUAL TEMPERATURE DISPLAY W/ SWITCH



Door Sensor [11967000038]
 OPTIONAL / PURCHASE SEPARATELY

Drill (qty 2) 3/4" Hole.
 One in door jamb (Sensor)
 Second in door (Magnet)

Press sensor
 firmly to snap
 in place.

Sensor and Magnet
 must line up.

Magnet

Snap in
 "TEMP 2"
 Loc

Snap in Temperature
 probe "TEMP 1" Loc

3/8-1 [9,3-25,0]
 Activation Distance