

8600 Premier Single Doorware System

Part Number: 8600*

These installation instructions are for installing a door system prefabricated in accordance with the 8600EZ Single Door System Prefabrication Instructions ([IS-8600EZ-14A](#)). Door builders should supply installation instructions if they differ from the recommended construction.

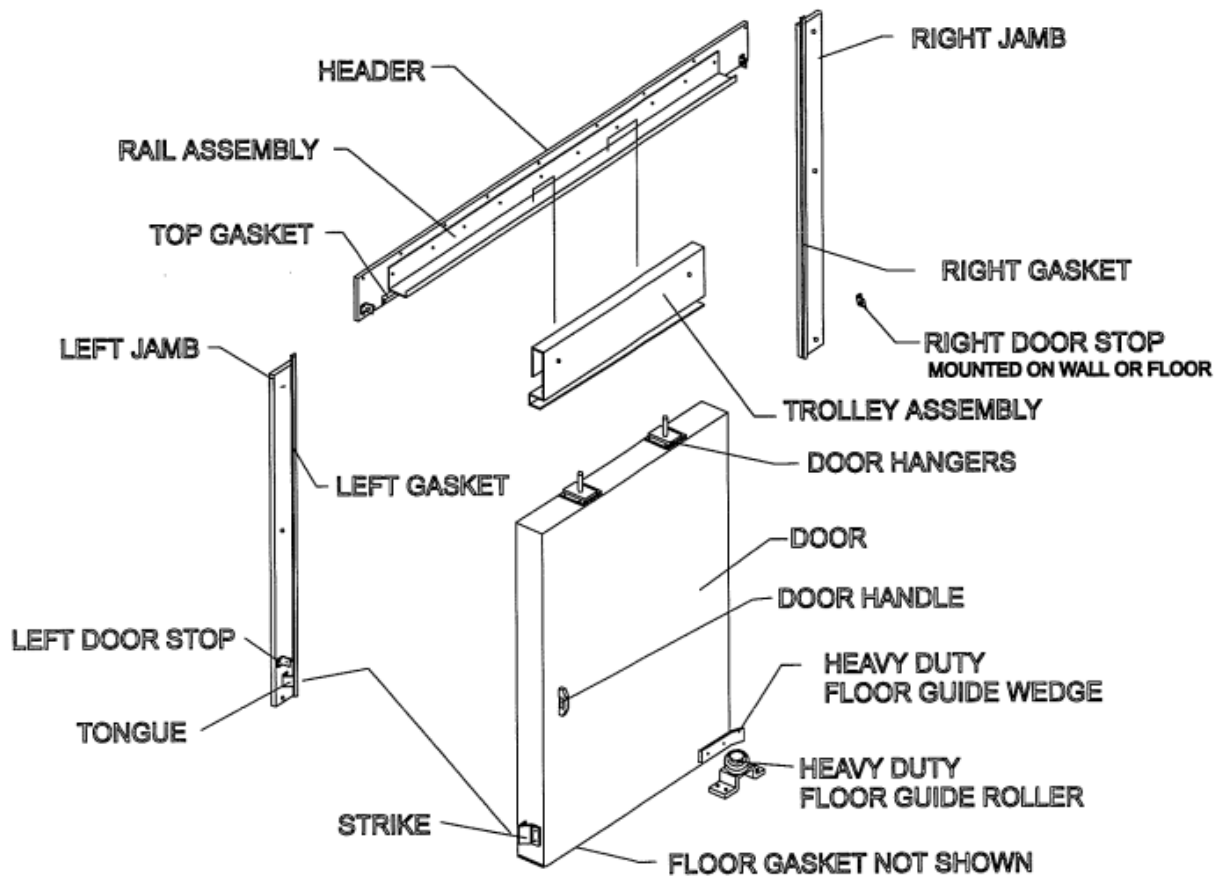
Prior to beginning installation, verify the following:

1. Opening size vs. door size supplied
2. Door manufacturer shipped the nuts and washers to mount door to trolley

3. Door manufacturer shipped the bolts or studs and nuts for attaching the jambs and header to walls and the floor mounted door stop and all parts of door system
4. All necessary components are at the jobsite to complete the specified system
5. Door manufacturer shipped installation instructions for any option and feature that requires installation at the job site

FIG. 1

Shows the single door components ready to be installed on an opening with typical lower guides



Note: When installing a large, heavy door, an inside and outside header and jamb system is recommended to be used to sandwich wall.

8600 Premier Single Doorware System

Part Number: 8600*

FIG. 2-A

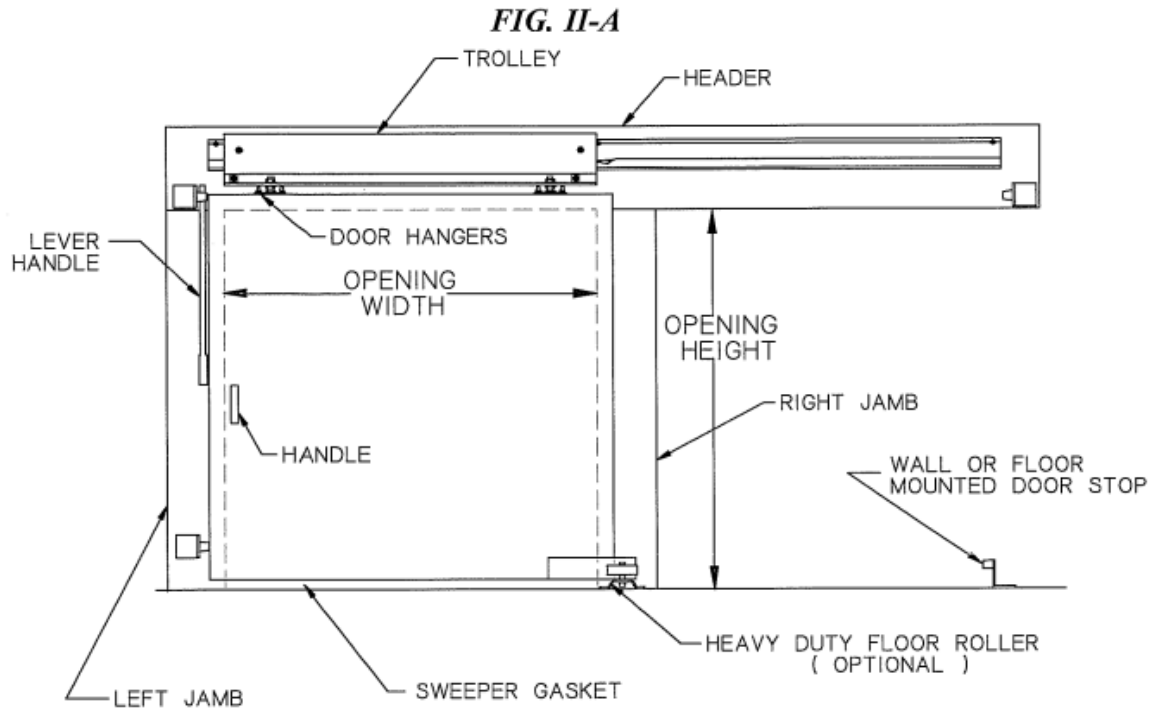


Fig. 2-A shows a completed single manual door installation

FIG. 2-B

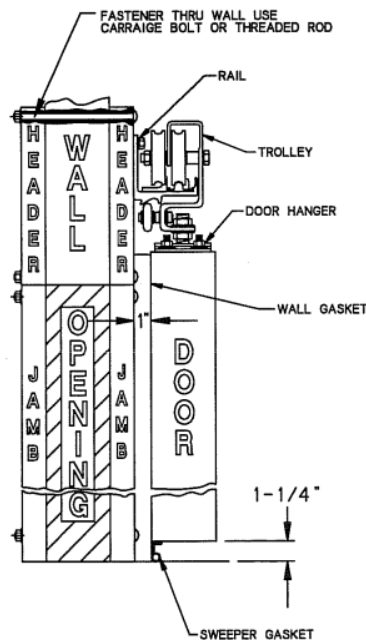


Fig. 2-B shows a side view of a completed single manual door installation in the closed door position. The doorstops and lever handle are not shown.

8600 Premier Single Doorware System

Part Number: 8600*

INSTALLING JAMBS AND HEADER

Note: Header and jambs are attached to wall as shown in FIG. III using minimum 3/8" fasteners. Carriage bolts are recommended. Door manufacturer must supply fasteners to the door installer.

A. Installing Jambs

1. The inner edge of the jamb should be flush with the door opening. Attach the left jamb plumb with a minimum of three fasteners. Jambs must be attached to wall square with the floor
2. Using only one bolt, attach the right jamb to the wall so it can be shifted to align with the header. The remaining bolts are to be installed after the header is set in place and checked for correct alignment

B. Installing Header

1. Lift the header assembly using a forklift or other mechanical aid. Set the header on the top of the two jambs so it will be parallel with the floor. The header gasket channel must set tightly between the two gasket channels on the jambs for proper gasket sealing. Adjust position of right jamb as required
2. Use a sufficient number of attachment bolts so the header is **FIRMLY** bolted to/or through the wall
3. Bolt right jamb with a at least two more bolts.

C. Installing Kason Gaskets

1. Door manufacturer must furnish door installers the bolts or studs and nuts for attaching structure to walls.

Note: Prefabricated header with power drive unit not shown. The same installation procedure is required.

FIG. 3

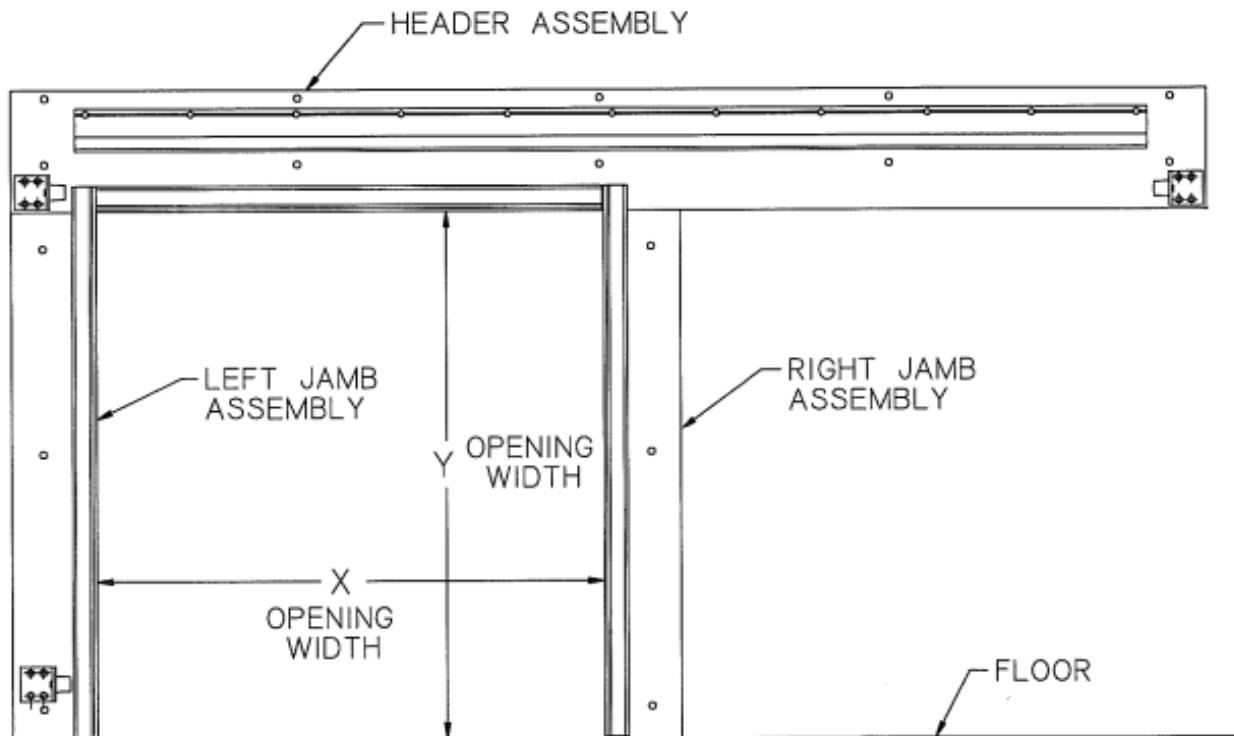


Fig. 3 shows the header and jamb installation centered over an opening for a manual system.

8600 Premier Single Doorware System

Part Number: 8600*

HANGING THE DOOR

A. Attaching Door to Trolley

1. Position trolley so that rollers are off the ramps on level track (See Fig. 4-A)
Caution: Do not allow trolley to roll past end of rail, door can fall causing injury.
2. Remove the top 3/4" jam nut and flatwasher from each hanger stud on the door
3. Locate door against trolley so hanger studs align with the holes in the trolley as in Fig. 4-A
4. Rotate bottom of door out so studs on hanger are under trolley. Check to insure the stud are still aligned with the trolley holes
5. Raise door to insert hanger studs into trolley holes by pivoting door into place as shown in Fig. 4-B
6. Start washer and nut onto stud when enough thread clears trolley hole. Use 1-1/4" block to support door as shown in Fig. 4-B and Fig. 4-C
7. Adjust door upward by turning nut until sweeper gasket clears floor by approximately 1 / 4" as shown in Fig. 4-C

B. Adjusting Door

1. Remove 1-1/4" block
2. Slowly roll door to closed position so that rollers have just reached lower level on ramp as seen in Fig. 4-A
3. Adjust door up or down by turning the up/ down adjustment nut as seen in Fig. 4-C so that sweeper gasket just seals against floor along entire length of door, tighten lock nut
4. Adjust door in or out by loosening hanger nuts as seen in Fig. 4-C and sliding door so that top interior face of door just seals against jamb gasket, avoid over compressing gasket, tighten all nuts

FIG. 4-B

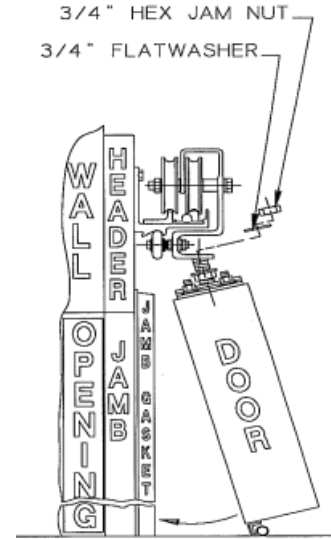


FIG. 4-C

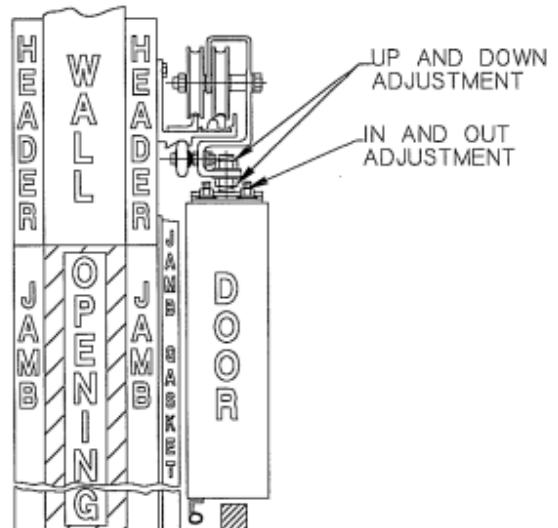
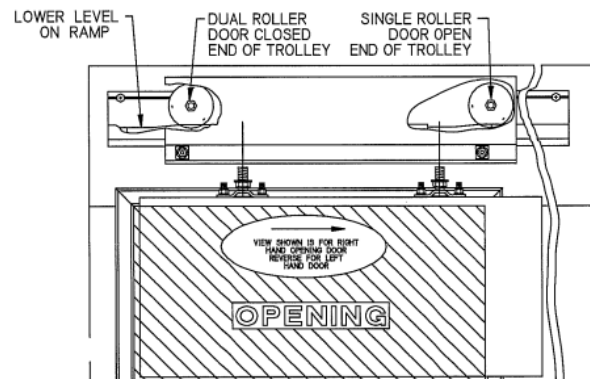


FIG. 4-A



8600 Premier Single Doorware System

Part Number: 8600*

COMPLETING THE INSTALLATION

A. Mounting Open Side Lower Door Stop

1. With door in open position and against top door stop, locate lower door open stop
Note: Lower door stop can be mounted on floor, as shown in Fig. 5, or on wall if properly reinforced.
2. Fasten door stop using 3/8" fasteners
Warning: Door stops are required for safety of equipment and personnel.
3. Check installation by slowly moving door from open to closed position

FIG. 5

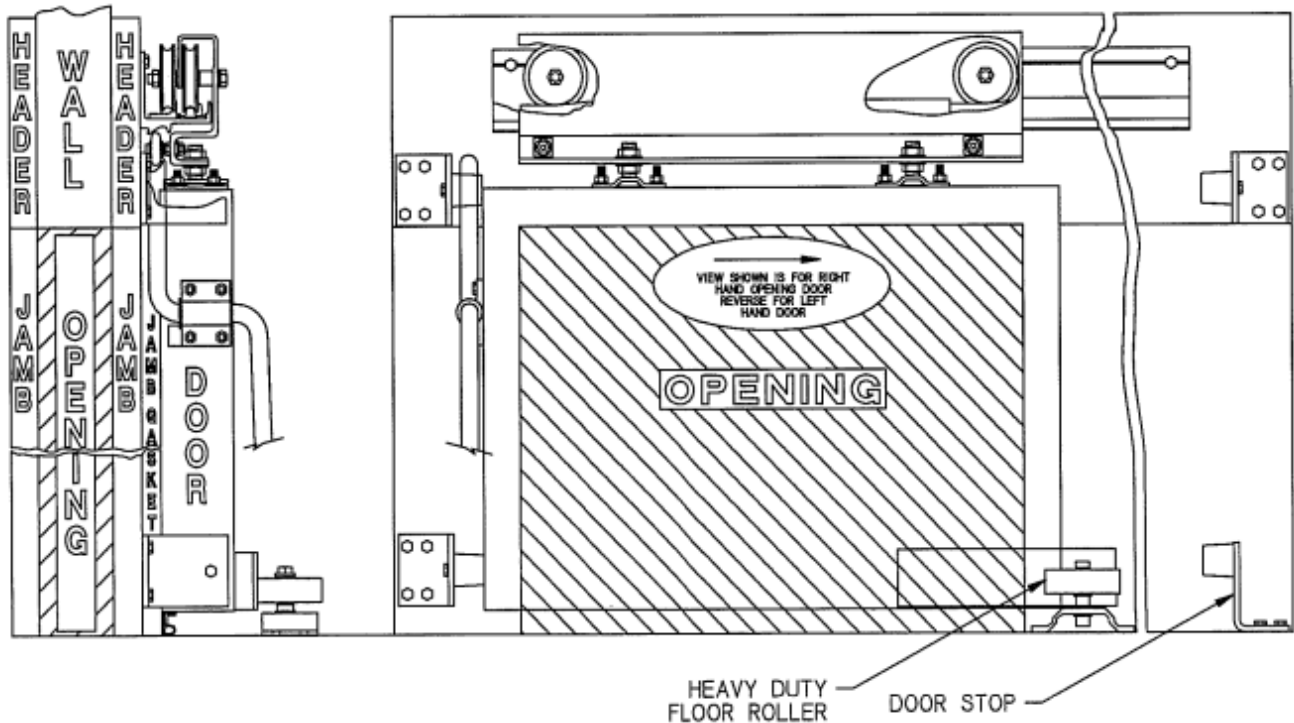


Fig. 5 shows the single door components installed on an opening.

8600 Premier Single Doorware System

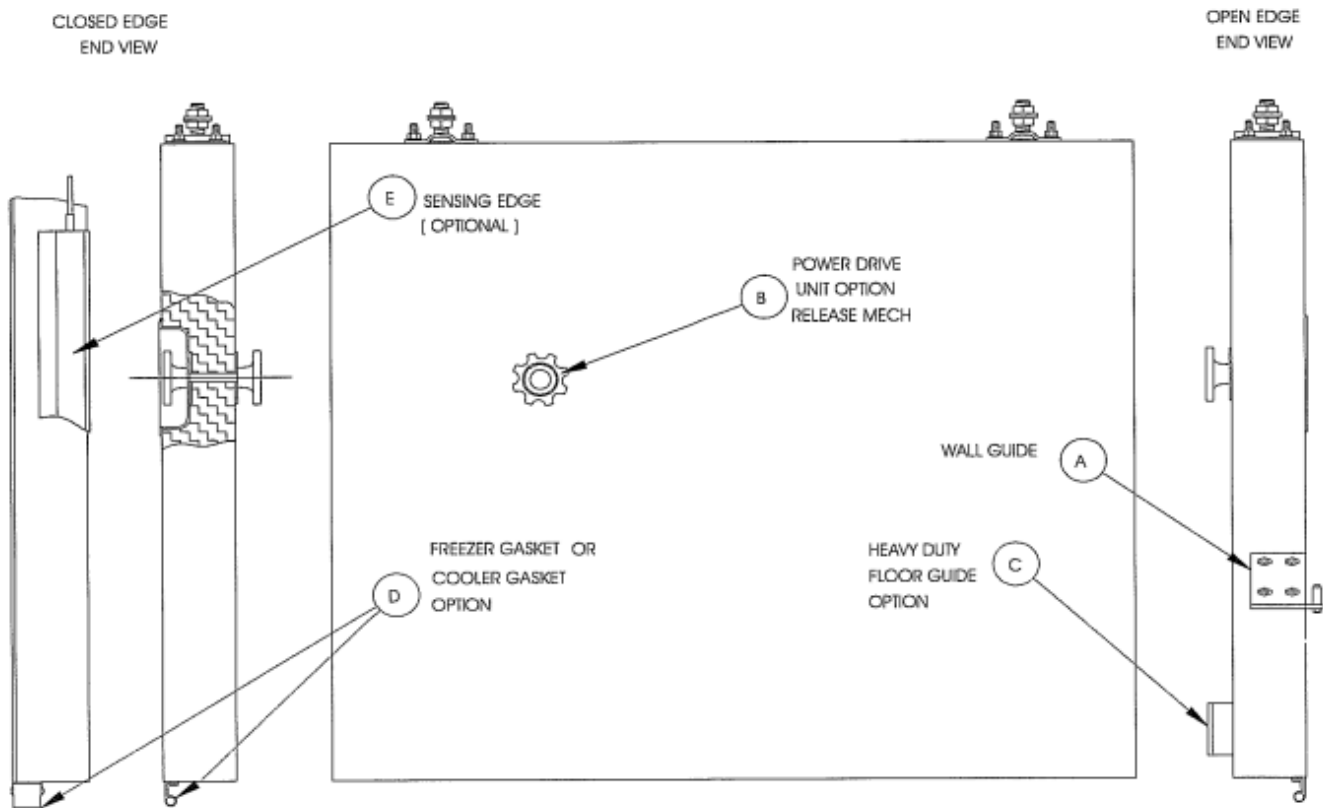
Part Number: 8600*

INSTALLATION OF OPTIONAL HARDWARE

1. Completing door installation may require site installation of user selected doorware options.
Note: Door manufacturer must provide door installers a copy of the installation instructions for any option that requires job site installation.
2. Installation instructions for most common options are listed below and shown in Fig. 6.

Document	Description
A	IS-8000-18 Wall Guide, R.H.
B	This Document Power Drive Release Mech
C	IS-8500-11 Heavy-Duty Floor Guide
D	IS-8600-34 Cooler and Freezer Gasket
E	IS-8600EZ-200 Power Drive Unit Sensing Edge
F	IS-8600-12 Inside Lever (not shown)

FIG. 6



Note: Standard and heavy-duty floor guide roller is mounted on the floor.

8600 Premier Single Doorware System

Part Number: 8600*

- A. Attaching Cable to Chain Disconnect for Powered System
1. Unroll cable connected to outside release knob.
 2. Pull loose cable end until nut is drawn tight to rod.
 3. Route loose cable end upward through hole in lever ann of upper chain disconnect as shown in Fig. 7-A and Fig. 7-B.
 4. Pull loose end of cable to take up slack.
 5. Evenly tighten both screws to clamp cable in lever ann as shown in Fig. 7-B.
 6. Test function by rotating knob, lever ann should pivot freely and return to at rest position when released.

FIG. 7-A

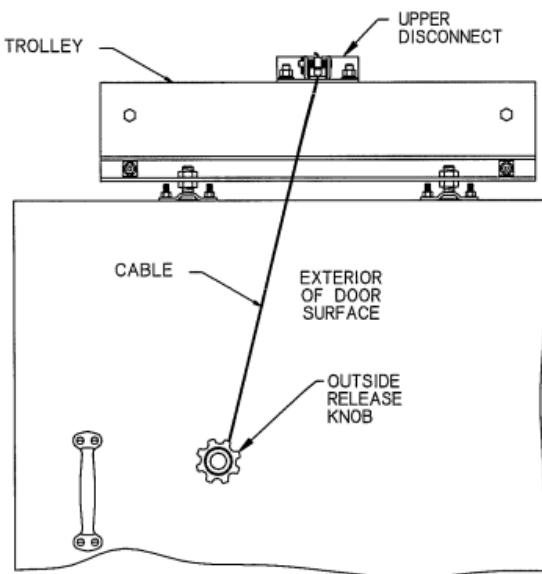
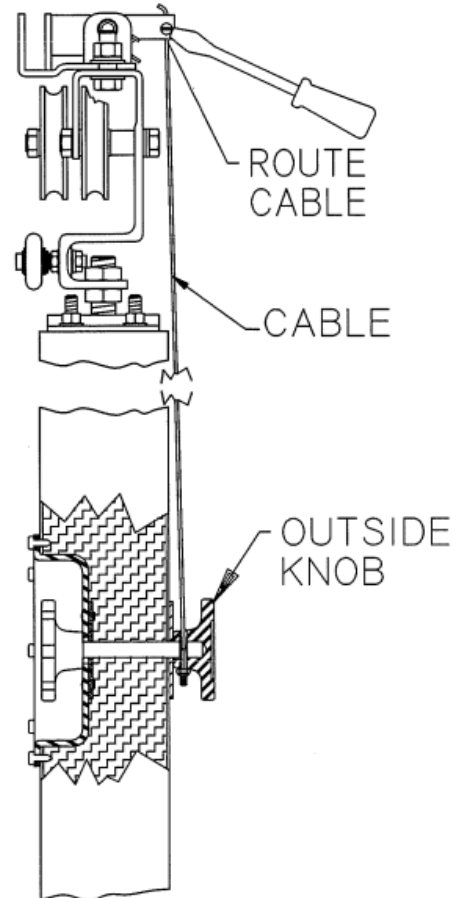


FIG. 7-B



8600 Premier Single Doorware System

Part Number: 8600*

FINAL CHECKS AND ADJUSTMENT

A. Items To Be Checked

1. With door in closed position, check to see that sweeper gasket just seals against floor.
2. Insure that door face just contacts jamb gasket. Avoid over compressing jamb gasket.
3. Upper and lower door stops should contact door edge simultaneously in both open and closed positions.
4. Open door by pulling lever handle in direction of door travel. Check to insure it clears the pull handle.
5. Check to insure lever handle contacts the closed side upper door stop while being rotated to open door.
6. Factory installed anti-lift roller assembly may require adjustment if excessive binding is noted. See Section B below for adjustment details.

B. Adjusting Anti-Lift (Only if Required)

1. When door is closed Anti-lift Roller should be positioned so that it just clears angle on underside of rail as shown in Fig. 8-A.
2. With door open Anti-lift Roller should just clear curved outer feature of rail as shown in FIG. 8-B below.
3. Adjustment is made by loosening outer nut while holding inside nut with a wrench. Use a screwdriver and turn adjustment shaft to produce desired positioning, re-tighten outer nut.
4. When properly adjusted door will roll smoothly throughout the entire travel range, slight Anti-lift Roller contact may occur when dual roller is on highest bridge position.

Note: For 8600EZ Power Drive item checks see [IS-8600EZ-200](#).

FIG. 8-A

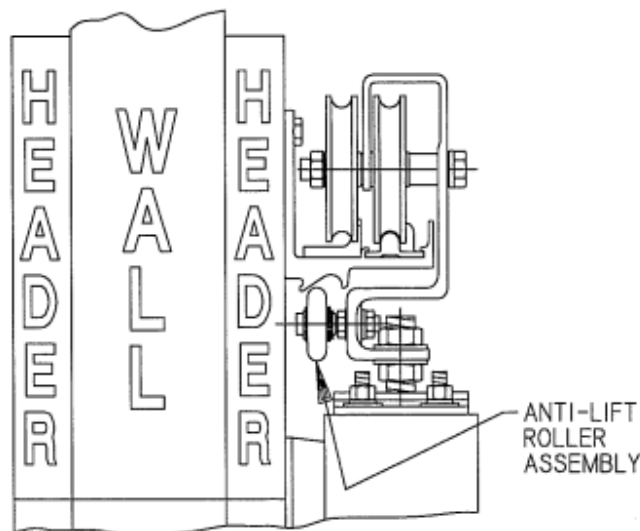
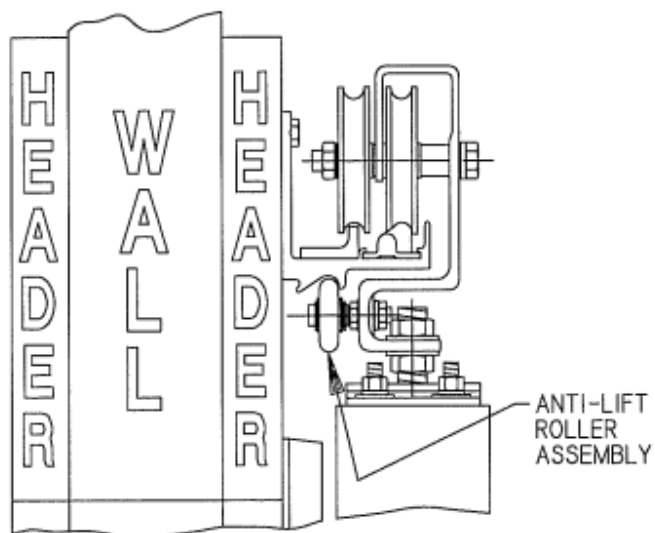


FIG. 8-A



8600 Premier Single Doorware System

Part Number: 8600*

TROUBLE SHOOTING GUIDE

A. Possible Problems and Solutions

1. Problem

Door is hard to open. Gasket compression is too high.

Solution

Adjust door out from gasket, see page 4, Fig. 4-C.

2. Problem

Door is hard to close or does not fully close. Gasket compression is too high.

Solution

Adjust door out from gasket, see page 4, Fig. 4-C.

3. Problem

Door does not roll smoothly or binds at open side of structure.

Solution

Check for interference with anti-lift roller assembly and adjust anti-lift roller assembly if required, see Fig. 8-A and Fig. 8-B on page 8.

4. Problem

Trolley not parallel to the door (trolley not straight up and down) and anti-lift cannot be adjusted properly.

Solution

Add shim washers between door and hanger bracket to compensate for misalignment.

5. Problem

Door impacts door stops but door is not fully open or closed. Door stops are improperly located.

Solution

Relocate door stops. On powered door systems, doors should not be stopped by the door stops. If door stops are in correct location, see Item No. 6 below.

Notes:

- If necessary system can be operated without ramps for heavy or tall doors. Ramps will have to be removed and replaced with track pieces.
- For additional trouble shooting hints, see instructions supplied with each user selected option.