

INDUSTRIAL ENCLOSURE HARDWARE



It's Better with Kason.

The Kason Mission

To Protect your Product Integrity

Our customers go to great lengths to build top-of-the-line coolers, freezers, foodservice equipment, industrial enclosures and delivery vans. Our goal is to preserve your product integrity by providing the highest quality door hardware and accessories for both original equipment and replacement applications.

End users need to protect products and processes, and lower operating costs. Their first line of defense is stable, airtight enclosures with doors that open with ease and close securely.

Since 1926, Kason has promised and delivered just that. Kason's extensive lines of walk-in and reach-in door hardware satisfy the most demanding requirements. Demonstrate the value of your products with the most innovative, dependable and longlasting hardware in the business.

Research and Testing

Every Kason product must fulfill our customers' requirements. Before we develop a new product, we research the needs of both our industry and end users. We are never satisfied with the status quo. Our dedicated research and development staff continually search for pioneering design concepts. They insist on engineering integrity, extensive product testing and precise, in-line quality control. That is how we have developed such successful and trustworthy products as SafeGuard® inside releasing safety latches, Pacesetter handles and hinges, stainless steel hinges and latches and truck door handles with removable cylinder locks.

Creative Concepts

Leading equipment manufacturers turn to Kason when they want a unique look of their own. We will adapt a stock product, design custom hardware or partner with your design engineers to develop a signature appearance just for your products. Building special and customized hardware is routine at Kason.

Quality

Kason production facilities boast state-of-the-art installations, featuring fully automated die-casting, polishing and electroplating, as well as a full range of electronically controlled and robotic machinery. We require the finest raw materials, accurate machine tolerances and the highest level of Finishing. Skilled, experienced people maintain the Kason tradition of production excellence. Our unremitting commitment to superior manufacturing assures you consistently high quality products at the lowest possible cost. Quality assurance is integrated into every step of Kason operations to from engineering research and development through packaging and shipping.

Service

The lifeline to all your foodservice needs is our efficient and friendly Customer Service Department. A representative can quickly track product availability or the status of your order with our computerized inventory and order control system. Count on dependable global delivery as we serve you from Kason distribution centers in the continental United States and Canada as well as through authorized distributors throughout the world.

Our Promise

Satisfying your needs is our top priority. That is why Kason supplies you with hardware and accessories that reflect the same quality you demand in your own products. We strive to demonstrate an attitude that makes you want to do business with us. At Kason we offer a tradition of excellence, a philosophy of innovation and the most trusted name in specialty commercial hardware.

Kason Contacts

USA Sales & Distribution Centers

1.800.93KASON (800.935.2766)

Kason Industries, Inc.

Global Headquarters

57 Amlajack Boulevard | Newnan, GA 30265-1015, USA
800.935.3550 | FAX: 770.251.4854
Info@kasonind.com

Kason Foodservice Division

31 Amlajack Boulevard | Newnan, GA 30265-1015, USA
866.231.2157 | FAX: 770.252.8397
FoodService@kasonind.com

Kason International Division

57 Amlajack Boulevard | Newnan, GA 30265-1015, USA
770.304.3000 | FAX: 770.251.4854
International@kasonind.com

Kason Vinyl Division

31 Amlajack Boulevard | Newnan, GA 30265-1015, USA
800.472.7450 | FAX: 770.252.8397
Vinyl@kasonind.com

Kason Canada Branch

226 Industrial Pkwy North, Unit 2 | Aurora, Ontario, L4G 4C3, Canada
905.713.6515 | FAX: 905.713.6518
Canada@kasonind.com

Kason Central Branch

8889 Whitney Drive | Lewis Center, OH 43035-7106, USA
740.549.2100 | FAX: 740.549.0701
Central@kasonind.com

Kason Mid-America Branch

1239 Atlantic Avenue | Kansas City, MO 64116-4141, USA
816.472.7450 | FAX: 816.472.8580
MidAmerica@kasonind.com

Kason Western Branch

1500 East Wooley Road, Suite E
Oxnard, CA 93030-7385, USA
805.247.1088 | FAX: 805.247.1164
Western@kasonind.com

0056 SafeGuard® Latch.....	8	1341 Stainless Steel Double Knuckle Hinge.....	13
0058 SafeGuard® Radial Latch.....	7	1346S Stainless Steel Adjustable Hinge.....	15
0059 Roller Strike.....	7	1377L/1377S Stainless Steel Self-Closing Hinges.....	16
0382 Classic Pull.....	17	1802LG with 1802-2 Wire Guard/1803LG/1804LG.....	26
0481 Safety-Glow Inside Release.....	12	1808 LED Fixture.....	25
0481 Stainless Steel Safety-Glow Inside Release.....	12	1810LCT400 LED Fixture Light.....	24
0482 Hi-Temp Inside Release.....	12	3700 Series Rubbaseal™ Silicone Sealant.....	23
0487 Frost-Free Inside Release.....	12	3701 Series Butyl Sealant.....	23
0488L Panic Bar Inside Release and 0778 Latch Assembly (UL 305 Certified).....	5	5001 Heavy-Duty Pull.....	18
0488 Series Walk-In Push Bar Inside Release.....	11	5656 SafeGuard® Two-Point Locking Latch.....	8
0573 Offset Pull.....	17	5688 SafeGuard® Two-Point Latch with 0488 Vertical Push Bar Inside Release.....	10
0578 Offset Pull.....	17	7301 Series Stainless Steel Continuous Hinges.....	13
0778 Stainless Steel SafeGuard® Radial Tongue Latch.....	6	7303 Series Stainless Steel Butt Hinges.....	21
0779 Stainless Steel Spring Roller Strike.....	6	7304 Stainless Steel Latch Hinges.....	21
0915 Series Decorator Handles.....	19	7306 Series Stainless Steel Lift-Off Hinges.....	22
0916 Series Heavy-Duty Stainless Steel Handles.....	20	7307 Series Stainless Steel Lift-Off Flag Hinges.....	22
1245 Reversible Cam-Rise Hinges.....	14	7308 Series Heavy-Duty Stainless Steel Handles.....	19
1246 Reversible Cam-Rise Hinges.....	14	7321 Series Stainless Steel Handles.....	20
1248 Spring Assisted Hinges.....	14	7808 Handle with Mounting Plate.....	18
1249 Spring Assisted Hinges.....	14	Kason Industrial Enclosure Door Hardware.....	4



Kason Industrial Enclosure Door Hardware

- Stainless Steel Latches and Hinges
- Forged Brass Latches and Hinges
- SafeGuard® Safety Latches
- Multiple Seal Latches
- Trigger Action Latches
- Explosion Venting Latches
- Heavy-duty Pull Handles
- Iron Hinges
- Narrow Flange Hinges
- Double Knuckle Hinges
- Thermal Flex® Strip Curtains & Swing Doors

Industrial Applications

- Generator Enclosures
- Clean Rooms
- Spray Booths
- Process Ovens
- Test Chambers
- Dryers
- Batch Freezers
- Pressurized Units
- Modular Buildings
- Any Industrial Equipment Requiring Doors
- Data Centers
- Energy Storage
- Modular Medical Unit
- Mobile Trailers
- Mechanical Enclosures

How to Determine Offset For Hinges and Latches

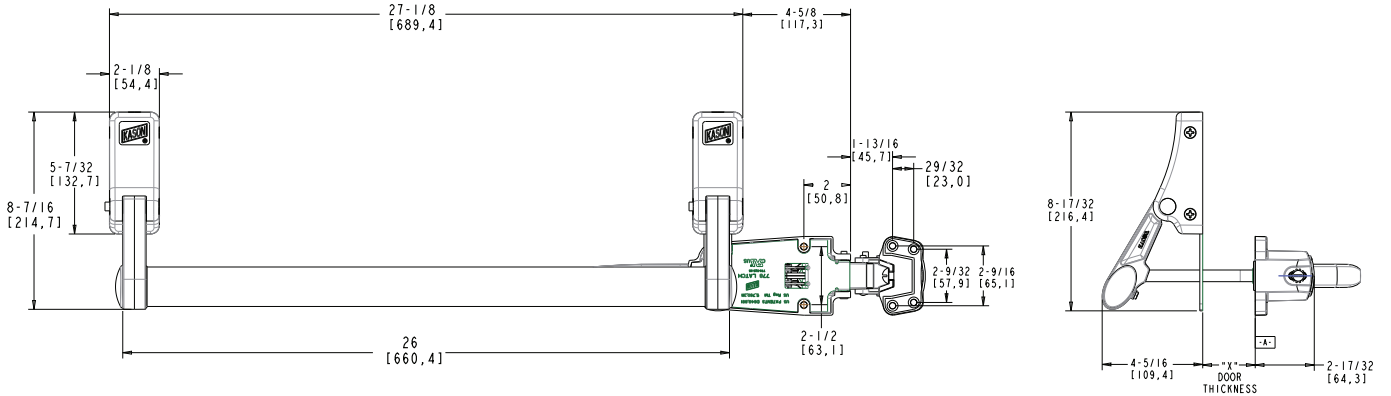


With door closed, measure the distance from the jamb to the door face.





U.S. Patent No. 11,193,311



- UL305 and Can/ULC-S132 certified panic device
- Stainless steel and aluminum materials for non-corroding construction
- Crossbar design provides a large contact area for opening door
- Ergonomic design provides simple low-effort operation
- Accommodates left and right handed doors
- Certified for doors up to 4' x 7' (width x height)
- Tested to UL305 and Can/ULC-S132 standard for panic devices
- Models available for flush through 1-5/8" offset doors
- Designed for 1/4" mounting screws

Specifications

Material

- Cross bar: 304 stainless steel
- Mounting brackets: 304 stainless steel
- Push rod: 303 series stainless steel
- Cover: Die-cast aluminum
- Pivot arm: Die-cast aluminum
- Hardware: Stainless steel
- Pin: 304 stainless steel
- Springs: Music wire
- End caps: Black polyethylene
- Bearings: Bronze

Temperature Range

-40°F to 150°F (-40°C to 65°C)

Part No.	Description	Door Thickness	Qty./ Carton	Wgt./ Carton
10488LC200302	Panic Bar Inside Release w/ 0778 Latch and 0779 Strike, #602 (UL)	2" to 2-1/4 (50.8 to 57.2 mm)	1	12.18 lb (5.52 kg)
10488LC225302	Panic Bar Inside Release w/ 0778 Latch and 0779, Flush Strike, #602 (UL)	2-1/4" (57.2 mm)	1	12.52 lb (5.68 kg)
10488LC400302	Panic Bar Inside Release w/ 0778 Latch and 0779 Strike, #602 (UL)	4" (101.6 mm)	1	12.64 lb (5.73 kg)

Part No.	Description
90448CS1115630	Push Rod 5.63" for Standard 0488C, 2-1/4 to 2-1/2" Door, Stainless Steel
90448CS1117460	Push Rod 7.46" for Standard 0488C, 4" Door, Stainless Steel
90448CS1117630	Push Rod 7.63" for Standard 0488C, 4-1/4" to 4-1/2" Door, Stainless Steel



0778 Stainless Steel SafeGuard® Radial Tongue Latch



© U.S. Trademark 5,760,311
 U.S. Patent No. D-649,861
 © U.S. Trademark 5,809,888

- 316 stainless steel body, handle, and strike housing, satin finish
- Radial tongue makes for effortless door closure when combined with Kason door closers
- Corrosion Resistant
- The walk-in latch unsurpassed for reliability is now available for the most challenging applications
- 0778 features unequaled strength and corrosion-resistance
- Tamper-resistant locking mechanism and mounting are built in
- Adjustable roller strike assures precise adjustment
- Padlocking provision standard on all models
- Accepts Kason inside release lever to prevent accidental entrapment in locked walk-ins. Inside lever releases cylinder locked or padlocked door

Specifications

Material

Satin Finish, #316 stainless steel body and strike housing

Mounting

Holes drilled and countersunk for 1/4" (6 mm) screws.

Packaging

6 per carton.

Inside Release

Accepts any "C" series inside release.

Locking Mechanism

Accepts Master #1 U Padlock with 5/16" shank

Part No.	Description	Approval	Wgt./ Carton
10778CL6020*	Cylinder Latch Body, Light Spring	NSF/ C-UL-US†	24.2 lb (10.9 kg)
10778LO6020*	Padlocking Latch Body, Light Spring	NSF/ C-UL-US†	24.2 lb (10.9 kg)
10778CH6020	Cylinder Latch Body, Heavy Spring	NSF	24.2 lb (10.9 kg)
10778H06020	Padlocking Latch Body, Heavy Spring	NSF	24.2 lb (10.9 kg)
10778006002	Strike, -1/8" to 3/4" (-3 to 19 mm)		7.8 lb (3.5 kg)
10778006003	Strike, 3/4" to 1-5/8" (19 to 41 mm)		9.5 lb (4.3 kg)
10778006004	Strike, 1-5/8" to 2-1/2" (41 to 64 mm)		12.6 lb (5.7 kg)
10778006102	Strike, -1/8" to 3/4" (-3 to 19 mm), Stainless Steel Roller		7.8 lb (3.5 kg)
10778006103	Strike, 3/4" to 1-5/8" (19 to 41 mm), Stainless Steel Roller		9.5 lb (4.3 kg)
10778006104	Strike, 1-5/8" to 2-1/2" (41 to 64 mm), Stainless Steel Roller		12.6 lb (5.7 kg)

0779 Stainless Steel Spring Roller Strike



U.S. Patent No. D-891,915

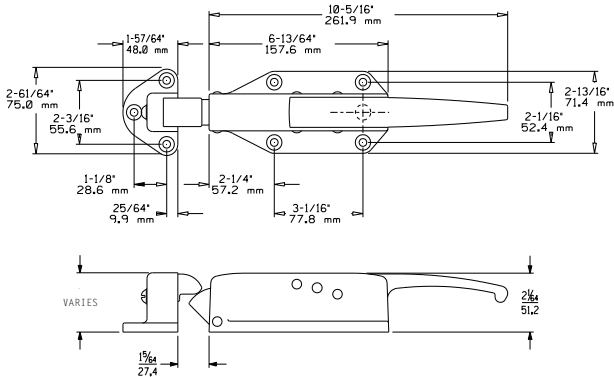
- Protects the latch mechanism which is not designed for door closure after being locked. Use on 0058, 0078 and 0778 latches
- Designed with a spring loaded, pivoting roller arm which deflects when door is closed with a locked latch, preventing unwanted damage to the latch
- Arm has full rigidity when engaged with latch
- Tamper-proof spring and pins
- Type 316 stainless steel cast components
- Nylon roller standard, stainless steel roller optional

Part No.	Description	Offset	Wgt./ Carton
10779006002	Strike Assembly, Nylon Roller	1/8" to 3/4" (3.2 to 19.1 mm)	9 lb (4.1 kg)
10779006003	Strike Assembly, Nylon Roller	3/4" to 1-5/8" (19.1 to 41.3 mm)	10.8 lb (4.9 kg)
10779006102	Strike Assembly, Stainless Steel Roller	1/8" to 3/4" (3.2 to 19.1 mm)	9.6 lb (4.4 kg)
10779006103	Strike Assembly, Stainless Steel Roller	3/4" to 1-5/8" (19.1 to 41.3 mm)	11.4 lb (5.2 kg)
90779006202	Strike Assembly, Brass Roller	1/8" to 3/4" (3.2 to 19.1 mm)	9 lb (4.1 kg)
90779006203	Strike Assembly, Brass Roller	3/4" to 1-5/8" (19.1 to 41.3 mm)	10.8 lb (4.9 kg)





© U.S. Trademark 2,227,009



- For smooth, easy closure
- Works with foam doors
- Reliable, self-closing action provides positive tight closure with little effort
- Releases with minimum pressure or pull from outside or from inside with Kason inside release handle
- Works effectively with Kason door closers
- Economical, adjustable solid head strike
- Padlocking provision standard on all models



Specifications (0058/0059)

Material

High pressure die-cast zinc, stainless black plate

Finish

Polished chrome models listed. Also available in brushed chrome, silver powder coat, or powder coated for severe environmental applications

Mounting Holes

Drilled and countersunk for 1/4" (6.0 mm) screws

Packaging/Weight

6 body assemblies/approx. 16 lb (7.3 kg) per carton
6 strike assemblies/approx. 7 lb (3.2 kg) per carton

Inside Release

Accepts "C" series inside release. Order separately

Locking Mechanism

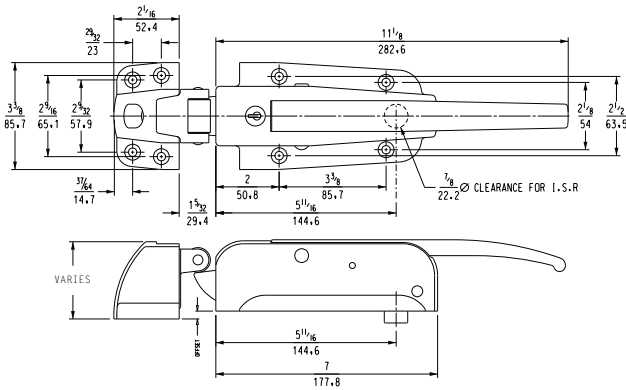
Accepts Master #1 U Padlock with 5/16" shank

Part No.	Description	Offset
10058CH5020	Cylinder Locking Body, Heavy Spring	
10058CL5020	Cylinder Locking Body, Light Spring	
10058H05021	Body, Heavy Spring	
10058L05021	Body, Light Spring	
10058005001	Strike	-1/8" to 1/4" (-3.2 to 6.4 mm)
10058005002	Strike	3/4" to 1-5/8" (19.0 to 41.3 mm)
10058005003	Strike	1-3/4" to 2-1/2" (44.5 to 63.5 mm)
10059005001	Roller Strike	-1/8" to 1/4" (-3.2 to 6.4 mm)
10059005002	Roller Strike	3/4" to 1-5/8" (19.0 to 41.3 mm)
10059005003	Roller Strike	1-3/4" to 2-1/2" (44.5 to 63.5 mm)

0056 SafeGuard® Latch



© U.S. Trademark 2,181,603;
5,809,889



- Bolt-type tongue provides positive locking action
- Proven, heavy-duty construction outlasts similar latches in hard commercial use
- Adjustable strike assures precise adjustment (Order Separately)
- Padlocking provision standard on all models
- Accepts Kason inside release lever to prevent accidental entrapment in locked walk-ins
- Inside lever releases cylinderlocked or padlocked door
- Unsurpassed for long life and reliability

Specifications

Material

High pressure die-cast zinc body and strike housing, 300 series stainless steel handle

Finish

See table on [page 9](#). Powder coat finishes and stainless steel handle available for use in extreme environmental conditions.

Mounting

Holes drilled and countersunk for 1/4" (6.4 mm) screws

Packaging/Weight

6 body assemblies per carton/approx. 30 lb (14 kg) per carton
6 strike assemblies per carton/approx. 10 lb (4.5 kg) per carton

Inside Releases

0480, 0483, 0481A, 0482A, 0486A, 0487A, 0488A, 0489A, and 0481SA

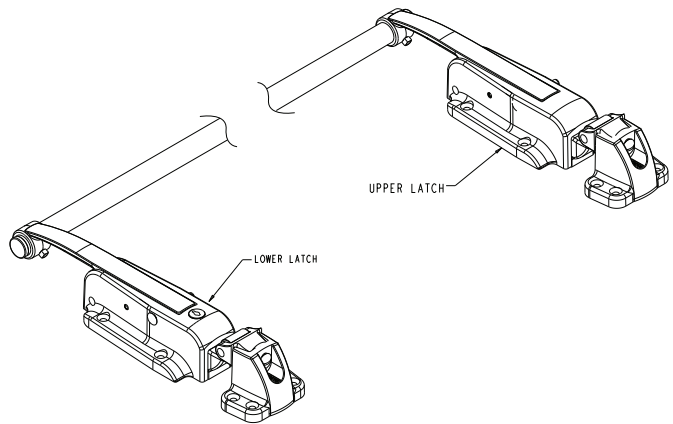
Locking Mechanism

Accepts Master #1 LJ Padlock with 5/16" shank

5656 SafeGuard® Two-Point Locking Latch



© U.S. Trademark 2,181,603;
5,809,889



Two No. 0056 latches with stainless steel connecting rod. Lower latch is cylinder locking. Rod is 7/8" (22.2 mm) diameter and 37-1/4" (946.2 mm) long. Latch has all the features of No. 0056 latch.

Specifications

Packaging/Weight

1 set per carton/approx. 16 lb (7.3 kg)

Inside Release

For safe operation use with Kason inside release Model "A" series

Product table on next page



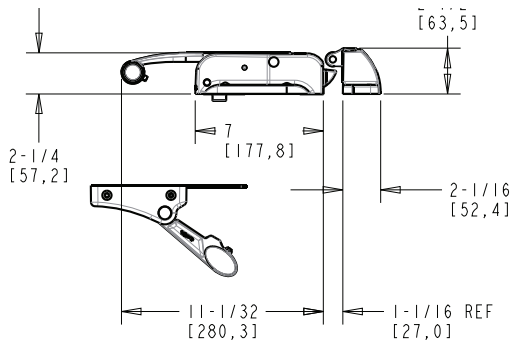
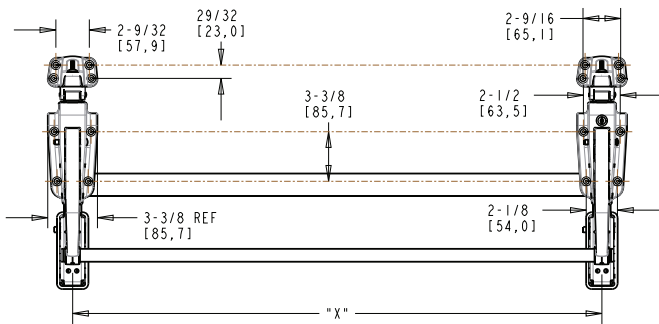
0056 Series Ordering Information

Part No.	Description	Finish
10056CL5020	Cylinder Locking Body, Light Spring	Polished Chrome
10056CL6021	Cylinder Locking Body, Light Spring	Brushed Chrome
10056H05020	Padlocking Body, Heavy Spring	Polished Chrome
10056H06021	Padlocking Body, Heavy Spring	Brushed Chrome
10056L05020	Padlocking Body, Light Spring	Polished Chrome
10056L06021	Padlocking Body, Light Spring	Brushed Chrome

5656 Series Ordering Information

Part No.	Description	Offset	Tube Length	Finish
15656CL3004	Cylinder Locking Two Point Latch	-1/8" to 1/4" (- 3.2 to 6.4 mm)	30" CL to CL	Polished Chrome
15656CL3604	Cylinder Locking Two Point Latch	-1/8" to 1/4" (- 3.2 to 6.4 mm)	36" CL to CL	Polished Chrome
15656CL3605	Cylinder Locking Two Point Latch	-1/8" to 1/4" (- 3.2 to 6.4 mm)	36" CL to CL	Brushed Chrome
15656L30004	Padlocking Two Point Latch	-1/8" to 1/4" (- 3.2 to 6.4 mm)	30" CL to CL	Polished Chrome
15656L36004	Padlocking Two Point Latch	-1/8" to 1/4" (- 3.2 to 6.4 mm)	36" CL to CL	Polished Chrome
15656L36005	Padlocking Two Point Latch	-1/8" to 1/4" (- 3.2 to 6.4 mm)	36" CL to CL	Brushed Chrome
15656L36020	Padlocking Two Point Latch	3/4" to 1-1/2" (19.1 to 38.1 mm)	36" CL to CL	Polished Chrome
15656L36021	Padlocking Two Point Latch	3/4" to 1-1/2" (19.1 to 38.1 mm)	36" CL to CL	Brushed Chrome
*95656004740097	Connecting Tube		36" CL to CL	Stainless Steel

5688 SafeGuard® Two-Point Latch with 0488 Vertical Push Bar Inside Release



- Two 0056 latches connected with stainless steel rod
Note: Rod is 1/2" (12.7 mm) diameter and supplied in 3 different lengths for latch spacing options
- Vertical inside release push bar provides ergonomic operation to open the door
- Bolt-type tongue provides positive locking action
- Proven, heavy-duty construction
- Kason's adjustable strike assures precise adjustment
- Padlocking provision is standard on all models (Cylinder locking is optional)
- Uses [Kason "A" Series 0488AG Inside Release](#) Mechanism to prevent accidental entrapment in locked walk-ins. Inside lever releases cylinder-locked or padlocked door

Specifications

Material

High pressure die-cast Zamak 3 body and strike housing, 300 series stainless steel handle

Finish

Polished Chrome

Mounting

Holes drilled and countersunk for 1/4" (6.4 mm) screws

Inside Release

For safe operation use with Kason model 0488AG

Locking Mechanism

Accepts Master #1 LJ Padlock with 5/16" shank

Part No.	Description	Offset	Tube Length "X"	Finish
15688CL3004	Cylinder Locking Two Point Latch	-1/8" to 1/4" (- 3.2 to 6.4 mm)	30	Polished Chrome
15688CL3604	Cylinder Locking Two Point Latch	-1/8" to 1/4" (- 3.2 to 6.4 mm)	36	Polished Chrome
15688L36004	Padlocking Two Point Latch	-1/8" to 1/4" (- 3.2 to 6.4 mm)	36	Polished Chrome
15688L50020	Padlocking Two Point Latch	3/4" to 1-1/2" (19.1 to 38.1 mm)	50	Polished Chrome

Note: Other finishes, spacing, and cylinder combinations available.

0488AG Walk-In Panic Bar Inside Release

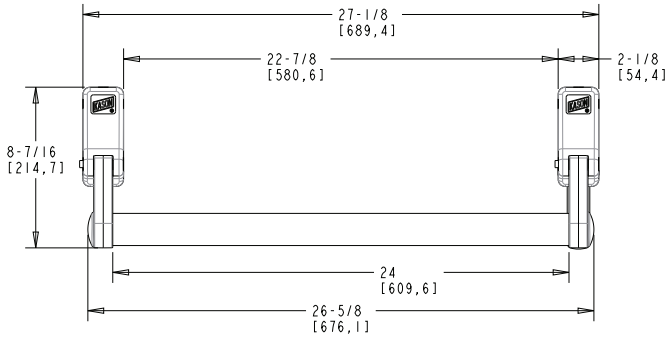


Part No.	Latches	Door Thickness	Rod Length	Qty./Carton
10488AG0317400	5688	4"	8"	1
10488AG0318400	5688	4"	8"	1
10488AG0319400	5688	4"	8"	1

0488 Series Walk-In Push Bar Inside Release (for use with Kason 0056, 5656, 5688, 0058, 0077, 0078, 0778 latches)



U.S. Patent No. 11,193,311



- Large hands-free contact area to open door
- Crossbar design provides simple low-effort operation
- Ergonomic design provides simple low-effort operation
- Stainless steel and aluminum materials
- Accommodates left and right handed doors
- Works with Kason latch models 0056, 5656, 5688, 0058, 0077, 0078, and 0778 (see Mounting)
- Retrofit plate mounting provides secure attachment to walls without backing material in the door

Specifications

Material

Anodized aluminum mounting plates and stainless steel latch cover, die-cast Zamak latch tongue, chrome plated zinc keypad housing, stainless steel inside push handle and strike

Mounting

(3) bolts on 4" thick door (minimum 30" wide door), latch and handle through-bolt with tamper-resistant hardware

For mounting on new doors with structural backing plates (not included), that are also appropriate for 1/4" diameter stainless steel fasteners. Consult Kason Engineering Department for field retrofitting instructions

Mounting of 0488AG is in vertical orientation on door to match the dual latch center-to-center distance

Temperature Range

-40°F to 150°F (-40°C to 65°C)

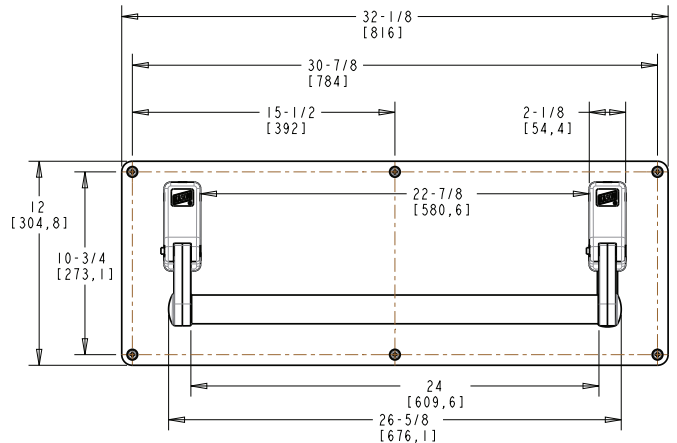
Part No.	Latches	Door Thickness	Rod Length	Qty./ Carton	Wgt./ Carton
10488C00318300	0058, 0077, 0078, 0778	3"	6.46"	1	5.98 lb (2.71 kg)
10488C00318400	0058, 0077, 0078, 0778	4"	7.46"	1	6.04 lb (2.74 kg)
10488C00318500	0058, 0077, 0078, 0778	5"	8.46"	1	6.09 lb (2.76 kg)
10488C00318600	0058, 0077, 0078, 0778	6"	9.46"	1	6.14 lb (2.79 kg)
10488A00318400	0056, 5656	4"	8"	1	6 lb (2.7 kg)
10488AG0317400	5688	4"	8"	1	7.2 lb (3.27 kg)
10488AG0318400	5688	4"	8"	1	7.7 lb (3.49 kg)
10488AG0319400	5688	4"	8"	1	9.2 lb (4.17 kg)

0488CR/0488AR Walk-In Push Bar Inside Release Retrofit Kit



U.S. Patent No. 11,193,311

Part No.	Latches	Door Thickness	Rod Length	Qty./ Carton	Wgt./ Carton
10488CR0318763	0058, 0077, 0078, 0778	4"	7.63"	1	14.84 lb (6.73 kg)
10488CR0318825	0058E	4"	8.25"	1	14.87 lb (6.74 kg)
10488AR0318200	0056	2"	6.25"	1	14.71 lb (6.67 kg)



0481 Safety-Glow Inside Release



- Glow-in-the-dark knob
- ADA Compliant

Specifications

Material

Steel rod and flange; Safety-Glow™ plastic knob

Finish

Kasonized (Zinc plated)

Mounting

Holes drilled for No. 10 (5.0 mm) screws

Packaging

24 per carton

Weight

Approx. 20 lb (9.1 kg) per carton

Temperature Range

-40°F to 150°F (-40°C to 65°C)

0482 Hi-Temp Inside Release



- Provided with steel rod and tough iron knob for high heat applications
- ADA Compliant

Specifications

Material

Steel rod and flange; iron knob

Finish

Kasonized (Zinc plated)

Mounting

Holes drilled for No. 10 (5.0 mm) screws

Packaging

24 per carton

Weight

Approx. 20 lb (9.1 kg) per carton

Temperature Range

-40°F to 500°F (-40°C to 260°C)

0481 Stainless Steel Safety-Glow Inside Release



- Glow-in-the-dark knob
- ADA Compliant

Specifications

Material

Stainless Steel rod and flange; Safety-Glow™ plastic knob

Mounting

Holes drilled for No. 10 (5.0 mm) screws

Packaging

24 per carton

Weight

Approx. 20 lb (9.1 kg) per carton

Temperature Range

-40°F to 150°F (-40°C to 65°C)

0487 Frost-Free Inside Release



- Furnished with low-conduction fiberglass rod for low-temp applications
- ADA Compliant

Specifications

Material

Fiberglass rod and plastic flange; Safety-Glow™ plastic knob

Mounting

Holes drilled for No. 10 (5.0 mm) screws

Packaging

24 per carton

Weight

Approx. 17 lb (7.7 kg) per carton

Temperature Range

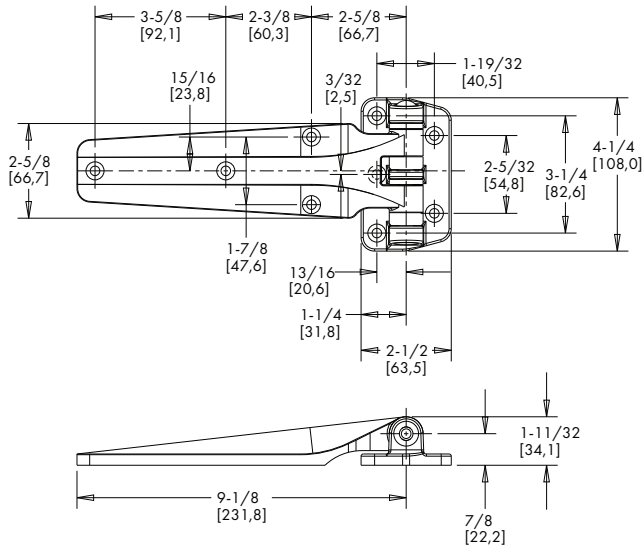
-40°F to 150°F (-40°C to 65°C)



1341 Stainless Steel Double Knuckle Hinge



© U.S. Trademark 2,277,203



- Heavy-duty stainless steel double knuckle non-rise hinge engineered for maximum structural strength
- Ribbed under-side construction reduces weight and ensures rugged no sag dependability
- Durable Type 316 Stainless Steel material eliminates corrosion problems even in the harshest enviroment
- Double through washers provide smoothest operation

Specifications

Strap Length
9" (228.6 mm)

Material
316 series stainless steel with stainless pin and nylon bearings

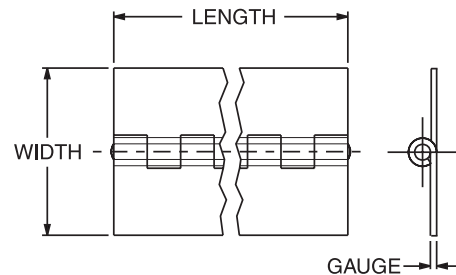
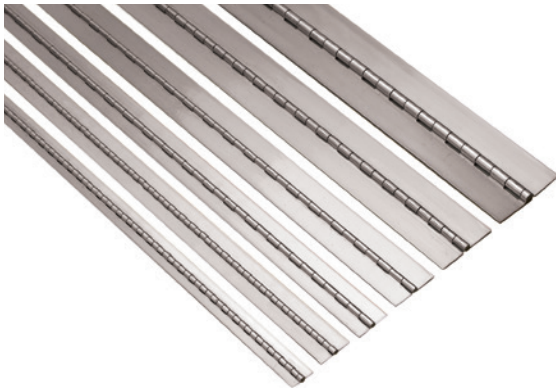
Finish
Satin

Offset
Flush

Mounting
Holes drilled and countersunk for 1/4" (6.0 mm) screws (not included)

Part No.	Description	Qty./Carton	Wgt./Carton
11341000005	Flush, L.H.	8	20 lb (9 kg)
11341000006	Flush, R.H.	8	20 lb (9 kg)

7301 Series Stainless Steel Continuous Hinges



- 18/8 stainless steel hinge with stainless steel pin
- 72" (1829 mm) length
- Furnished without holes

Part No.	Gauge	Width	Pin Dia.	Qty./Carton	Wgt./Carton
67301035075	0.035" (0.9 mm)	3/4" (19 mm)	0.086	20	20 lb (9.1 kg)
67301035106	0.035" (0.9 mm)	1-1/16" (27 mm)	0.086	20	25 lb (11.3 kg)
67301035150	0.035" (0.9 mm)	1-1/2" (38 mm)	0.086	20	32 lb (14.5 kg)
67301040106	0.040" (1.0 mm)	1-1/16" (27 mm)	0.091	20	29 lb (13.2 kg)
67301040150	0.040" (1.0 mm)	1-1/2" (38 mm)	0.091	20	36 lb (16.3 kg)
67301040200	0.040" (1.0 mm)	2" (51 mm)	0.091	20	45 lb (20.4 kg)
67301050200	0.050" (1.3 mm)	2" (51 mm)	0.120	20	55 lb (25.0 kg)
67301060150	0.060" (1.5 mm)	1-1/2" (38 mm)	0.120	20	55 lb (25.0 kg)
67301060200	0.060" (1.5 mm)	2" (51 mm)	0.120	20	66 lb (30.0 kg)
67301060250	0.060" (1.5 mm)	2-1/2" (64 mm)	0.120	20	77 lb (35.0 kg)

Call for other available sizes.

1245 Reversible Cam-Rise Hinges



© U.S. Trademark 2,176,043

- Industry standard self-closing cam-rise hinges
- Door opens with minimum effort
- Strong self-lubricating nylon cam delivers smooth, trouble-free door operation
- Cam-rise action reduces gasket wear, even with irregular floors
- Holds door open beyond 130°
- Doors lift off without disassembly or removing hinges
- Simple manual operation reverses hinges for use on right or left-opening door

1246 Reversible Cam-Rise Hinges



© U.S. Trademarks 2,382,322

- Industry standard self-closing cam-rise hinges
- Door opens with minimum effort
- Strong self-lubricating nylon cam delivers smooth, trouble-free door operation
- Cam-rise action reduces gasket wear, even with irregular floors
- Holds door open beyond 130°
- Doors lift off without disassembly or removing hinges
- Simple manual operation reverses hinges for use on right or left-opening door

1248 Spring Assisted Hinges



© U.S. Trademark 2,415,070

- Spring mechanism adds extra closing force to overcome air resistance on heavy walk-in doors
- Special high-lift cam system outperforms similar spring hinges
- Cam-rise action reduces gasket wear, even with irregular floors
- Built-in dwell holds door open beyond 130°
- Simple manual operation reverses hinges for use on right- or left-opening door

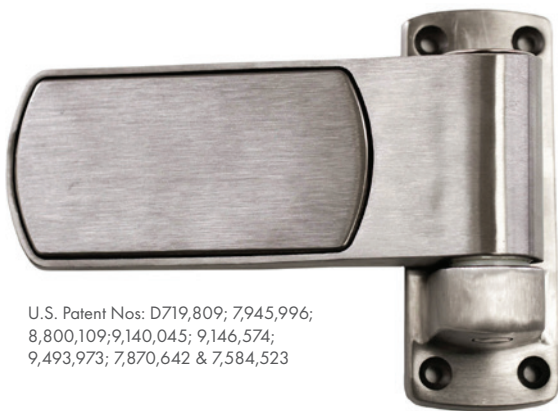
1249 Spring Assisted Hinges



© U.S. Trademarks 2,415,066

- Spring mechanism adds extra closing force to overcome air resistance on heavy walk-in doors
- Special high-lift cam system outperforms similar spring hinges
- Cam-rise action reduces gasket wear, even with irregular floors
- Built-in dwell holds door open beyond 130°
- Simple manual operation reverses hinges for use on right- or left-opening door





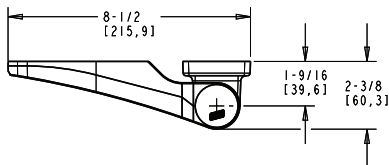
U.S. Patent Nos: D719,809; 7,945,996;
8,800,109; 9,140,045; 9,146,574;
9,493,973; 7,870,642 & 7,584,523



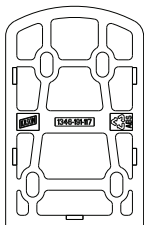
Easily adjusted by one person, open door to make adjustments. [1346 Adjustment Video](#)

- Stainless steel offers increased durability
- Strap adjusts horizontally, providing door lift and rotation to compensate for sag over time
- Built-in spring action is standard
- Time-tested cam-rise technology assists closing and reduces gasket wear, even with uneven floors. 1346S has 40% more rise than traditional on-rise hinges to magnify the benefit
- Flange has a removable cap, allowing lift-off of door without removing hinges
- Left and right hand hinges use the same component parts for faster mounting and replacement
- Covers mount securely over hinge mechanism to keep out dirt and debris
- Performer 1346S meets NSF/ANSI Standard 2 for food equipment components
- Spacer shims available for strap and flange to maintain alignment of pivot centerlines when kick plates are used under the lower hinges. Proper pivot alignment eliminates binding and unwanted hinge wear and tear

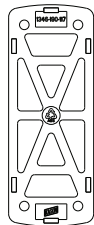
Flush



Strap Spacer



Flange Spacer



Specifications

Material

Stainless steel flange with nylon cam, stainless steel strap, stainless steel or elastomer insert cover, stainless steel internal plate and bolt

Finish

Satin with black accents.

Adjustment

Each strap adjusts $\pm 1/8$ " to provide $1/4$ "+ height adjustment. To adjust, loosen main clamping bolts, jack door using micro adjustment screw and tighten clamping bolts

Packaging

4 each

Mounting

Drilled for $1/4$ " (6 mm) screws

Part No.	Description	Base Style	Offset	Cover Style	Finish	Qty./Carton	Wgt./Carton
11346SOW)(X)(Y)(Z)	Adjustable Hinge	See "W" Options In Table Below	See "X" Options In Table Below	See "Y" Options In Table Below	See "Z" Options In Table Below	4	See X Options in Table Below

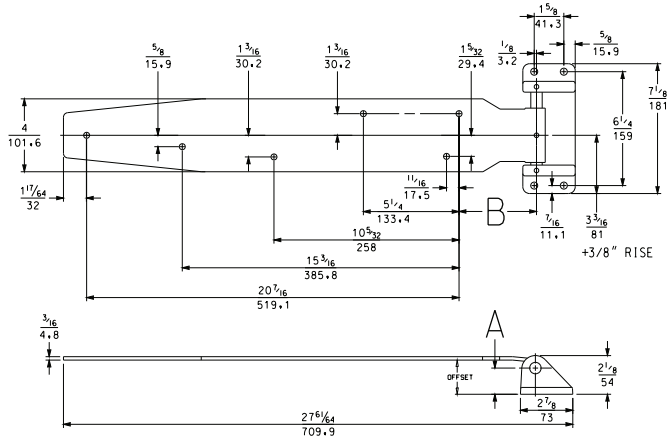
Base	Offset	Cover	Finish
W = 0 Light Spring	X = 0 14 lb (6.356 kg)	Y = 0 Diamond Cover	Z = 5 Satin
1 Heavy Spring	17 lb (7.718 kg)	1 Brushed	

Part No.	Description
11346S00015	Flush Stainless Steel Hinge, Satin, Stainless Steel Cover
11346S00005	Flush Stainless Steel Hinge, Satin, Black Diamond Cover
91346001040095	Adjustment Bracket & Screw, Stainless Steel
11346001630097	Spring, Stainless Steel Compression
11346001380093	Stainless Steel Washer, 3/8 x 3/4 x 1/16"



1377L/ 1377S Stainless Steel Self-Closing Hinges

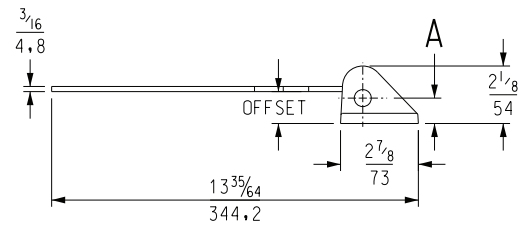
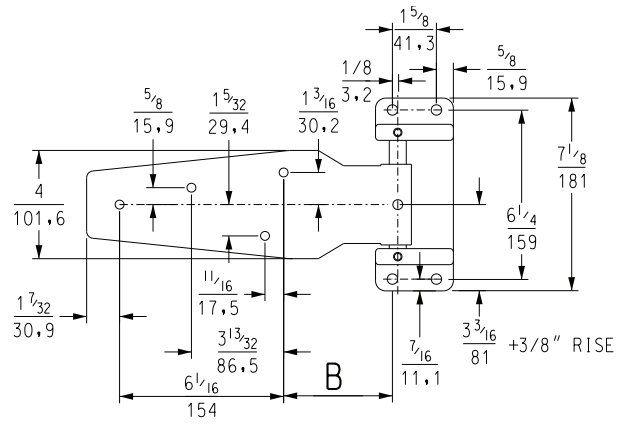
1377L (Long)



- 316 stainless steel strap and flange, satin finish
- Self-closing, cam-rise hinge is extra rugged for challenging applications
- Precision-machined stainless steel cams gently raise and lower large doors
- Cam action assures effortless opening and less gasket wear
- Strap reverses for right or left-opening door without disassembly
- No dwell

Part No.	Offset	"A"	"B" (Approx.)	Strap Length
11377L00004	Flush (0.0mm)	15/16" (23.8 mm)	3-31/32" (100.8 mm)	
11377L00008	1-1/8" (29 mm)	15/16" (23.8 mm)	4-3/32" (104 mm)	
11377L00010	1-1/4" (32 mm)	15/16" (23.8 mm)	4-1/8" (104.8 mm)	
11377L00012	1-3/8" (35 mm)	15/16" (23.8 mm)	4-3/32" (104 mm)	26" (685.8 mm)
11377L00014	1-1/2" (38 mm)	1-5/16" (33.3 mm)	4-3/32" (104 mm)	
11377L00016	1-5/8" (41 mm)	1-5/16" (33.3 mm)	4-1/8" (104.8 mm)	
11377L00018	1-3/4" (45 mm)	1-5/16" (33.3 mm)	4-3/32" (104 mm)	
11377S00004	Flush (0.0 mm)	15/16" (23.8 mm)	3-31/32" (100.8 mm)	
11377S00008	1-1/8" (29 mm)	15/16" (23.8 mm)	4-3/32" (104 mm)	
11377S00010	1-1/4" (32 mm)	15/16" (23.8 mm)	4-1/8" (104.8 mm)	
11377S00012	1-3/8" (35 mm)	15/16" (23.8 mm)	4-3/32" (104 mm)	11-5/8" (293.7 mm)
11377S00014	1-1/2" (38 mm)	1-5/16" (33.3 mm)	4-3/32" (104 mm)	
11377S00016	1-5/8" (41 mm)	1-5/16" (33.3 mm)	4-1/8" (104.8 mm)	
11377S00018	1-3/4" (45 mm)	1-5/16" (33.3 mm)	4-3/32" (104 mm)	

1377S (Short)



Specifications

Material

Polished #316 Series stainless steel flange, 3/16" (5mm) thick strap and 5/8" (16mm) diameter cam pins

Strap Length

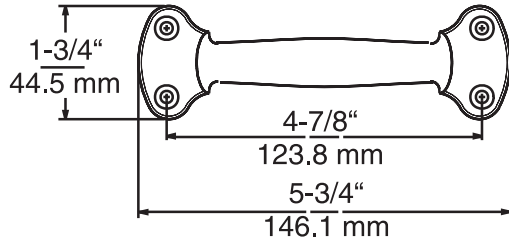
See table at Left

Packaging

4 each

Mounting

Drilled for 3/8" (9.5 mm) screws



Specifications

Material

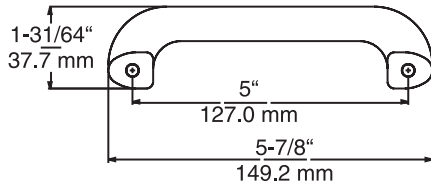
High Pressure die cast zinc with polished chrome finish

Mounting Holes

4-1/2" (114.3 mm) O.C. Drilled and countersunk for No. 8 (4.0 mm) screws

Part No.	Description	Qty./Carton	Wgt./Carton
10382000004	Classic Pull Handle	100	25 lb (11.3 kg)

0573 Offset Pull



Specifications

Material

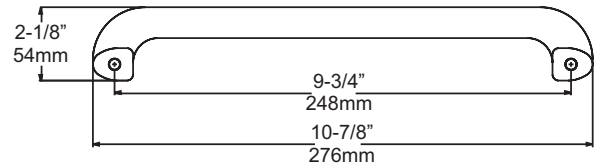
High Pressure die cast zinc with polished chrome finish

Mounting Holes

5" (127mm) O.C., Drilled and tapped for 1/4- 20 screws

Part No.	Description	Qty./Carton	Wgt./Carton
10573000004	Offset Pull Handle	144	55.1 lb (25 kg)

0578 Offset Pull



Specifications

Material

High Pressure die cast zinc with polished chrome finish

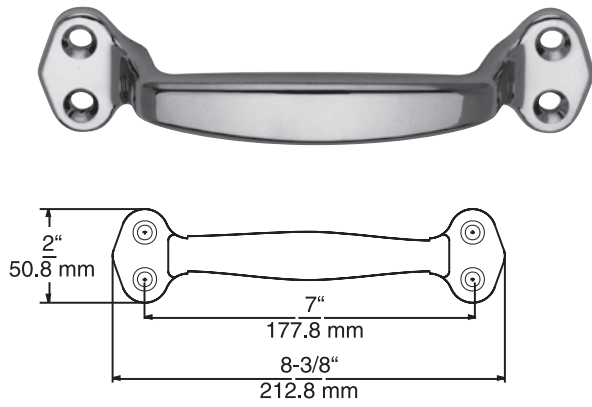
Mounting Holes

9-3/4" (247.7 mm) O.C., Drilled and tapped for 5/16-18 screws

Part No.	Description	Qty./Carton	Wgt./Carton
10578000004	Large Offset Pull Handle	50	52.4 lb (23.8 kg)



5001 Heavy-Duty Pull



Specifications

Material

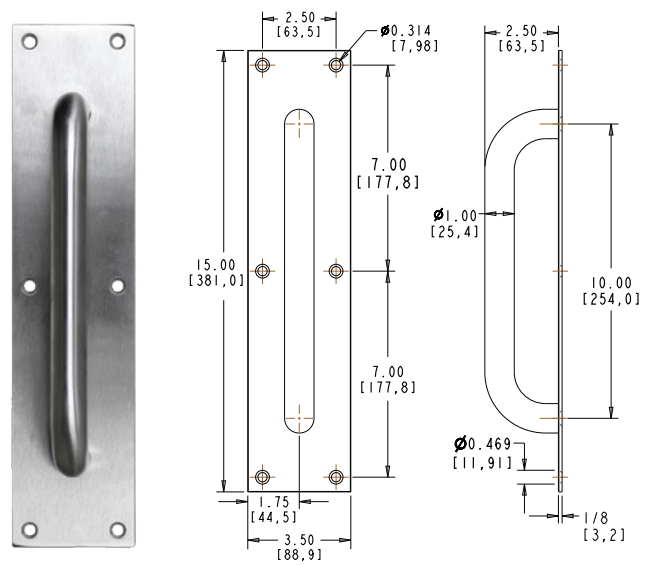
High Pressure die cast zinc with polished chrome finish

Mounting Holes

Drilled and countersunk for 1/4" (6.0 mm) screws

Part No.	Description	Qty./ Carton	Wgt./ Carton
15001 SP0004	HD Pull Handle	50	44 lb (20 kg)

7808 Handle with Mounting Plate



Specifications

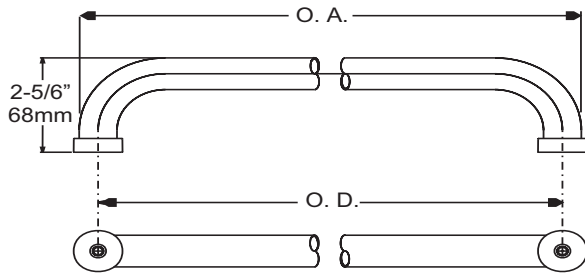
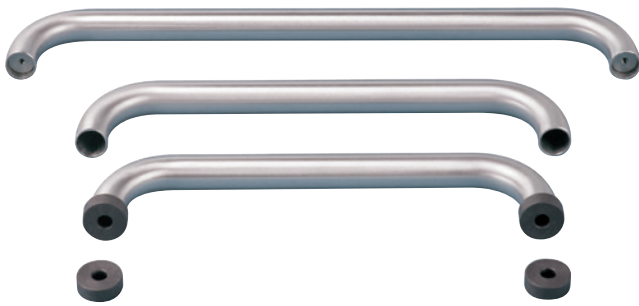
Material

304 stainless steel with satin finish

Part No.	Description	Qty./ Carton	Wgt./ Carton
67808000202	Handle with Mounting Plate	1	2.5 lb (1.13 kg)



7308 Series Heavy-Duty Stainless Steel Handles



- Available with or without heat-resistant, glass reinforced, polyester resin insulators
- Custom lengths available

Specifications

Material

7/8" (22.2 mm), #304 stainless steel 16 gauge tubing

Finish

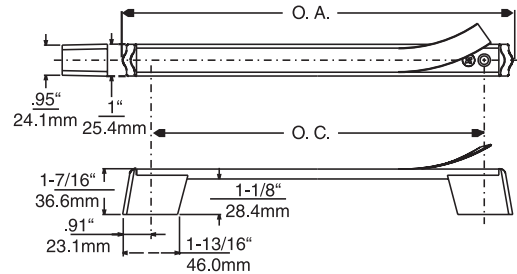
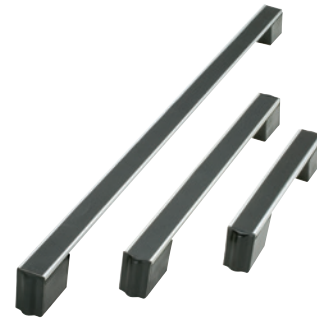
No. 4 satin

Mounting Holes

1/4-20 threaded screw holes

Part No.	Description	Length	Qty./ Carton	Wgt./ Carton
67308000003	Handle Only	11-5/8" (295 mm) O.A., 13/4" (273 mm) O.C.	24	15.8 lb (7.2 kg)
67308000004	Handle w/ Insulators	11-5/8" (295 mm) O. A., 13/4" (273 mm) O.C.	24	16.3 lb (7.4 kg)
67308000005	Handle Only	12-7/8" (327 mm) O.A., 12" (305 mm) O.C.	24	16.1 lb (7.3 kg)
67308000006	Handle w/ Insulators	12-7/8" (327 mm) O.A., 12" (305 mm) O.C.	24	16.6 lb (7.5 kg)
67308000007	Handle Only	18-7/8" (479 mm) O.A., 18" (457 mm) O.C.	24	22.4 lb (10.2 kg)
67308000008	Handle w/ Insulators	18-7/8" (479 mm) O.A., 18" (457 mm) O.C.	24	22.4 lb (10.2 kg)
67308000010	Stand-off Insulator	N/A	48	4.8 lb (2.2 kg)

0915 Series Decorator Handles



- Heat-resistant, heavy-duty construction
- Black vinyl insert conceals screw holes
- Styling complements Kason hinges
- Front-mount and dual-mount models

Specifications

Material

Aluminum handle with clear anodized dip, black glass heat-resistant nylon bases and flexible vinyl insert. Dual-mount model has threaded bushings for rear mounting

Mounting Holes

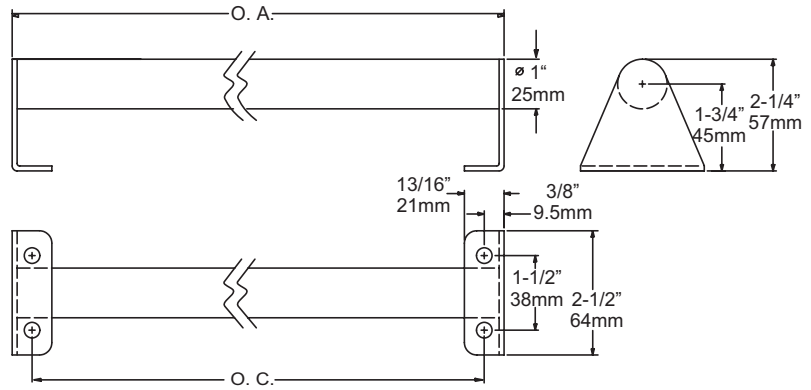
Accepts No. 10-32 x 1-3/4" flat head screws and No. 10-32 hex jam nut

Part No.	Description	Length	Qty./ Carton	Wgt./ Carton
60915000004	Front Mount	12-7/8" (327 mm) O.A., 15/8" (270 mm) O.C.	50	23 lb (10.4 kg)
60915000005	Dual Mount	12-7/8" (327 mm) O.A., 15/8" (270 mm) O.C.	50	25 lb (11.4 kg)
60915000006	Front Mount Steel Screws	7-13/16" (198 mm) O.A., 6" (127 mm) O.C.	50	13.5 lb (6.1 kg)

Note: Additional sizes available upon request.



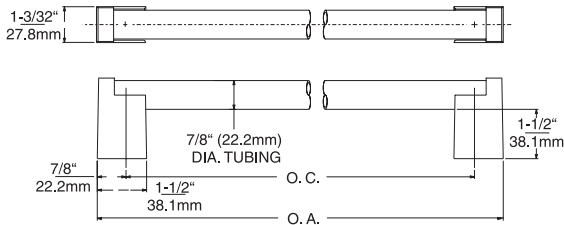
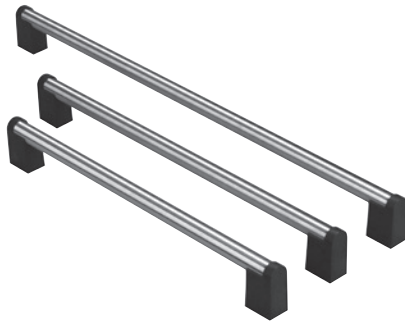
0916 Series Heavy-Duty Stainless Steel Handles



- #304 stainless steel with #4 satin finish tubing and brackets
- 16 GA x 1" (25 mm) diameter tubing
- 5/16" (8 mm) mounting holes
- Custom lengths available

Part No.	Length	Qty./Carton	Wgt./Carton
60916002087	20-7/8" (530 mm) O.A.; 20-1/8" (511 mm) O.C.	16	22.7 lb (10.3 kg)
60916002656	26-9/16" (675 mm) O.A.; 25-13/16" (656 mm) O.C.	16	27.7 lb (12.6 kg)

7321 Series Stainless Steel Handles



- Heavy-duty, stainless steel tubing
- Insulating standoffs are heat-resistant to 400°F (204.4°C)
- Through-mounting assures maximum strength
- Three standard sizes
- Easy-grip, streamlined design
- Custom lengths available (6" minimum)

Specifications

Material

7/8" (22.2 mm) #304 stainless steel 16 gauge; glass reinforced, polyester resin insulators

Finish

No. 4 satin

Mounting Holes

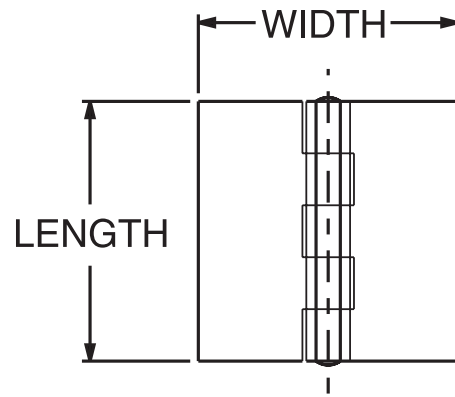
1/4-20 threaded screw holes

Part No.	Length	Qty./Carton	Wgt./Carton
673210000041637	17-7/8" (454 mm) O.A.; 16-3/8" (416 mm) O.C.	12	10.0 lb (4.5 kg)
673210000041887	20-3/8" (518 mm) O.A.; 18-7/8" (480 mm) O.C.	12	11.2 lb (5.1 kg)
673210000042637	27-7/8" (708 mm) O.A.; 26-3/8" (670 mm) O.C.	24	31.0 lb (14.1 kg)



0916

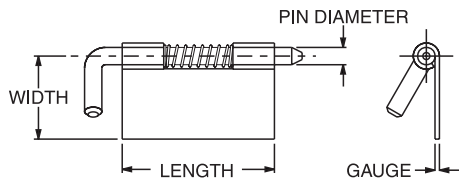
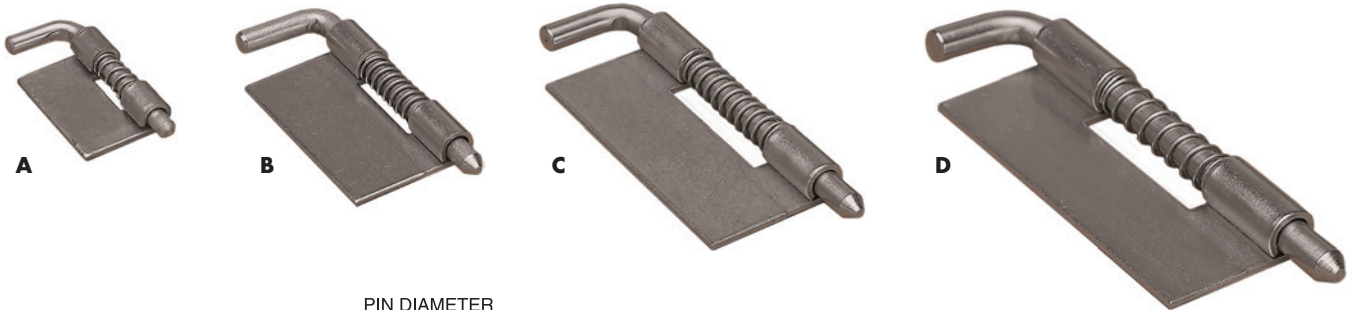
7303 Series Stainless Steel Butt Hinges



- 0.075" (2 mm) thick
- 0.187" (5 mm) pin diameter

Part No.	Width/Open	Length	Qty./Carton	Wgt./Carton
67303000004	2" (51 mm)	2" (51 mm)	20	2.8 lb (1.3 kg)
67303000008	3" (76 mm)	3" (76 mm)	20	5.6 lb (2.5 kg)

7304 Stainless Steel Latch Hinges



Ref.	Part No.	Gauge	Width	Length	Pin Dia.	Qty./Carton	Wgt./Carton
A	67304000004 67304L00004	0.040" (1.0 mm)	1/2" (13mm)	7/8" (22 mm)	1/8" (3.2 mm)	20	0.2 lb (0.1 kg)
B	67304000006 67304L00006	0.040" (1.0 mm)	3/4" (19mm)	1-3/8" (35 mm)	5/32" (4.0 mm)	20	0.5 lb (0.2 kg)
C	67304000008 67304L00008	0.050" (1.3 mm)	7/8" (22 mm)	2" (51 mm)	3/16" (4.8 mm)	20	1.2 lb (0.5 kg)
D	67304000010 67304L00010	0.062" (1.6 mm)	1" (25 mm)	2-3/4" (70 mm)	1/4" (6.4 mm)	20	2.4 lb (1.1 kg)

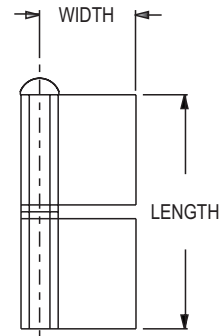
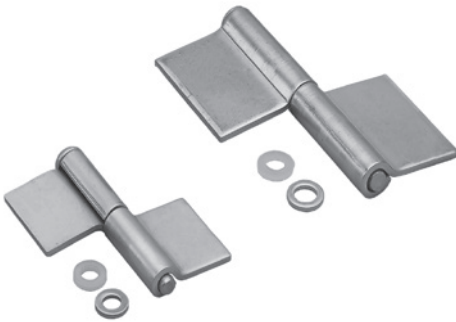
7306 Series Stainless Steel Lift-Off Hinges



0.075" (2 mm) thick

Part No.	Description	Width	Length	Qty./ Carton	Wgt./ Carton
67306L00003	Left Opening	1-1/4" (31.75 mm)	2" (51 mm)	12	1.0 lb (0.5 kg)
67306R00003	Right Opening	1-1/4" (31.75 mm)	2" (51 mm)	12	1.0 lb (0.5 kg)
67306L00004	Left Opening	1-3/4" (44.5 mm)	2" (51 mm)	12	1.0 lb (0.5 kg)
67306R00004	Right Opening	1-3/4" (44.5 mm)	2" (51 mm)	12	1.0 lb (0.5 kg)
67306L00006	Left Opening	2" (51 mm)	3" (76 mm)	12	2.2 lb (1.0 kg)
67306R00006	Right Opening	2" (51 mm)	3" (76 mm)	12	2.2 lb (1.0 kg)
67306L00303	Left Opening	3" (76 mm)	3" (76 mm)	12	
67306R00303	Right Opening	3" (76 mm)	3" (76 mm)	12	

7307 Series Stainless Steel Lift-Off Flag Hinges



- Stainless steel and nylon bearing
- 0.075" (2 mm) thick
- Right or left-hand application
- Swedged knuckle
- No mortising of door or jamb
- Minimum door clearance needed

Part No.	Width	Length	Pin Diameter	Qty./ Carton	Wgt./ Carton
67307000004	7/8" (22 mm)	2-1/8" (54 mm)	3/16" (5 mm)	100	8.0 (3.6 kg)
67307000006	1-5/32" (28 mm)	3-1/8" (79 mm)	1/4" (6 mm)	100	18 lb (8.2 kg)



COMPONENT

7306

3700 Series Rubbaseal™ Silicone Sealant



- For Hi-temp and Lo-temp foodservice uses
- Premium grade, fully certified silicone adhesive sealant outperforms cheap hardware store brands
- Waterproof adhesive bonds better than generic sealants; won't peel; reduces service call-backs for leaks
- Air-cures overnight; tack-free in 15 minutes
- Standard and high temperature formulas
- Meets Federal and NSF standards for foodservice use

Easy-to-Use

- Will not sag during vertical, horizontal or overhead application
- 10 oz. one-piece plastic tube (non-removable tip)
- 3 oz. tube is ideal for small jobs and tight spaces. Special order with MOQ requirements
- Fits standard caulk guns

Temperature Range

- Standard formula is serviceable from -80°F to 400°F (-62°C to 204°C)
- High temperature formula is heat resistant to 500°F (260°C)

Part No.	Tube Size	Color	Max. Temp. (°F)	Qty./Carton	Wgt./Carton
63700000001	10.1 oz (299 ml)	Clear	400	12	10 lb (5 kg)
63700000002	10.1 oz (299 ml)	White	400	12	10 lb (5 kg)
63700000003	10.1 oz (299 ml)	Aluminum	400	12	10 lb (5 kg)
63700000004	10.1 oz (299 ml)	Black	400	12	10 lb (5 kg)
63700000005	10.1 oz (299 ml)	Red (Hi-Temp)	500	12	10 lb (5 kg)

NSF listed STD 051 for Food Zone Use. All Foods. Authorized by USDA for use in Federally inspected meat and poultry plants.

When cured and washed, sealant meets requirement of FDA regulation No. 21 CFR 177.2600. Meets the following: U.S. FED.TTS-00230C, TTS-001543A, ASTM C920-79 and Canadian CGSB-19-GP-9MA Type 1. UL Recognized, File No. E175317.

3701 Series Butyl Sealant



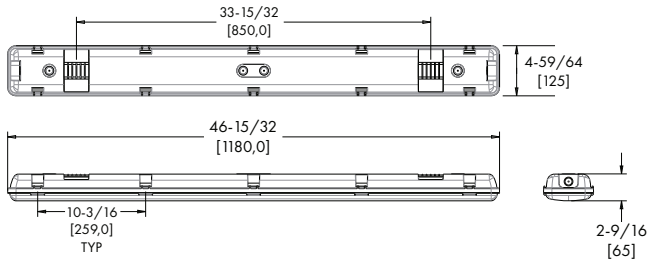
- For Hi-temp and Lo-temp foodservice uses
- Premium grade butyl based sealant is permanently flexible and non-skinning
- Moisture resistant, non-skinning and paintable
- Permanently elastic even when exposed to -60°F to 200°F temperatures
- Made in America
- Has a 50-year durability guarantee

Part No.	Tube Size	Color	Max. Temp. (°F)	Qty./Carton	Wgt./Carton
63701000004	10.3 oz (304 ml)	Gray	200	30	10 lb (5 kg)
63701000005	10.3 oz (304 ml)	White	200	12	10 lb (5 kg)



3700

1810LCT400 LED Fixture Light



- Dimmable energy-efficient lighting
- Surface mounting brackets
- Extremely durable polycarbonate housing and lens
- Designed for walk-in coolers and/or freezers
- Operating temp -40°F to 104°F (-40°C to 40°C)
- Rated 50,000+ hours of life

Part No.	Description	Wgt./Carton
11810LCT400	LED Fixture	5.46 lb (2.48 kg)
11810LCT400MX	Luminaria 4-pies LED	5.46 lb (2.48 kg)
91810LCT357	Tamper-Resistant Screw Kit (Qty. 10)	

Specifications

Material

Diffuser: Frosted UL approved UL94-HB rated, PC
Housing: Gray UL approved UL94-5VA rated, PC
LED tray: White painted steel

Size

Nominal Overall Dimensions:
46-15/32" L x 4-59/64" W x 2-9/16" H (1180 x 125 x 65 mm)

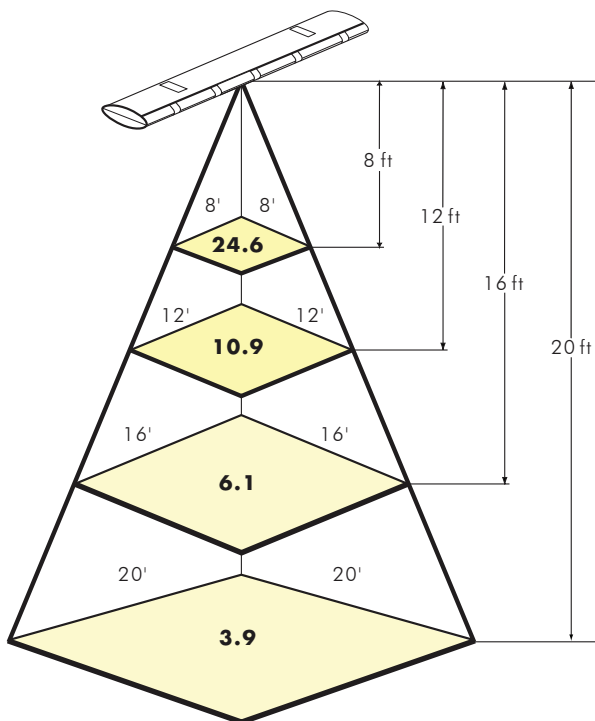
Electrical

Volts: 120-277 V
Frequency: 50/60 Hz
Watts: 40 W
Amps: 0.35 A @120 V
Power Factor: > 0.9
CRI: 85
Output: 4990 Lumens
120 Lumens/Watt
Dimming: 0-10 V
Color Temperature: 4000K

Certifications

UL approved for wet location
NSF listed component
IP-65

1810LCT400 LED Fixture Light Distribution



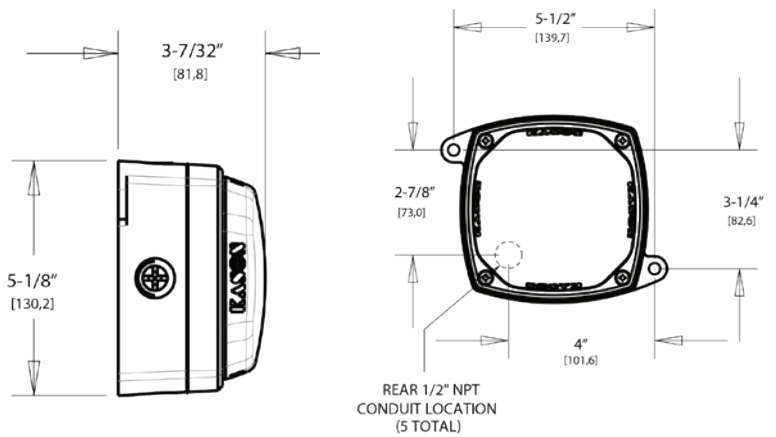
Height (in feet)	Average FC for Single Fixture Over Indicated Area			
	8' x 8'	12' x 12'	16' x 16'	20' x 20'
5	33.7	18.6	11.8	8.2
8	24.6	14.4	9.6	6.8
9	-	13.4	9.0	6.5
12	-	10.9	7.5	5.5
13	-	-	7.1	5.3
16	-	-	6.1	4.6
17	-	-	-	4.4
20	-	-	-	3.9



GreenGuard®



U.S. Patent No. 8,950,893; 9,546,782 and D-759,285

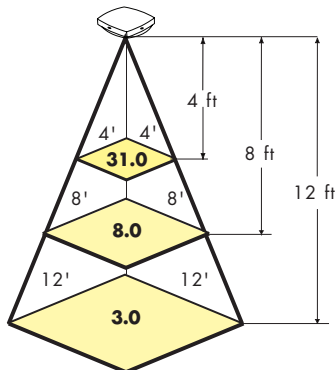


- Low profile high-impact Lexan lens with anti-glare technology
- Preferred fixture for replacing inefficient lighting
- Designed to reduce electrical usage by 85%
- Minimal heat generation will lower utility cost
- Exceed Federal Energy Act requirements
- Rated for 50,000+ hours of life
- 4000K color temperature
- Designed for damp/wet/cooler/freezer environments
- 5-year limited warranty on the light engine
- LM-79 tested

Part No.	Description	Qty./Carton	Wgt./Carton
1180800A100	LED Fixture, 12 W, VP, 120 V	12	2.1 lb (0.95 kg)
1180800A200	LED Fixture, 14 W, VP, 240 V	12	2.1 lb (0.95 kg)
91808000357	Tamper-Resistant Screw Kit		
918080A1588	12 W, 120 V, Replacement Module		

1808 LED Light Distribution

Height (in feet)	Average FC for Single Fixture Over Indicated Area	
	8' x 8'	12' x 12'
5	11.0	6.0
8	8.0	5.0
9	-	4.0
12	-	3.0



Specifications

Material

Lexan lens, aluminum housing

Electrical

Input: 120 V
 Frequency: 50/60 Hz
 Watts: 12 W
 92 Lumens/Watt
 Amps: 0.11 Amps @ 120 V
 Power Factor: >0.9,
 CRI: >80
 Output: 1194 Lumens
 92 Lumens/Watt

Temperature Ratings

-40°F to 104°F (-40°C to 40°C)

Mounting

Surface mount

Safety Standards

RoHS, UL listed US and Canada, File No. E333932, NSF Listed, IP-65

Prison Package

Tamper-resistant fastener kit option available

1802LG with 1802-2 Wire Guard/1803LG/1804LG

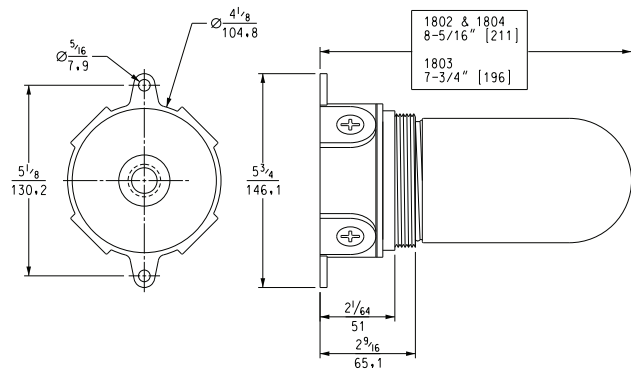
1802LG with Glass Globe (100 W max)
1802-2 Wire Guard (sold separately)



1804LG Glass/Coated Globe (100 W max)



1803LG with Lexan Globe (75 W max)



- Economical Vaporproof fixtures for walk-in coolers and freezers
- Fully gasketed and enclosed to minimize effects of temperature extremes
- Junction box has two tabs for surface mounting
- Base tapped on four sides and bottom to accept standard 1/2" (12.7 mm) conduit
- Four threaded plugs provided to seal unused conduit openings
- Ground screw provided

Specifications

Material

Cast aluminum box, housing and plugs; chrome-plated steel wire guard.

Mounting

Surface mounts; drilled for two mounting screws. Five conduit ports accept 1/2" pipe thread (3/4" thread special order).

UL Listing

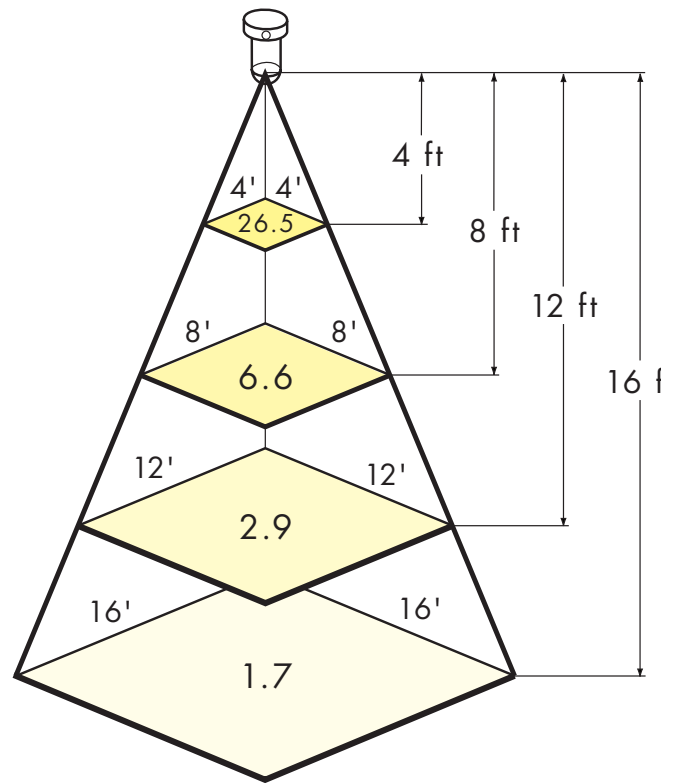
File No. E57013

Part No.	Description	Lamp Accepted (not included)	Qty./Carton	Wgt./Carton
11802000001	Glass Globe	-	25	24 lb (10.9 kg)
11802000002	Wire Guard Chrome	-	50	22 lb (10 kg)
11802000003	Junction Box	100 W Max	25	25 lb (11.3 kg)
11802LG0000	Vaporproof Fixture with Glass Globe	100 W Max	25	69 lb (31.3 kg)
11803000001	Lexan Globe	-	25	6 lb (2.7 kg)
11803000003	Junction Box	75 W Max	25	25 lb (11.3 kg)
11803LG0000	Vaporproof Fixture with Lexan Globe	75 W Max	25	37 lb (16.7 kg)
11804000001	Glass Globe	-	25	24 lb (10.9 kg)
11804LG0000	Vaporproof Fixture with Coated Globe	100 W Max	25	69 lb (31.3 kg)



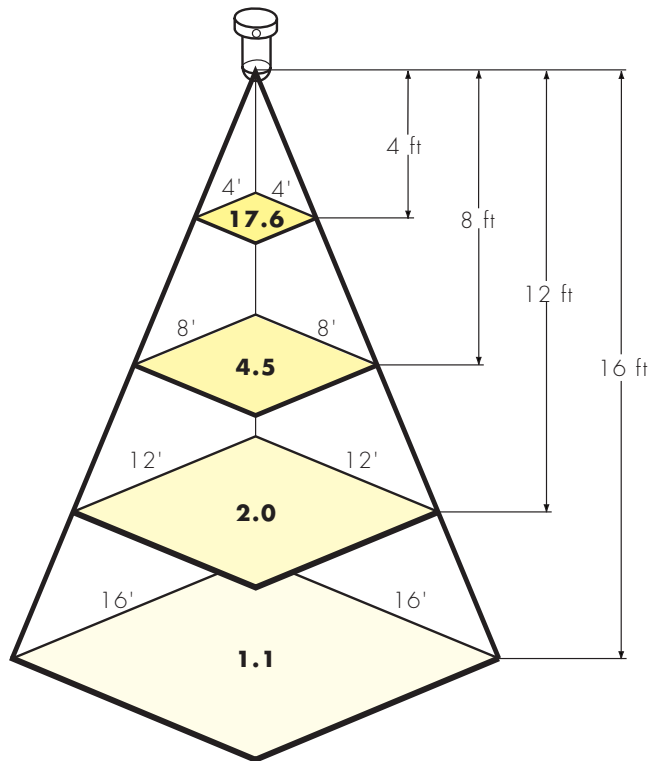
Light Distribution for 1802 & 1804

Height (in feet)	Average Ft. Candles for Single Fixture Over Indicated Area				
	4' x 4'	8' x 8'	12' x 12'	16' x 16'	20' x 20'
4	21.3	15.8	11.7	8.9	7.0
5	14.4	11.5	9.0	7.1	5.7
6	10.3	8.7	7.1	5.8	4.8
7	7.8	6.8	5.7	4.8	4.0
8	6.0	5.4	4.7	4.0	3.4
9	4.8	4.4	3.9	3.4	3.0
10	3.9	3.6	3.3	2.9	2.6
11	3.3	3.1	2.8	2.5	2.2
12	2.7	2.6	2.4	2.2	2.0
13	2.4	2.2	2.1	1.9	1.8
14	2.0	2.0	1.8	1.7	1.6
15	1.8	1.7	1.6	1.5	1.4
16	1.6	1.5	1.4	1.4	1.3
17	1.4	1.3	1.3	1.2	1.1
18	1.2	1.2	1.2	1.1	1.0
19	1.1	1.1	1.0	1.0	1.0
20	1.0	1.0	1.0	0.9	0.9



Light Distribution for 1803

Height (in feet)	Average Ft. Candles for Single Fixture Over Indicated Area				
	4' x 4'	8' x 8'	12' x 12'	16' x 16'	20' x 20'
4	17.6	31.1	9.7	7.4	5.8
5	11.9	9.5	7.4	5.9	4.7
6	8.5	7.2	5.9	4.8	3.9
7	6.4	5.6	4.7	3.9	3.3
8	5.0	4.5	3.9	3.3	2.8
9	4.0	3.6	3.2	2.8	2.4
10	3.2	3.0	2.7	2.4	2.1
11	2.7	2.5	2.3	2.1	1.9
12	2.3	2.2	2.0	1.8	1.6
13	1.9	1.9	1.7	1.6	1.5
14	1.7	1.6	1.5	1.4	1.3
15	1.5	1.4	1.3	1.3	1.2
16	1.3	1.3	1.2	1.1	1.0
17	1.1	1.1	1.1	1.0	0.9
18	1.0	1.0	1.0	0.9	0.9
19	0.9	0.9	0.9	0.8	0.8
20	0.8	0.8	0.8	0.8	0.7





It's Better with Kason.

kasonind.com | 1.800.935.2766