

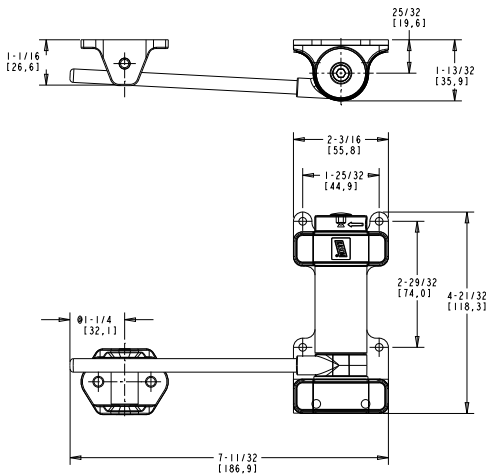
1096L/M Adjustable Door Closer

Part Number: 11096L00004 / 11096M00004

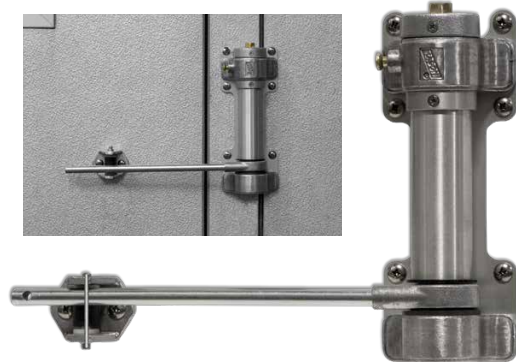
1096L



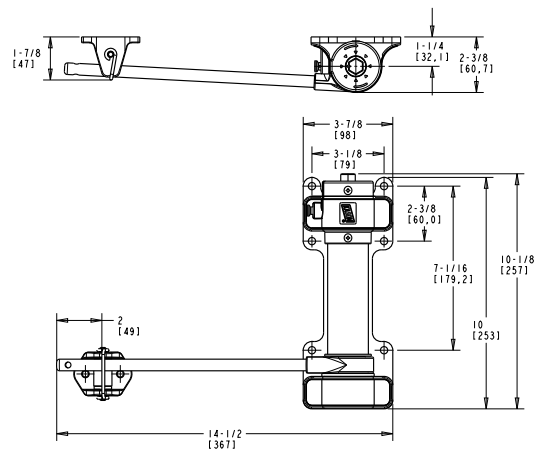
Patent Pending



1096M



U.S. Patent No. D-869,128;
10,280,669; 10,711,498



FEATURES

- Provides closing assistance for hard to close doors
- Accommodates left and right handed doors
- Designed to work with cam rise hinges and fixed pivot hinges
- Aluminum body construction offers improved corrosion resistance
- Torque adjusting feature allows incremental adjustment using a 3/16" wrench (1096L) or 5/8" wrench (1096M)
- Torque arm pivots on a central shaft with nylon bushings to provide smooth, quiet transmission of torque
- (1096M) Torque-limiting clutch protects against over torquing the torsion spring
- (1096M) Roller strike capture wire form retains power arm for safe operation

SPECIFICATIONS

1096L

- (2) torque settings
- Maximum torque 35 in-lb

Materials

- Mounting plate: Aluminum
- Housing: Cast aluminum
- Springs: Steel
- Roller: Nylon
- Roller Guide: Cast aluminum
- Hardware: Stainless steel
- Torque adjuster: Cast aluminum

1096M

- (9) torque settings
- Maximum torque 132 in-lb

Materials

- Mounting plate: Aluminum
- Housing: Cast aluminum
- Springs: Steel
- Roller: Nylon
- Roller Guide: Cast aluminum
- Hardware: Stainless steel
- Clutch: Aluminum bronze alloy
- Indexing Pin: Alum. bronze alloy
- Tube: Aluminum

Part No.	Description
11096L00004	Adjustable Door Closer for Walk-In Cooler or Freezer, Door Width 30" to 36"
11096M00004	Adjustable Door Closer for Walk-In Cooler or Freezer, Door Width 36" to 60"
11096M00024	Through Bolt Mounting Kit – 4" Wall

1096L/M Adjustable Door Closer

Part Number: 11096L00004/11096M00004



1096L



1096M



1097

General Purpose	Overcoming the dwell position of walk-in doors with cam rise or spring hinges, so door will not stand open and always self closes, or door closing momentum for small reach-in doors and gates	Door closing momentum for small, medium and large walk-in doors	Door closing momentum for large and very heavy doors only
Door Size	Up to 3' (w) x 8' (h) walk-in doors, or gates and reach-in doors of smaller size	Approx. Range (width x height): 3' x 7' up to 6' x 10'	Approx. Range (width x height): 5' x 7' up to 8' x 10'
Offset Limits	Flush to 1-1/8"	Flush to 2"	Flush to 1-5/8"
Door Weight	10 to 75 lb	50 to 250 lb	200 to 400 lb
Max Torque	35 in-lb	132 in-lb	348 in-lb
Max Force by Arm	7 lb	11 lb	18 lb

Note: Visit kasonind.com to find information on all Kason door closers.