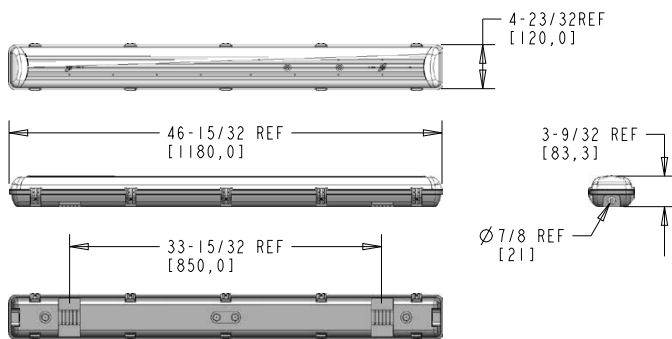


1810LC4000-B LED Fixture with 90-Minute Battery Backup

Part Number: 11810LC4000-B



MATERIALS

- Housing: High-impact polycarbonate
- Latches: Plastic/Polycarbonate

POWER

- Watts: 40 W
- Volts: 120-277 V
- Amps: 0.4 A @120 VAC
- PF: > 0.9

Lumen Output

- 4650 lumens
- 116 Lumens/Watt
- Color Temperature: 4000k
- CRI: 84

SIZE

- Nominal Overall Dimensions:
46-15/32" L x 4-23/32" W x 3-9/32" H
(1180 x 120 x 83,3 mm)

Certifications

- UL approved for wet location
- NSF listed component
- IP-65

- **90-minute battery backup for walk-ins down to 32°F (0°C)**
- **4650 lumens enables less fixtures to achieve desired light level**
- **No ultraviolet emission**
- **Mercury free, LM-79 tested**
- **High-impact resistant polycarbonate enclosure**
- **Pre-installed Surface Mount LED Strips**
- **Easy retrofit for old lighting**
- **Rated 50,000 hour life**
- **1-year limited warranty**

GreenGuard®

