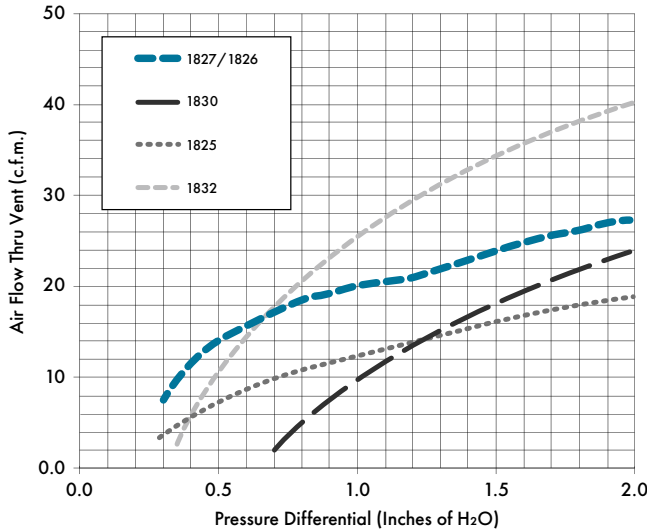


1827 Intelli-Vent® Telescoping Heated Pressure Relief Port

Part Number: 11827000004/6

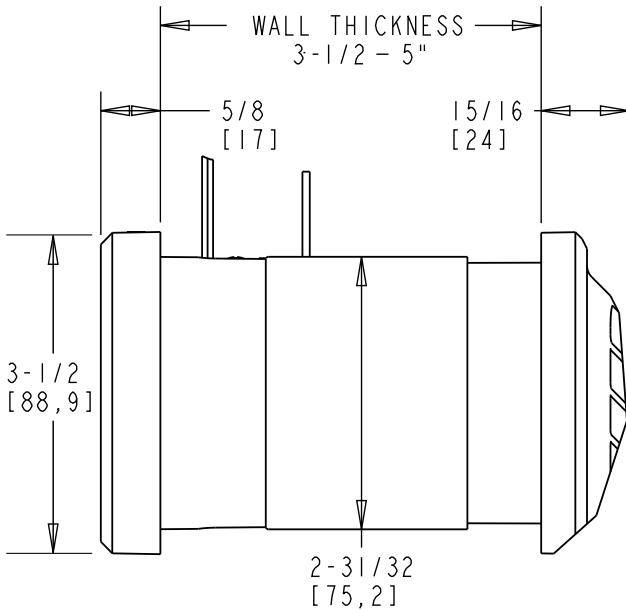
Kason Vent Comparison – Air Flow vs Pressure



U.S. Patent No. 10,731,912;
10,739,055

Outside Walk-in

Inside Walk-in



The 1827 pressure relief port is designed to improve the functionality and efficiency of walk-in coolers and freezers utilizing a specially designed dual port valve and heated faceplate.

• **Dual Port Vent**

- Provides high-flow capacity so doors open/close easier and faster
- Coolers up to 10,000 cf
- Freezers up to 5,000 cf

• **Heating element integrated with faceplate to eliminate freezing**

• **Body adjusts telescopically from 3 1/2" to 5" to fit multiple wall thicknesses**

• **Rated to -30°F to 40°F (-34°C to 4.4°C)
U.L. File No.: 57306**

• **Low wattage consumption**

- 0.05 Amp @120 VAC, 50/60 Hz, 6 W heater
- 0.03 Amp @ 230 VAC, 50/60 Hz, 6 W heater

