

**0171 Series Magnetic Latches**

Part Number: 110171 \*



0171 Cylinder



0171 Knob

© U.S. Trademark 2,319,965  
U.S. Patent 11,261,627

**FEATURES**

- Four handle styles available
- Cylinder locking or non-locking options available
- Two high strength magnet types offered: Regular or ceramic for additional holding force
- Breaker action assist incorporates lever mechanism to ensure fast, easy door opening
- Lock body adjusts vertically to achieve proper gasket seal while strike adjusts for proper alignment with latch

**MATERIALS**

- **Housing:** Zamak #3, SAE #903, chrome plated
- **Adjustment Plate:** Zamak #3, SAE #903, chrome plated
- **Handle:** Zamak #3, SAE #903, Chrome plated or optional composite handle
- **Locking Cylinder:** Zamak #3, SAE #903 with brass wafers
- **Non-Cylinder Hole Plug:** Chrome plated brass
- **Strike:** Sintered powder metal
- **Shim:** Lexide
- **Pin:** Stainless steel type 302/304
- **Plunger Pin:** Brass type 360
- **Magnet:** Plastalloy, 1A, nitrile bonded or optional ceramic magnet of ferrimag 8A

**DESIGN CRITERIA**

- **Application:** Edge mount latch, surface mount strike
- **Mounting:** Drilled and countersunk for #10 (5 mm) screws
- **Temp Range:** Ceramic magnet recommended for above 280°F (138.8°C) or where greater holding power required  
Composite handle max temperature rating of 300°F (149°C)
- **Cycle Tested:** 250,000 cycles
- **Weight:** 2.5 lb (1 kg) Standard handles  
2.9 lb (1.3 kg) Offset zinc handle

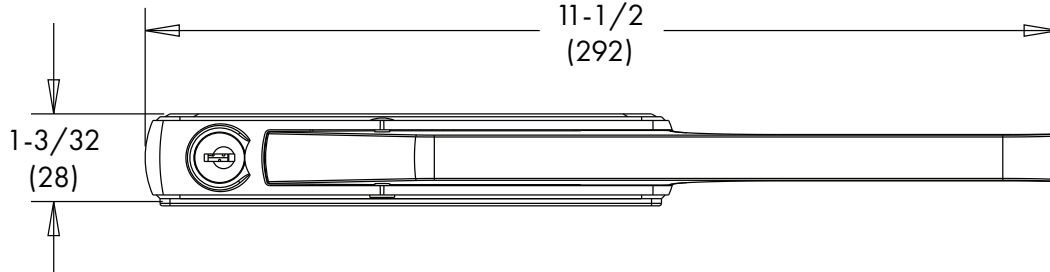
Magnet Type	Holding Force	Handle Opening Force
Standard Magnet	77 lb (35 kg)	8 lb (3.6 kg)
Ceramic Magnet	130 lb (59 kg)	4.5 lb (2 kg)



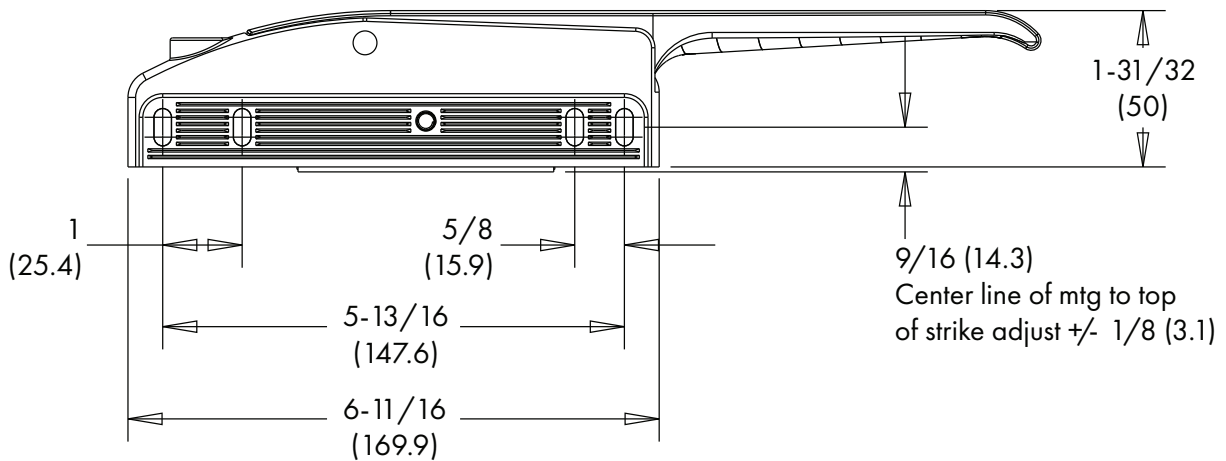
**0171 Series Magnetic Latches**

Part Number: 110171 \*

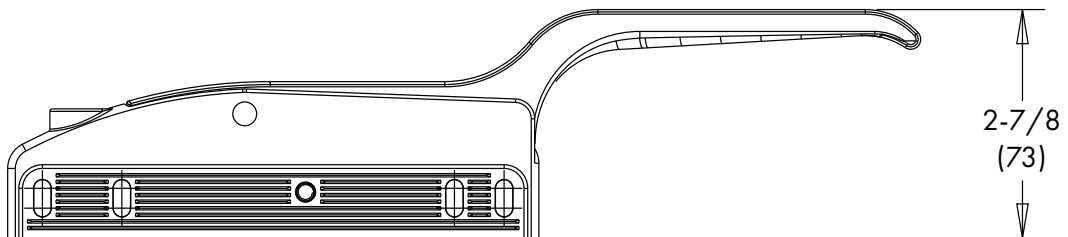
Straight Chrome/Composite Black Handle (Top View)



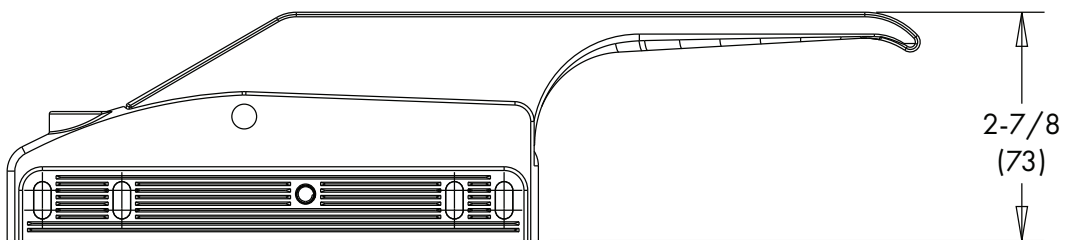
Straight Chrome/Composite Black Handle (Side View)



Offset Chrome Handle



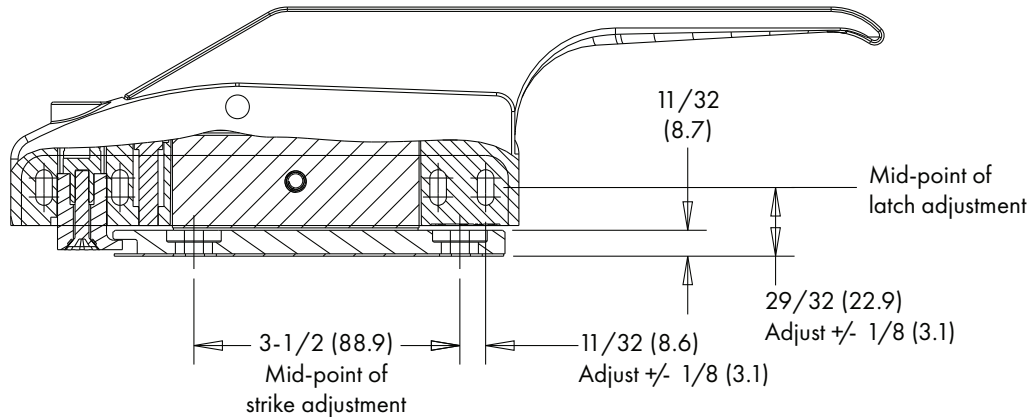
Offset Composite Black Handle



**0171 Series Magnetic Latches**

Part Number: 110171 \*

Partial Section A-A Through Center Line of Latch



Part No.*	Description	Lock	Magnet Type	Wgt./Ctn.	Qty./Ctn.
10171000004	Straight, Die Cast Chrome	None	Standard	39 lb (17.7 kg)	12
10171000014	Straight, Die Cast Chrome	None	Ceramic	39 lb (17.7 kg)	12
10171B00005	Straight, Composite Black, 0544 Strike	None	Standard	31.8 lb (14.4 kg)	12
10171B00008	Offset, Composite Black	None	Standard	31.8 lb (14.4 kg)	12
10171B00024	Offset, Die Cast Chrome	None	Standard	39 lb (17.7 kg)	12
10171B00034	Offset, Die Cast Chrome	None	Ceramic	39 lb (17.7 kg)	12
10171B00048	Offset, Composite Black	None	Ceramic	31.8 lb (14.4 kg)	12
10171B01024	Body Only, Offset, Die Cast Chrome	None	Standard	39 lb (17.7 kg)	12
10171BC0008XX	Offset, Composite Black	Cylinder	Standard	31.8 lb (14.4 kg)	12
10171BC0018XX	Offset, Composite Black	Cylinder	Ceramic	31.8 lb (14.4 kg)	12
10171BC0024XX	Offset, Die Cast Chrome	Cylinder	Standard	39 lb (17.7 kg)	12
10171BC0034XX	Offset, Die Cast Chrome	Cylinder	Ceramic	39 lb (17.7 kg)	12
10171BC0P18XX	Offset, Composite PathoGuard™ Black	Cylinder	Ceramic	31.8 lb (14.4 kg)	12
10171BCH008XX	Offset, Composite Black, Sen Strike	Cylinder	Standard	31.8 lb (14.4 kg)	12
10171BCH034XX	Offset, Die Cast Chrome, Sen Strike	Cylinder	Ceramic	39 lb (17.7 kg)	12
10171BCP008XX	Offset, Composite PathoGuard™ Black, Sen Strike	Cylinder	Standard	31.8 lb (14.4 kg)	12
10171BH0008	Offset, Composite Black, Sen Strike	None	Standard	31.8 lb (14.4 kg)	12
10171BH0024	Offset, Die Cast Chrome	None	Standard	39 lb (17.7 kg)	12
10171BK0018	Offset, Composite Black	Turn Knob	Ceramic	31.8 lb (14.4 kg)	12
10171BK0P18	Offset, Composite PathoGuard™ Black	Turn Knob	Ceramic	31.8 lb (14.4 kg)	12
10171C00004XX	Straight, Die Cast Chrome	Cylinder	Standard	39 lb (17.7 kg)	12
10171CH0004XX	Straight, Die Cast Chrome, Sen Strike	Cylinder	Standard	39 lb (17.7 kg)	12
10171H00004	Straight, Die Cast Chrome, Sen Strike	None	Standard	39 lb (17.7 kg)	12
10171K00004	Straight, Die Cast Chrome	PathoGuard™ Knob	Standard	39 lb (17.7 kg)	12
10171K0P008	Offset, Composite PathoGuard™ Black	PathoGuard™ Knob	Standard	31.8 lb (14.4 kg)	12
10171S00008	Straight, Composite Black	None	Standard	31.8 lb (14.4 kg)	12

- PathoGuard™ antibacterial model numbers available on request.
- Cylinder models supplied with random key numbers unless otherwise ordered. To order specific key number substitute 11, 13, 14, or 16 for XX last two digits of catalog number.
- Non-cylinder locks can be converted to cylinder locks using 0171 CM0004XX Cylinder Kit.