

0523 Stainless Steel Drawer Slides

Part Number: 6052300001320

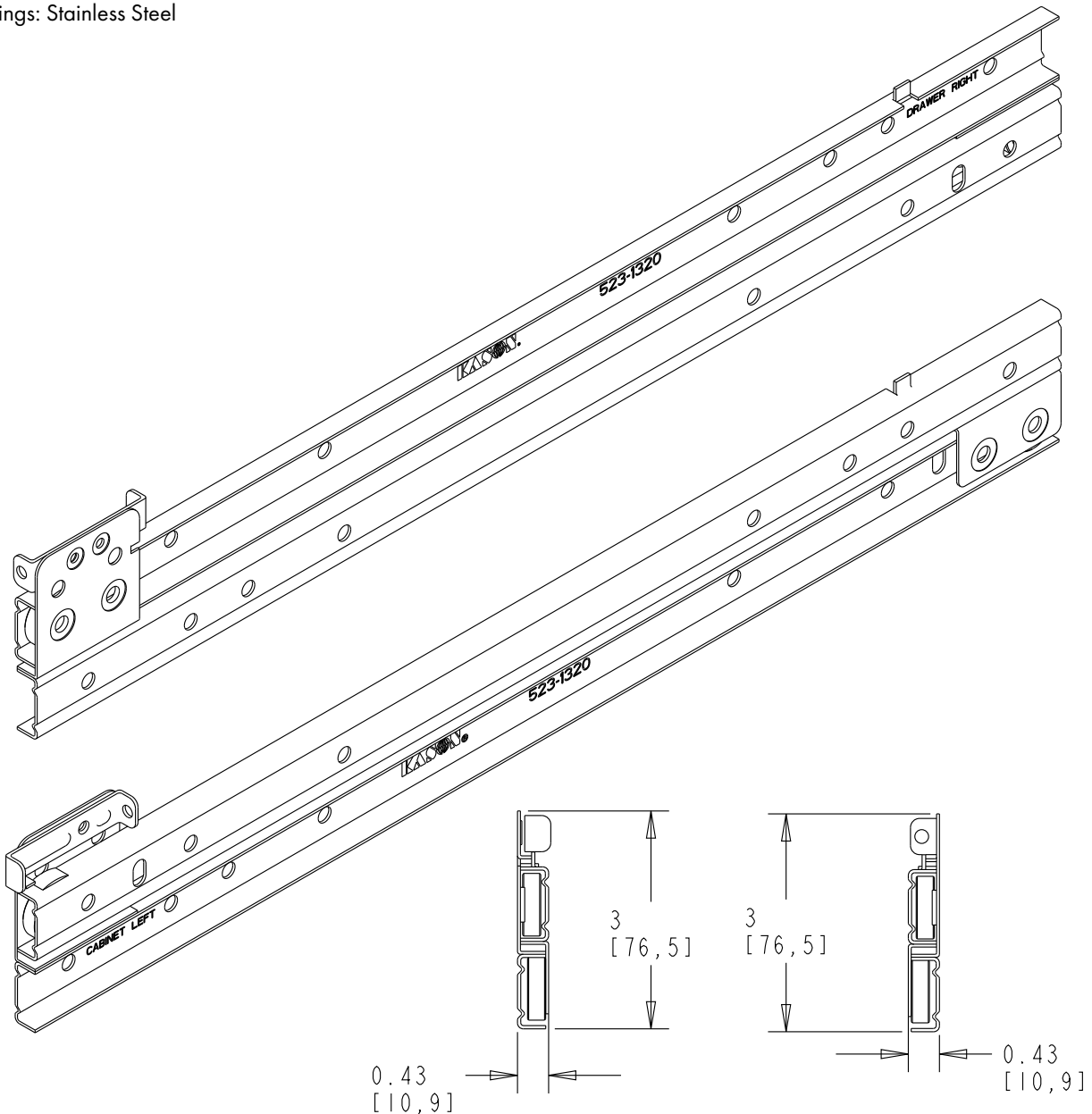
FEATURES

- Medium-duty slides designed for up to 150 lb drawer capacity
- Side mounting; 9/16" (14 mm) clearance
- Drawer extends length of slide minus 4-1/4" (107 mm)
- Finger tip release permits drawer to be fully removed without tools
- Easy installation



MATERIALS

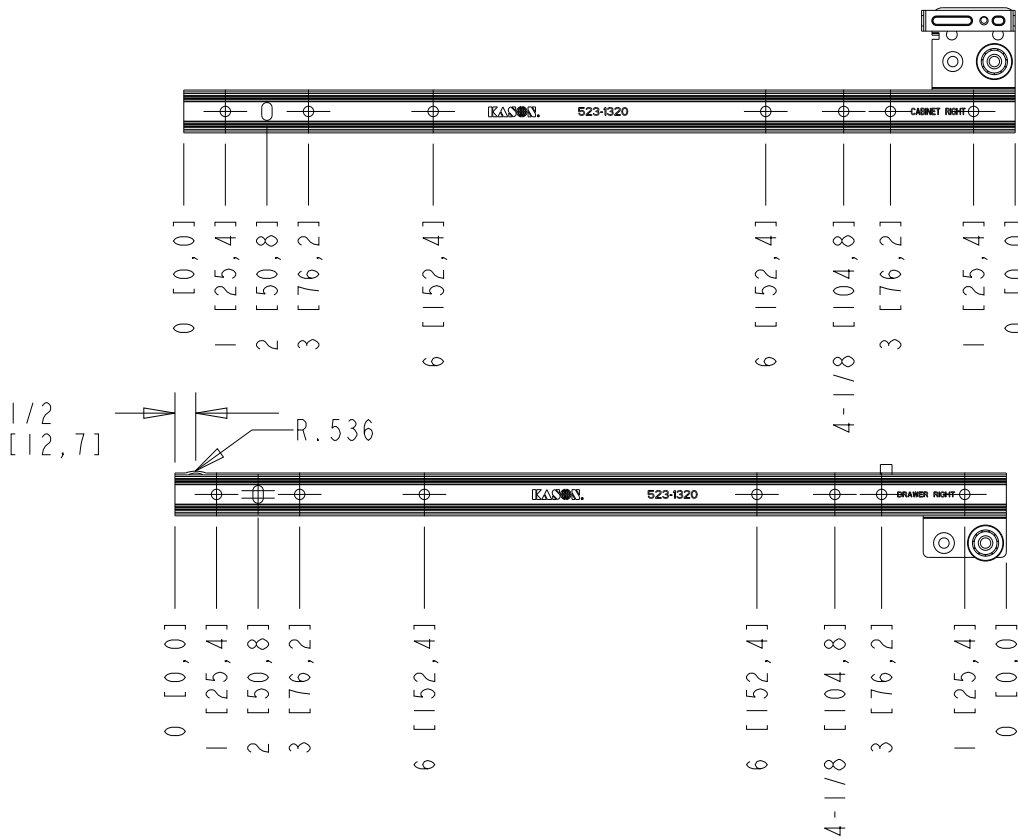
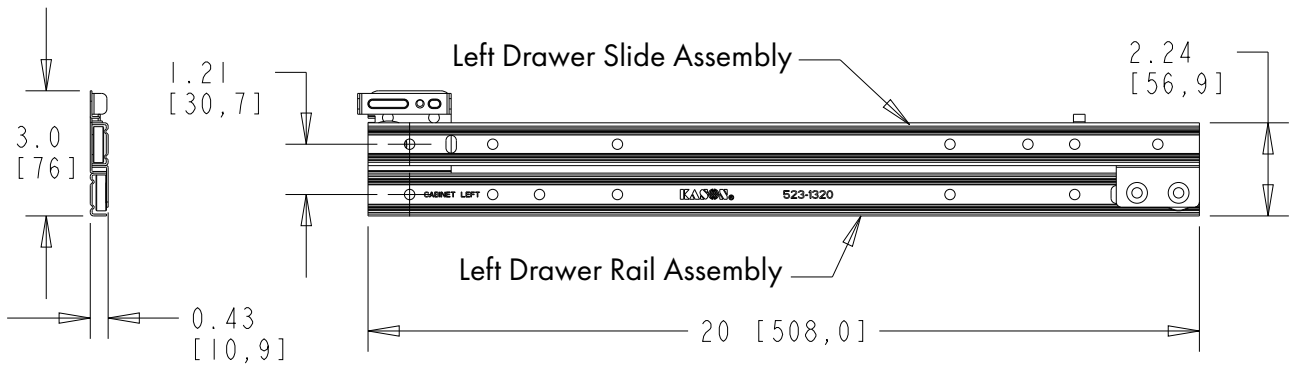
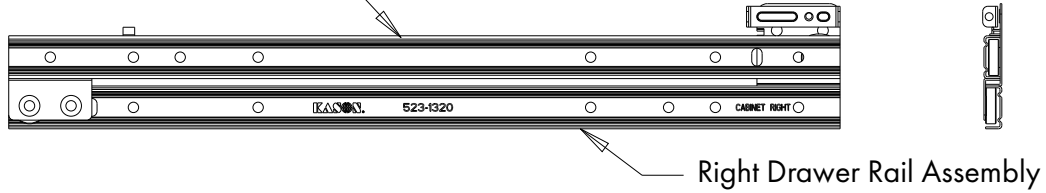
- Slides: 300 Series Stainless Steel
- Bearings: Stainless Steel



0523 Stainless Steel Drawer Slides

Part Number: 6052300001320

Right Drawer Slide Assembly



Mounting holes - Right shown
Left is mirror image