

0812 Cam Action Latch

Part Number: 10812*

**FEATURES**

- High luster polished chrome zinc handle and strike for use on heated cabinets where high gasket compression is required
- Positive action cam up design assures tight gasket seal and promotes ease of opening under varying temperatures
- Easy-grip handle sleeve of high temperature resistant vinyl keeps handle cool for safe operation
- Multiple offsets available
- Meets NSF/ANSI Standard 2 for food equipment

DESIGN CRITERIA

- Face mount capability
- Use 1/4" (6.0 mm) screws

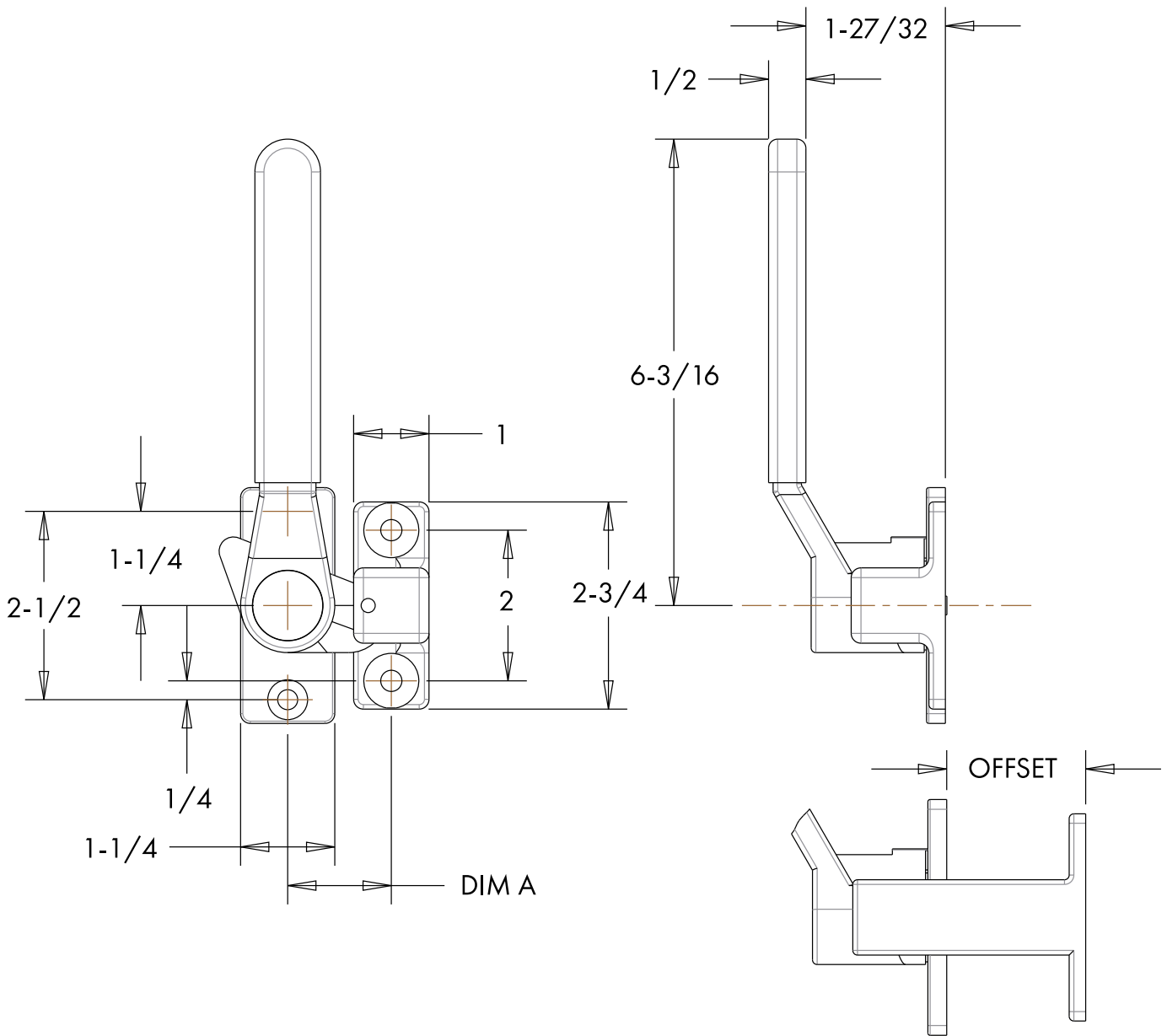
MATERIALS

- **Handle:** Zamak #12, ASTM B86-13, Polished Chrome Plated
- **Bottom Plate:** Zamak #12, ASTM B86-13, Polished Chrome Plated
- **Strike:** Zamak #12, ASTM B86-13, Polished Chrome Plated
- **Wear Washer:** Polyetherimide, ASTM D5205-10
- **Wear Ramp:** Acetal, ASTM D648, Natural Color
- **Pivot Pin:** Stainless Steel, Type 302/303
- **Hole Plug:** Cold Rolled Steel, ASTM A109, Chrome Plated
- **Belleville Washer:** Spring Steel, DIN 2093
- **Retaining Ring:** Spring Steel, DIN 2093
- **Handle Sleeve:** High-Temperature Vinyl
- **Weight Each:** 1.5 lb (0.68 kg)



0812 Cam Action Latch

Part Number: 10812*



Part No.*	Description	Dim. A	Offset	Wgt./ Carton
10812000002	Oven Cam Latch, Polished Chrome	1-3/8"	1-27/32" (46.8 mm)	24.2 lb (11 kg)
10812000004	Oven Cam Latch, Polished Chrome	1-3/8"	Flush (0.0 mm)	18.4 lb (8.3 kg)
10812000006	Oven Cam Latch, Wide, Polished Chrome	1-5/8"	Flush (0.0 mm)	18.6 lb (8.4 kg)