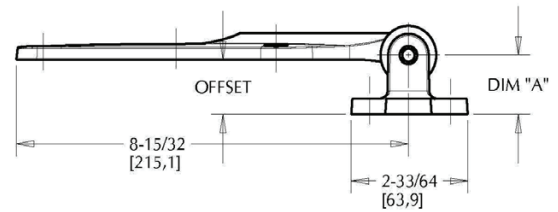
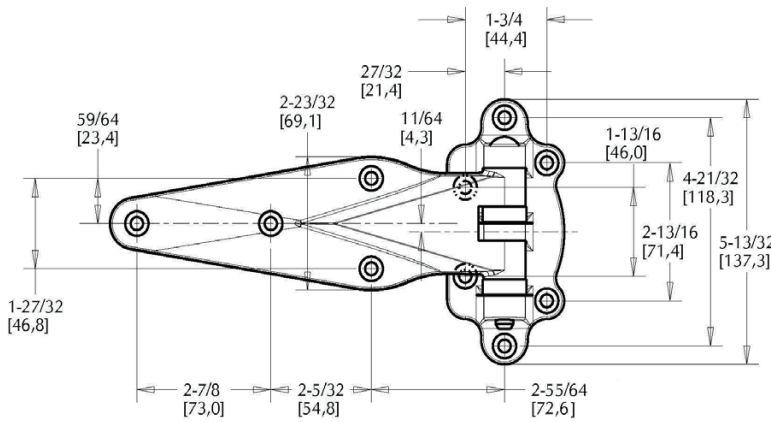


1037 Forged Brass Hinge

Part Number: 11037*



© U.S. Trademark: 5,923,905



FEATURES

- Heavy-duty double knuckle non-rise hinge engineered for maximum structural strength
- Polished chrome finish on forged brass flange and strap offer classic styling and long lasting dependability
- Available for left or right opening doors in offsets to suit your application
- Easily change hand of operation by driving out pin and reversing parts

MATERIALS

- **Flange & Strap:** Forged brass, CDA #377
- **Bearing:** Nylon (Zytel 408)
- **Washer and Pin:** AISI Type 302 Stainless Steel
- **Finish:** Polished Chrome

DESIGN CRITERIA

- Safe working load for [Group 'F' Hinge](#) = 6,930 in-lb resisting moment per pair from Kason hinge selection chart
(Ex: 33" door, max weight of 420 lb = 33/2 x 420 = 6,930 in-lb (OK))
- 250,000 cycle functional testing without significant wear
- Accepts 1/4" (6 mm) flat or oval head fasteners
- **Operating Temperature:**
-20°F to 150°F (-28.9°C to 65.6°C)

Part No.	Description	Offset	Dim "A"	Qty./Carton
11037000003	Hinge, L.H.	Flush (0.0 mm)	31/32" (24.6 mm)	8
11037000004	Hinge, R.H.	Flush (0.0 mm)	31/32" (24.6 mm)	8
11037000043	Hinge, L.H.	1-3/8" (34.9 mm)	1-7/32" (30.9 mm)	6
11037000044	Hinge, R.H.	1-1/8" (28.6 mm)	1-7/32" (30.9 mm)	6

Note: Other offsets available to specification. Minimum order required.