

1096M-4 Adjustable Door Closer

Part Number: 11096M00004

⚠ CAUTION

For operator safety, model no. 1096M-4 door closer should be mounted as low as possible on door.

This is a high tension device. Improper use can lead to injury. Tension adjustment maximum wind up 1-revolution (8 notches).

FEATURES

- Provides additional closing assistance for large or hard to close doors
- Torque adjusting feature allows incremental adjustment using a 5/8" wrench
- Torque arm pivots on a central shaft with nylon bushings to provide smooth quiet transmission of torque
- Torque limiting clutch prevents over torquing the torsion spring
- Product accommodates left or right hand door installation
- Door closer designed to work with cam rise or fixed pivot hinges
- Roller strike capture wireform retains power arm for safe operation
- Improved corrosion resistance with aluminum body construction

MATERIALS

- **Clutch:** Powder Metal
- **Indexing Pin:** Powder Metal
- **Mounting Plate:** Aluminum
- **Housing:** Die Cast Aluminum
- **Springs:** Music Wire, Raw
- **Bottom Housing:** Die Cast Aluminum
- **Tube:** Aluminum
- **Roller:** Nylon
- **Roller Guide:** Die Cast Aluminum
- **Hardware:** Stainless Steel

DESIGN CRITERIA

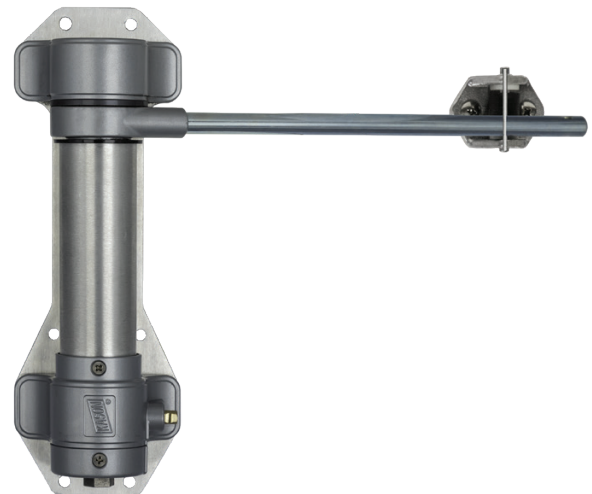
- Cycle tested to 250,000 cycles
- Roller guide accepts 1/4" (6 mm) fasteners
- Door closer accepts 1/4" (6 mm) fasteners
- **Temperature Range:** -40°F to 150°F (-40°C to 65°C)
- **Max Force by Arm:** 11 lb
- **Max Torque:** 132 in-lb

RIGHT HAND INSTALLATION



U.S. Patent No. D-869,128; 10,280,669; 10,711,498

LEFT HAND INSTALLATION



| Part No. | Description | Wgt./Carton |
|-------------|------------------------|-------------------|
| 11096M00004 | Adjustable Door Closer | 4.12 lb (1.86 kg) |



1096M-4 Adjustable Door Closer

Part Number: 11096M00004

