

1229 Series SafeGuard® Handle

Part Number: 11229*

FEATURES

- Rugged, sanitary die cast zinc handle for use on walk-in coolers/freezers
- Both locking and non-locking model available in polished or brushed chrome finish
- Cylinder locking model uses a 0948 Inside Release for emergency egress
- Can be locked and unlocked from inside the enclosure
- System functions regardless of door sag
- Locking models include freezer ready inside release kit

MATERIALS

- **Handle:** Zamak #3, SAE #903, polished or brushed chrome finish
- **Hole Plug:** Brass, chrome plated
- **Locking Cylinder:** Zamak #3, SAE #903, with brass tumblers
- **Shaft:** Zamak #3, SAE #903
- **Bearing, Washer, Connecting Rod:** Nylon
- **Mounting Flange:** Zamak #3, SAE #903 locking lever, washer, center screw
- **Ball and Spring:** 300 series stainless steel
- **Body:** Polycarbonate, FG/filled
- **Strike Plate:** Polypropylene
- **Freezer Cap:** Polyethylene

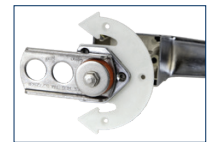
DESIGN CRITERIA

- Flush offset (consult factory for other offsets)
- Handle accepts 1/4" cap screw
- Inside release accepts #10 flat head screw
- Standard for 4" door. Other sizes available
- **Temperature Range:** -30°F to 150°F (-34.4°C to 65.5°C)

Cylinder Locking Handle



© Trademark 2,166,710; 5,272,931
U.S. Patent D959,218



Reverse Angle

Non-Cylinder Handle

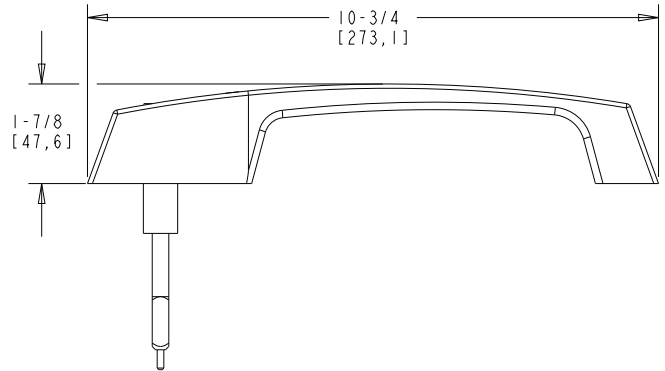
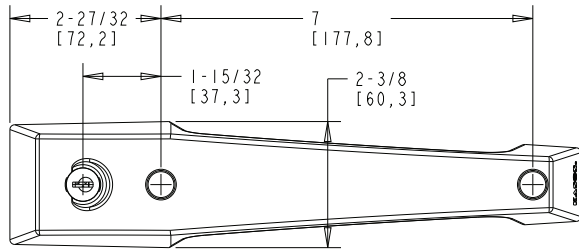


*Part No.	Description	Material	Finish	Weight/Carton
11229000004	Handle, Non-Locking, 4" Wall	Zamak #3, SAE #903	Brushed Chrome	25 lb (11.3 kg)
11229000005	Handle, Non-Locking, 4" Wall	Zamak #3, SAE #903	Polished Chrome	25 lb (11.3 kg)
11229C00024XX	Handle, Cylinder Locking w/ ISR, 4" Wall	Zamak #3, SAE #903	Brushed Chrome	31 lb (14.1 kg)
11229C00025XX	Handle, Cylinder Locking w/ ISR, 4" Wall	Zamak #3, SAE #903	Polished Chrome	31 lb (14.1 kg)
11229C00028XX	Handle, Cylinder Locking and ISR w/ Freezer Kit, 4" Wall	Zamak #3, SAE #903	Brushed Chrome	31 lb (14.1 kg)
11229C00029XX	Handle, Cylinder Locking and ISR w/ Freezer Kit, 4" Wall	Zamak #3, SAE #903	Polished Chrome	31 lb (14.1 kg)
11229C0002865	Handle, Cylinder Locking and ISR w/ Freezer Kit, 6-1/2" Wall	Zamak #3, SAE #903	Brushed Chrome	31 lb (14.1 kg)
10948000006	Freezer Kit for ISR			
9094801150117	6" Rod for Thick Wall			

Cylinder models supplied with random key numbers unless otherwise ordered.
To order specific key number substitute 11, 13, 14, or 16 for XX

1229 Series SafeGuard® Handle

Part Number: 11229*



0948 Inside Release

Glow Plate

