

1236 SafeGuard® Heavy-Duty Lever Locking Handle

Part Number: 11236C*

FEATURES

- Rugged locking Die Cast Zinc Handle for use on walk-in coolers and freezers
- Pivot action of handle against strike breaks gasket seal, assisting in door opening. Reduces effort by half
- Cylinder lock and padlock provision standard
- Concealed mounting provides tamper resistance.
- Durable handle available in polished or brushed chrome finish
- To actuate inside release, rotate lever or knob 90 degrees. Lever meets ADA requirements



1238 Knob Release

MATERIALS (HANDLE)

- **Handle:** Zamak #3, polished or brushed chrome finish
- **Hole Plug:** Chrome plated brass
- **Locking Cylinder:** Zamak #3 with brass tumblers and stainless steel scalp
- **Pivot Plate:** Zamak #3
- **Spring:** Type 302 stainless steel
- **Handle Pin:** 300 series stainless steel
- **Hair Pin Clip:** 1070/1095 spring steel
- **Back Plate:** Aluminum
- **Bushing:** Nylon type 6/6
- **Screw:** Steel, zinc plated



1239 Lever Release



MATERIALS (INSIDE RELEASE)

- **Connecting Rod:** Aluminum or brass
- **Strike:** Zamak #3
- **Strike Plate:** Zamak #3
- **Locking Lever:** Zamak #3
- **Drive Lock Pin:** Steel, zinc plated

DESIGN CRITERIA

- Flush offset
- Handle accepts 1/4" flat or oval head screw
- Standard 4" wall thickness, other sizes available
- **Operating Temperature:** -20°F to 150°F (-28.9°C to 65.6°C)

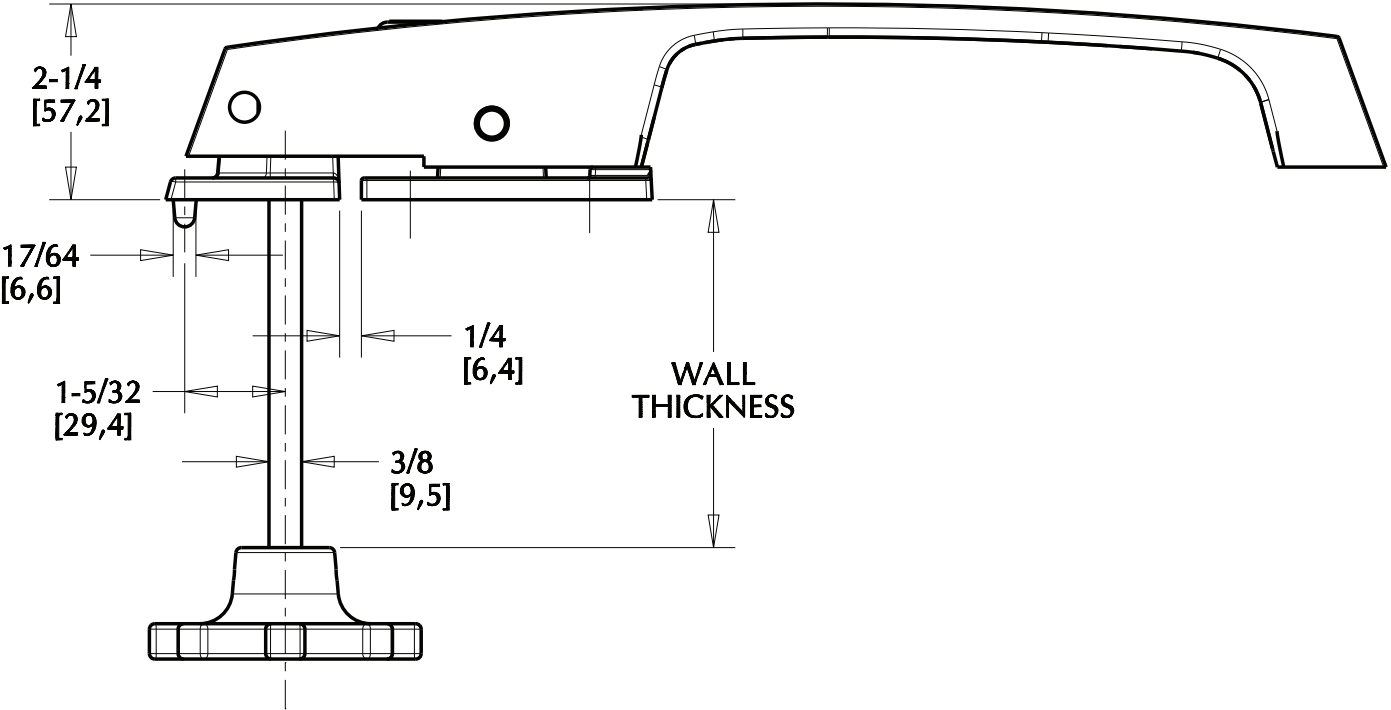
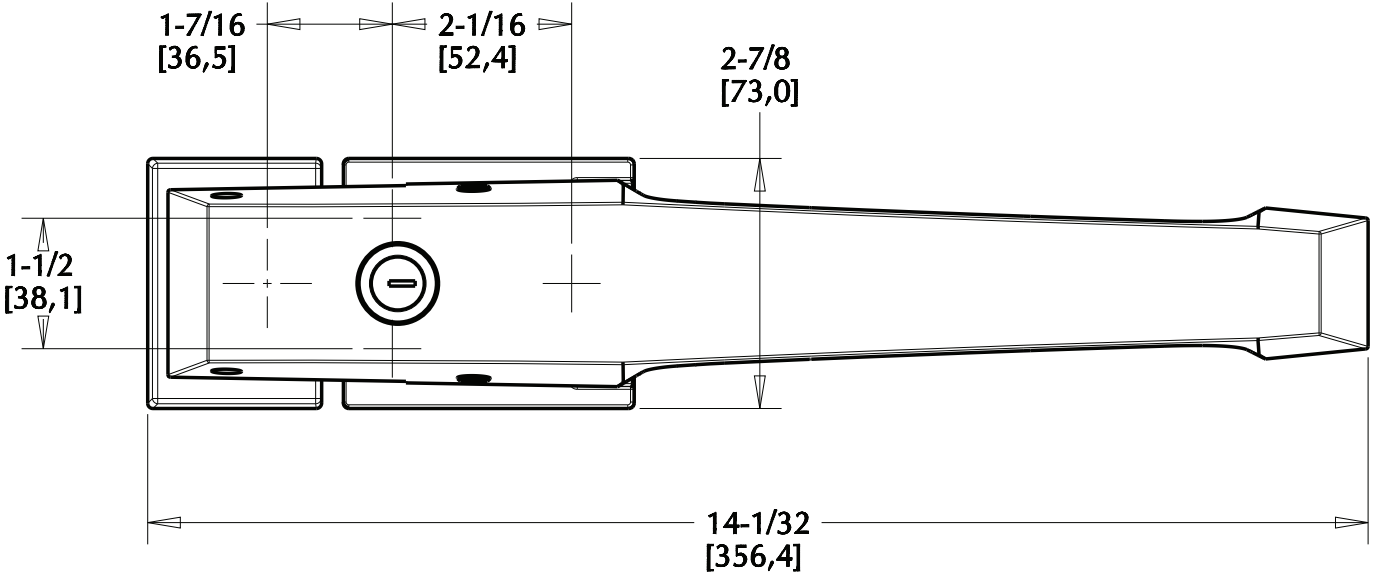
Part No.	Description	Release Type	Finish
11236C00004	Latch with Cylinder, 4" Wall	Lever	Brushed Chrome
11236C0000406	Latch with Cylinder, 6" Wall	Lever	Brushed Chrome
11236C00005	Latch with Cylinder, 4" Wall	Lever	Chrome
11236C00006	Latch with Cylinder, 4" Wall	Knob	Chrome
11236C0000605	Latch with Cylinder, 5" Wall	Knob	Chrome
11236C0000606	Latch with Cylinder, 6" Wall	Knob	Chrome
11236C00007	Latch with Cylinder, 4" Wall	Knob	Brushed Chrome
11236C0000705	Latch with Cylinder, 5" Wall	Knob	Brushed Chrome

Packaged 6 per carton. Approximate shipping weight is 25 lb (11.4 kg).

1236 SafeGuard® Heavy-Duty Lever Locking Handle

Part Number: 11236C*

1236 Locking Handle with 1238 Knob Inside Release



1236 SafeGuard® Heavy-Duty Lever Locking Handle

Part Number: 11236C*

1236 Locking Handle with 1239 Lever Inside Release

