

1378 Heavy-Duty High-Rise Adjustable Hinge

Part Number: 11378*

FEATURES

- Strap adjustment up to 1/2" per hinge, allowing sagging doors to be realigned for renewed service
- Industry standard self-closing cam-rise hinge
- Heavy-duty face mount hinge
- High rising spiral cams, total rise is 7/8" (22.2 mm)
- Cam design raises door quickly upon opening to reduce sweeper gasket drag and wear, plus increase closing momentum
- Holds open dwell at 105°F (40.6°C)
- Through-pin flange design
- Optional: Spring loaded cam for extra closing force
- **Note:** Replaces the 1278 and 1277



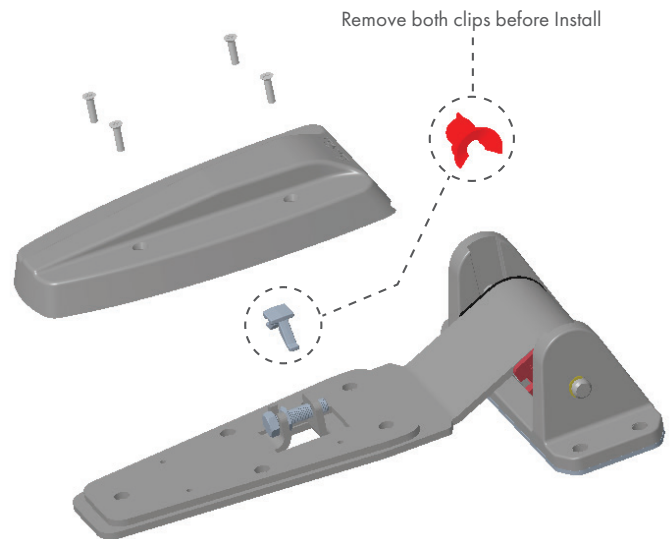
U.S. Patent No. 7,870,642; 7,584,523;
8,621,715; 8,505,166; 8,407,859

DESIGN CRITERIA

- **Mounting:** Drilled to accommodate 3/8" fasteners
- **Load Rating:** See [Hinge Selector Chart](#), Group G

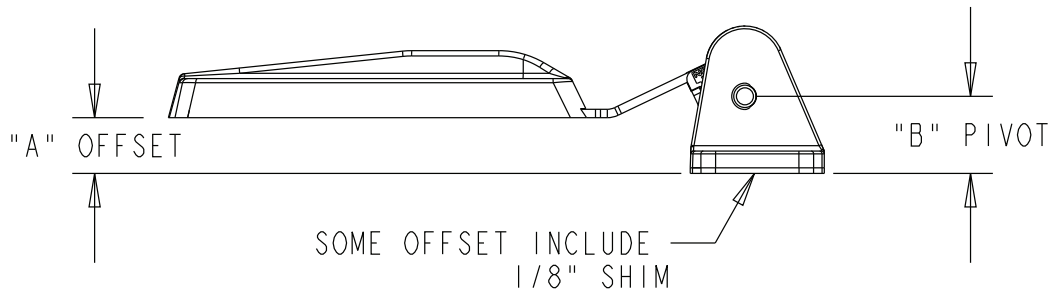
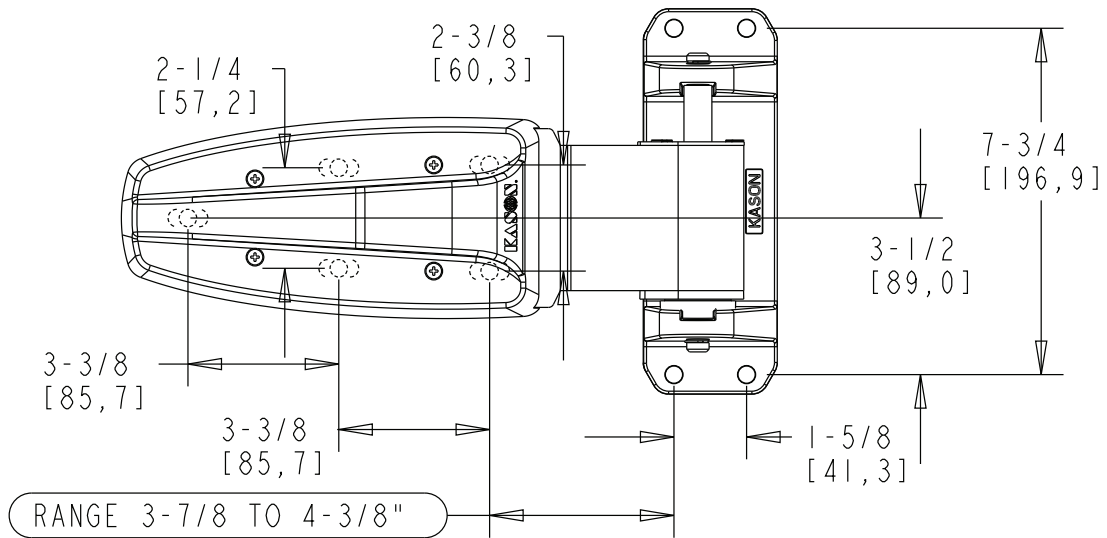
MATERIALS

- **Strap:** Steel
- **Top Plate:** Steel
- **Adjustment Screw:** Steel
- **Pivot Pin:** Steel
- **Fastener "C" Ring:** Steel
- **Cover:** Composite
- **Cam:** Composite
- **Follower:** Composite
- **Top Bearing:** Composite
- **Flange:** Zinc
- **Screws:** Stainless Steel
- **Finish:** Silver powder coat, color matched plastic cover, zinc plated top plate



1378 Heavy-Duty High-Rise Adjustable Hinge

Part Number: 11378*



Part No.	Description	Offset "A"	Pivot "B"	Qty./Carton	Wgt./Carton
11378000007S	Hinge, Left Hand, Silver	1-1/8" (28.6 mm)	1.6	2	17 lb (7.3 kg)
11378000008S	Hinge, Right Hand, Silver	1-1/8" (28.6 mm)	1.6	2	17 lb (7.3 kg)
11378000009S	Hinge, Left Hand, Silver	1-1/4" (31.8 mm)	1.72	2	17 lb (7.3 kg)
11378000010S	Hinge, Right Hand, Silver	1-1/4" (31.8 mm)	1.72	2	17 lb (7.3 kg)
11378000011S	Hinge, Left Hand, Silver	1-3/8" (34.9 mm)	1.85	2	17 lb (7.3 kg)
11378000012S	Hinge, Right Hand, Silver	1-3/8" (34.9 mm)	1.85	2	17 lb (7.3 kg)
11378000013S	Hinge, Left Hand, Silver	1-1/2" (38.1 mm)	1.97	2	17 lb (7.3 kg)
11378000014S	Hinge, Right Hand, Silver	1-1/2" (38.1 mm)	1.97	2	17 lb (7.3 kg)
11378000015S	Hinge, Left Hand, Silver	1-5/8" (41.3 mm)	2.1	2	17 lb (7.3 kg)
11378000016S	Hinge, Right Hand, Silver	1-5/8" (41.3 mm)	2.1	2	17 lb (7.3 kg)
11378000017S	Heavy-Duty Hinge, Adjustable, Left Hand, Silver	1-3/4" (44.5 mm)	2.22	2	17 lb (7.3 kg)
11378000018S	Heavy-Duty Hinge, Adjustable, Right Hand, Silver	1-3/4" (44.5 mm)	2.22	2	17 lb (7.3 kg)
11378000019S	Heavy-Duty Hinge, Adjustable, Left Hand, Silver	1-7/8" (47.6 mm)	2.35	2	17 lb (7.3 kg)
11378000020S	Heavy-Duty Hinge, Adjustable, Right Hand, Silver	1-7/8" (47.6 mm)	2.35	2	17 lb (7.3 kg)
11378S00003S	Spring Hinge, Left Hand Flush, Silver	Flush (0 mm)	1.6	2	17 lb (7.3 kg)
11378S00004S	Spring Hinge, Right Hand Flush, Silver	Flush (0 mm)	1.6	2	17 lb (7.3 kg)