

1810LC4000-B LED Fixture with 90-Minute Battery Backup

Part Number: 11810LC4000-B



FEATURES

- 90-minute battery backup for walk-ins down to 32°F (0°C)
- 4650 lumens enables less fixtures to achieve desired light level
- Universal input voltage, 40 W total
- High-impact resistant polycarbonate enclosure
- Pre-installed Surface Mount LED Strips
- Easy retrofit for old lighting
- 1-year limited warranty

MATERIALS

- **Housing and Lens:** High-impact polycarbonate
- **Latches:** Plastic/Polycarbonate

DESIGN CRITERIA

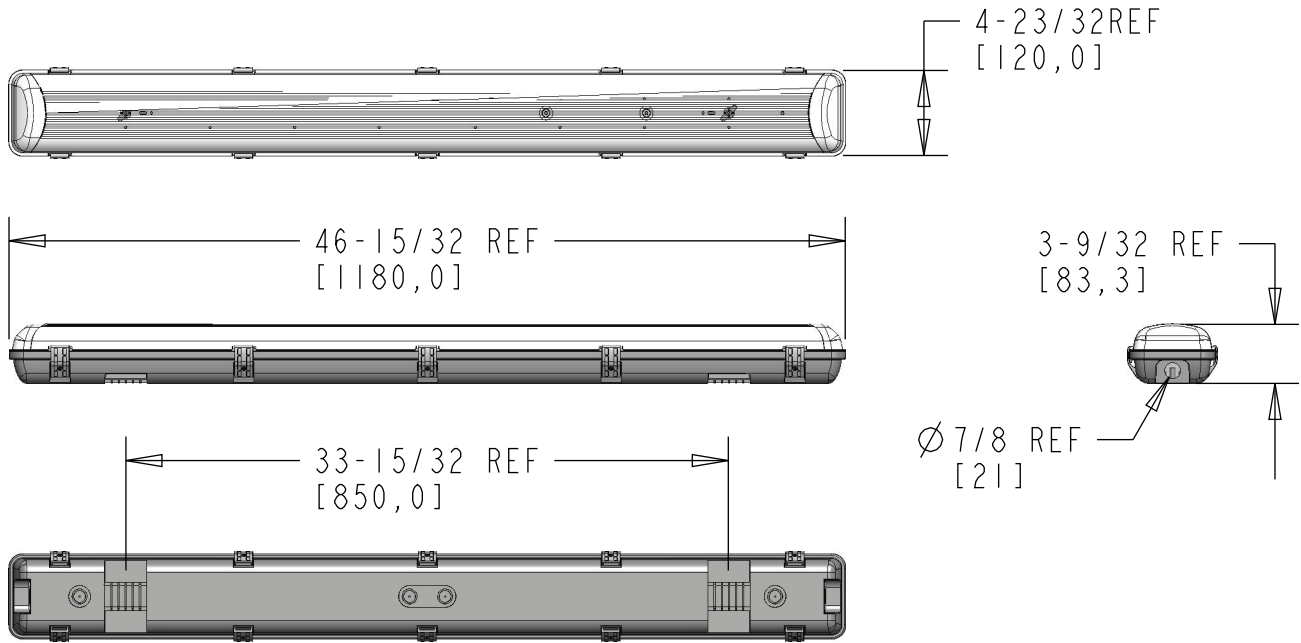
- 116 lumens/watt exceeds Federal Energy Act requirement
- Luminaire Rating IP-65 for wet and cold environments, instant on, even in lowest temperatures
- No ultraviolet emission, does not attract insects
- 4000K color temperature
- Rated 50,000 hour life
- Mercury free, LM-79 tested
- Power: 120-277 VAC @ 50-60 Hz (universal voltage)
- Battery backup for walk-in coolers with light output for 90 minutes per UL safety standards

Model No.	Description
11810LC4000-B	LED Fixture 4', 120-277 V, 40 W, 4000K PC Battery Backup



1810LC4000-B LED Fixture with 90-Minute Battery Backup

Part Number: 11810LC4000-B



Height (in feet)	Average Footcandle for Single Fixture Over Indicated Area			
	8' x 8'	12' x 12'	16' x 16'	20' x 20'
5	38	20.9	13.2	9.1
8	27.7	16.2	10.7	7.6
9	-	15.1	10.1	7.2
12	-	12.3	8.5	6.2
13	-	-	8.0	5.9
16	-	-	6.9	5.2
17	-	-	-	5.0
20	-	-	-	4.4