

**1820U/UB LED High Bay Fixture**  
 Part Number: 11820U00004/11820UB0004



**FEATURES**

- Next generation of LED Hi/Low Bay lighting designed for walk-in and large refrigerated warehouses
- Battery back-up (1820UB model only)
- Large, hinged junction box with lever connectors
- Flexible junction box can be mounted with a hook, rigid conduit, and direct mount
- Selectable wattage/lumen output
- Selectable LED light color
- 0-10 dimmable feature
- Built-in pressure vent to prevent moisture from collecting in the fixture housing

**MATERIALS**

- Light weight, durable aluminum cast body, white powder coating
- High impact poly-carbonate lens

**DESIGN CRITERIA (1820U)**

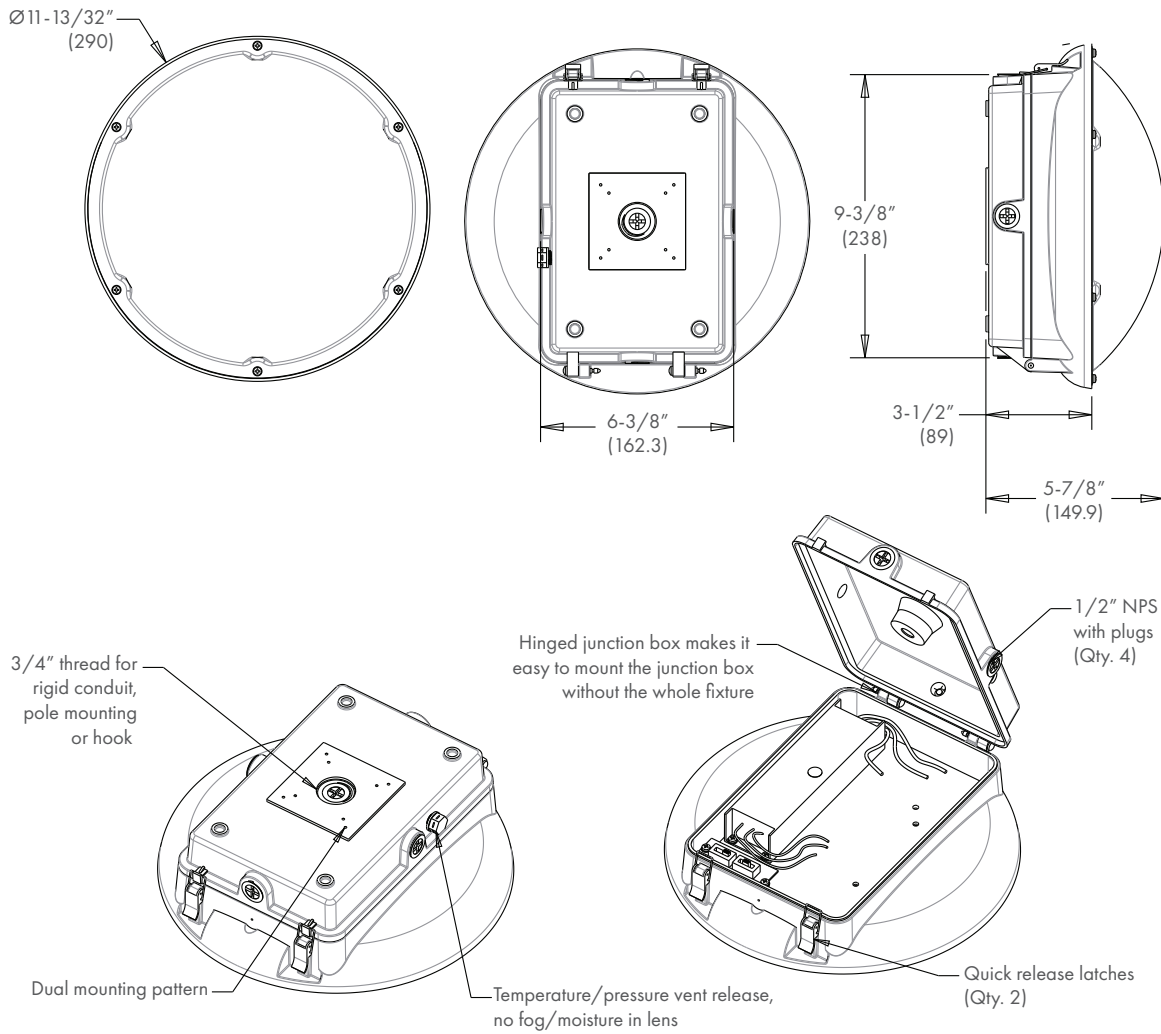
- **Input:** 80 VAC – 277 VAC
- **Frequency:** 50/60Hz
- Selectable Wattage/Lumen Output
  - 40 Watts/5900 Lumens
  - 60 Watts/9300 Lumens
  - 70 Watts/10,600 Lumens
- Selectable Light Color Temperature
  - Warm Light: 3000K
  - Natural Light: 4000K
  - Cool Light: 5000K

**DESIGN CRITERIA (1820UB)**

- **Input:** 80 VAC – 277 VAC
- **Frequency:** 50/60Hz
- Selectable Wattage/Lumen Output
  - 21 Watts/3150 Lumens
  - 30 Watts/4500 Lumens
  - 40 Watts/6000 Lumens
- Selectable Light Color Temperature
  - Warm Light: 3000K
  - Natural Light: 4000K
  - Cool Light: 5000K

Part No.	Description
11820U00004	LED Fixture, 80-277 V, 3000-5000K
11820UB0004	LED Fixture with Battery Backup, 80-277 V, 3000-5000K

**1820U/UB LED High Bay Fixture**  
 Part Number: 11820U00004/11820UB0004



**1820UB**

