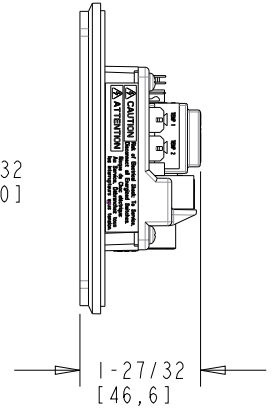
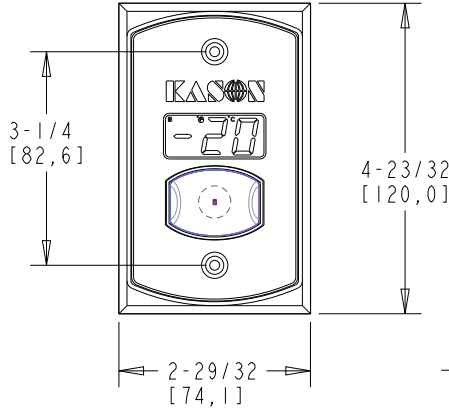
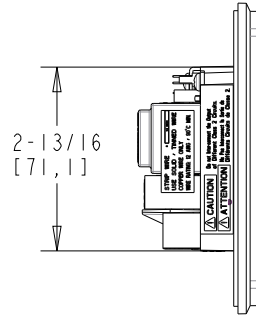


1967-A3 Dual Temperature Display and Switch

Part Number: 119670000A3



FEATURES

- Easy-to-read, ultra-bright blue LED display
- Multilocation switch allows you to control up to 4 switches using low voltage communication
- 3-way hardwire compatible
- Displays alternate readings between freezer and cooler temperature probes
- Designed for wet and dry locations; oversized gasket fills voids between unit and uneven surfaces
- Easy-to-activate light relay with touch technology
- Plug and play digital temperature probe included (no calibration required)
- Can be customized with company branding
- Quick installation with no connectors required

MATERIALS

- Clear polycarbonate housing, aluminum simulated polycarbonate overlay, silicone gasket

DESIGN CRITERIA

- **Mounting**
Standard 2-1/8" deep junction box (purchase separately), #6-32 x 3/4" SS, oval head screws (2 provided)
- **Electrical Rating**
120 VAC @ 16 Amps, 240 VAC Available
- **Display**
1.5 W/120 VAC = 0.01 Amps & 1.5 W/240 VAC = 0.01 Amps
- **With Relay (Light) On**
2.2 W/120 VAC = 0.02 Amps & 2.2 W/240 VAC = 0.01 Amps

Part No.	Description
119670000A3	Dual Temperature Display (120 VAC)
119670000A3240	Dual Temperature Display (240 VAC)
11967000F38	Door Sensor, 3/8" (7.9 mm), 24" (0.6 m)
11967000F3820	Door Sensor, 3/8" (7.9 mm), 20" (6.0 m)
11967B09453600	Battery Cable, 36" (0.9 m)
11967000942	Temperature Probe, 72" (1.8 m)
11967006130117	Junction Box Gasket
11967000933	Com Cable, 50' (15.3 m)

