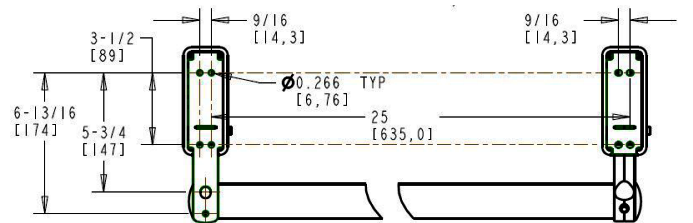
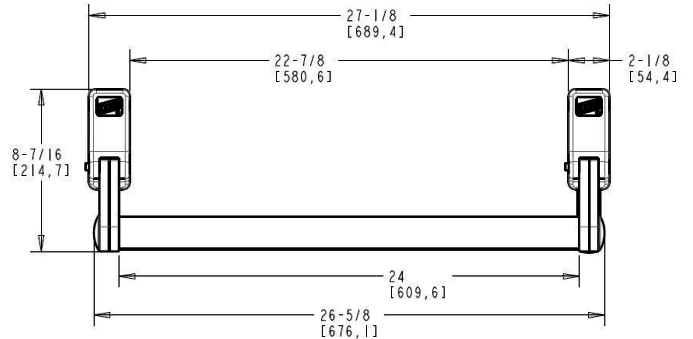


0488C Walk-In Push Bar Inside Release (for use with Kason 0058, 0077, 0078 and 0778 latches)

Part Number: 10488C00318*



U.S. Patent 11,193,311



FEATURES

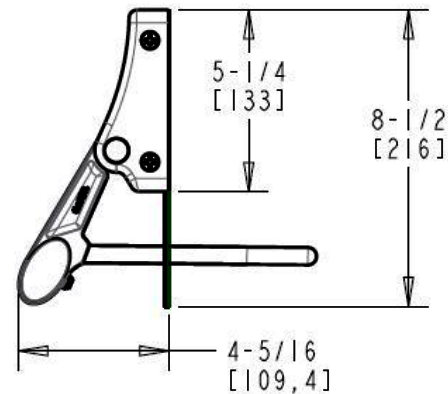
- Stainless steel and aluminum materials for non-corroding construction
- Crossbar design provides a large contact area for opening door
- Ergonomic design provides simple low-effort operation
- Optional retrofit kit available!

MATERIALS

- **Cross bar:** 304 stainless steel
- **Mounting brackets:** 304 stainless steel
- **Push rod:** 303 series stainless steel
- **Cover:** Die-cast aluminum
- **Pivot arm:** Die-cast aluminum
- **Hardware:** Stainless steel
- **Pin:** 304 stainless steel
- **Springs:** Music wire
- **End caps:** Black polyethylene

MOUNTING

- For mounting on new doors with structural backing plates (not included), that are also appropriate for 1/4" diameter stainless steel fasteners. Consult Kason Engineering Department for field retrofitting instructions.



DESIGN CRITERIA

- **Temp range:** -40°F to 150°F (-40°C to 65°C)
- Cycle tested to 250,000 cycles
- Designed for 1/4" mounting screws
- Accommodates left and right handed doors



Part No.*	Latches	Door Thickness	Rod Length	Qty./Carton	Wgt./Carton
10488C00318300	0056, 5656, 0058, 0077, 0078, 0778	3"	6.46"	1	5.98 lb (2.71 kg)
10488C00318400	0056, 5656, 0058, 0077, 0078, 0778	4"	7.46"	1	6.04 lb (2.74 kg)
10488C00318500	0056, 5656, 0058, 0077, 0078, 0778	5"	8.46"	1	6.09 lb (2.76 kg)
10488C00318600	0056, 5656, 0058, 0077, 0078, 0778	6"	9.46"	1	6.14 lb (2.79 kg)