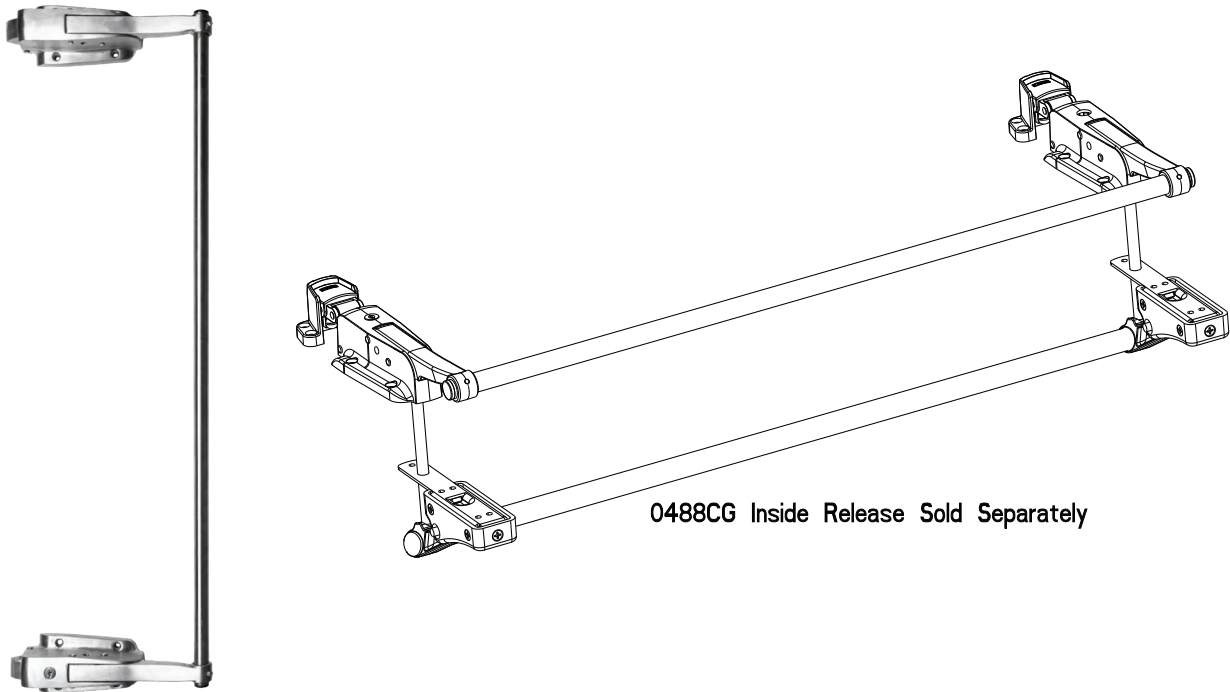


7888 Two-Point Latch with 0488CG Vertical Push Bar Inside Release

Part Number: 17888*



0488CG Inside Release Sold Separately

FEATURES

- Two No. 0778 latches with stainless steel connecting rods (Rod is 1/2" (12.7 mm) diameter and supplied in 3 different spacing options)
- Vertical inside release push bar provides ergonomic operation to open the door from the inside
- Radial tongue provides positive locking action, with minimum closing effort
- Proven, heavy-duty construction
- Kason's adjustable strike assures precise adjustment
- Padlocking provision standard on all models. Cylinder locking optional
- Uses Kason "C" Series 0488CG Inside Release Mechanism only to prevent accidental entrapment in locked walk-ins. Inside lever releases cylinder-locked or padlocked door
- Available in stainless steel and zinc with chrome finishes

MATERIALS

- **Handle, Lock Body, Tongue, Strike Housing, Strike Insert:** Type 316 Stainless Steel, Finish (Satin)
- **Locking Cam:** HRP&O (ASTM A1011), Hardened, Finish (Commercial Zinc Plate)
- **Spring Rod, Springs, Tongue Link, Lever, Bottom Plate, Screws, Pins, Optional Strike Roller:** Type 316 Stainless Steel, Finish (Passivate)
- **Washer Gasket:** Neoprene (ASTM D2000), Adhesive Backed
- **Lock Cylinder Assembly:** ZA-3, Brass, Finish (Raw with 300 Series Stainless Steel Scalp)
- **Standard Roller and Cover Block:** Nylon 6/6
- **Lubricant:** Molytex EP2

Note: Zinc models use different materials.

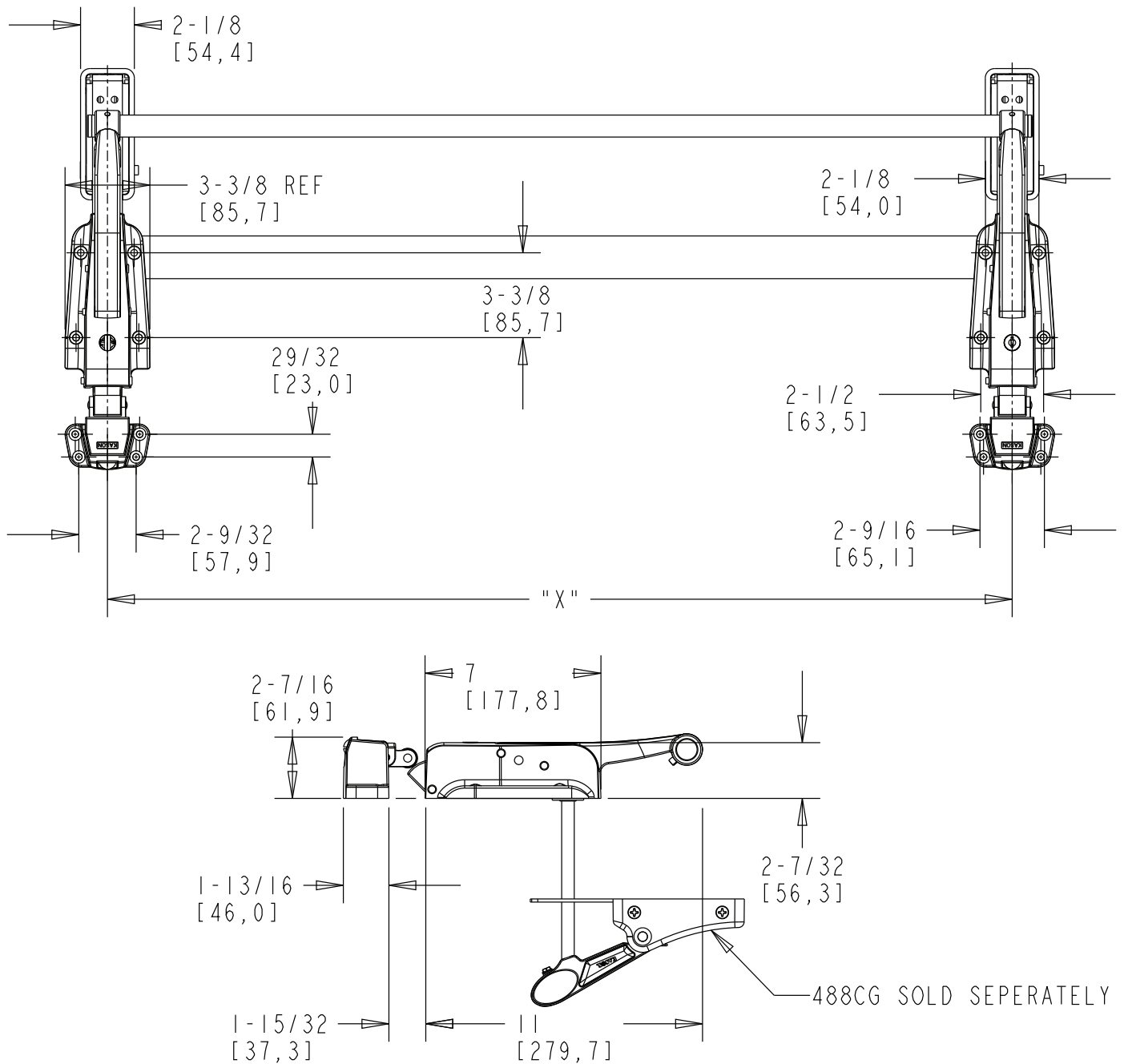
See [0078 SafeGuard® Radial Latch](#) for more details.

DESIGN CRITERIA

- Cycle tested to 250,000 open/close cycles minimum
- Designed to work exclusively with the 0488CG (sold separately)
- Fasten using 1/4" (6.4 mm) flat or oval head screws
- Padlock using 5/16" (7.9 mm) diameter shank Master 1-LJ Standard Lock or equivalent
- **Temperature Range:** -20° to 150°F (-29°C to 66°C)

7888 Two-Point Latch with 0488CG Vertical Push Bar Inside Release

Part Number: 17888*



Part No.	Description	Offset	Width "X"	Finish
17888CL3602	Latch, Stainless Steel, 0779 Strike, 36" Cylinder	-1/8" to 3/4" (3.2 to 19.1 mm)	36" (914.4 mm)	Satin
17888CL3644	Latch, 0056 Strike, 36" Cylinder	-1/8" to 3/4" (3.2 to 19.1 mm)	36" (914.4 mm)	Chrome
17888L36002	Latch, Stainless Steel, 0779 Strike, 36" Padlock	-1/8" to 3/4" (3.2 to 19.1 mm)	36" (914.4 mm)	Satin
17888L50012	Latch, Stainless Steel, 0779 Strike, 50" Padlock	3/4" to 1-5/8" (19.1 to 41.3 mm)	50" (1270 mm)	Satin

Note: Other finishes, 30 spacing, strikes, and cylinder combinations available.